

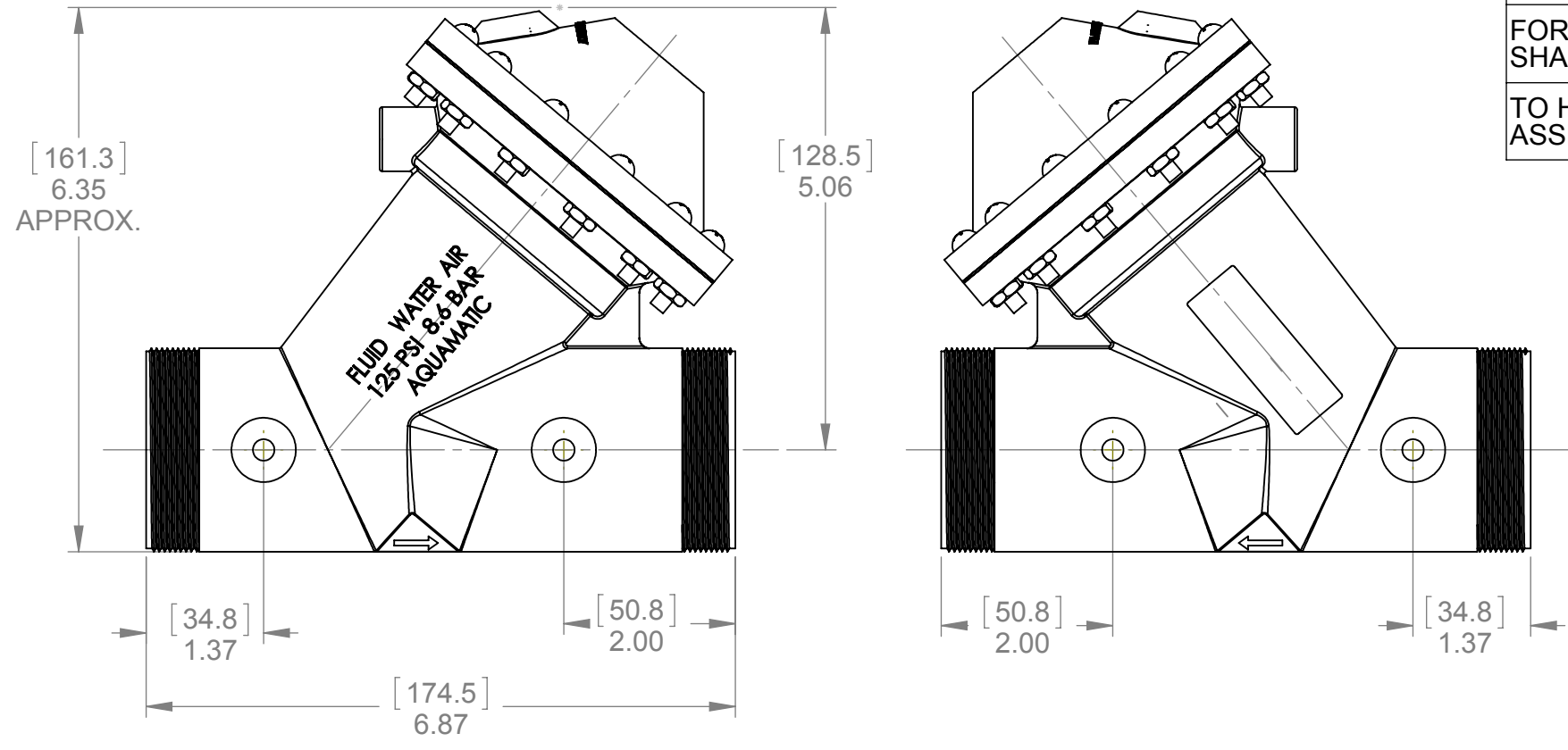
5

4

3

2

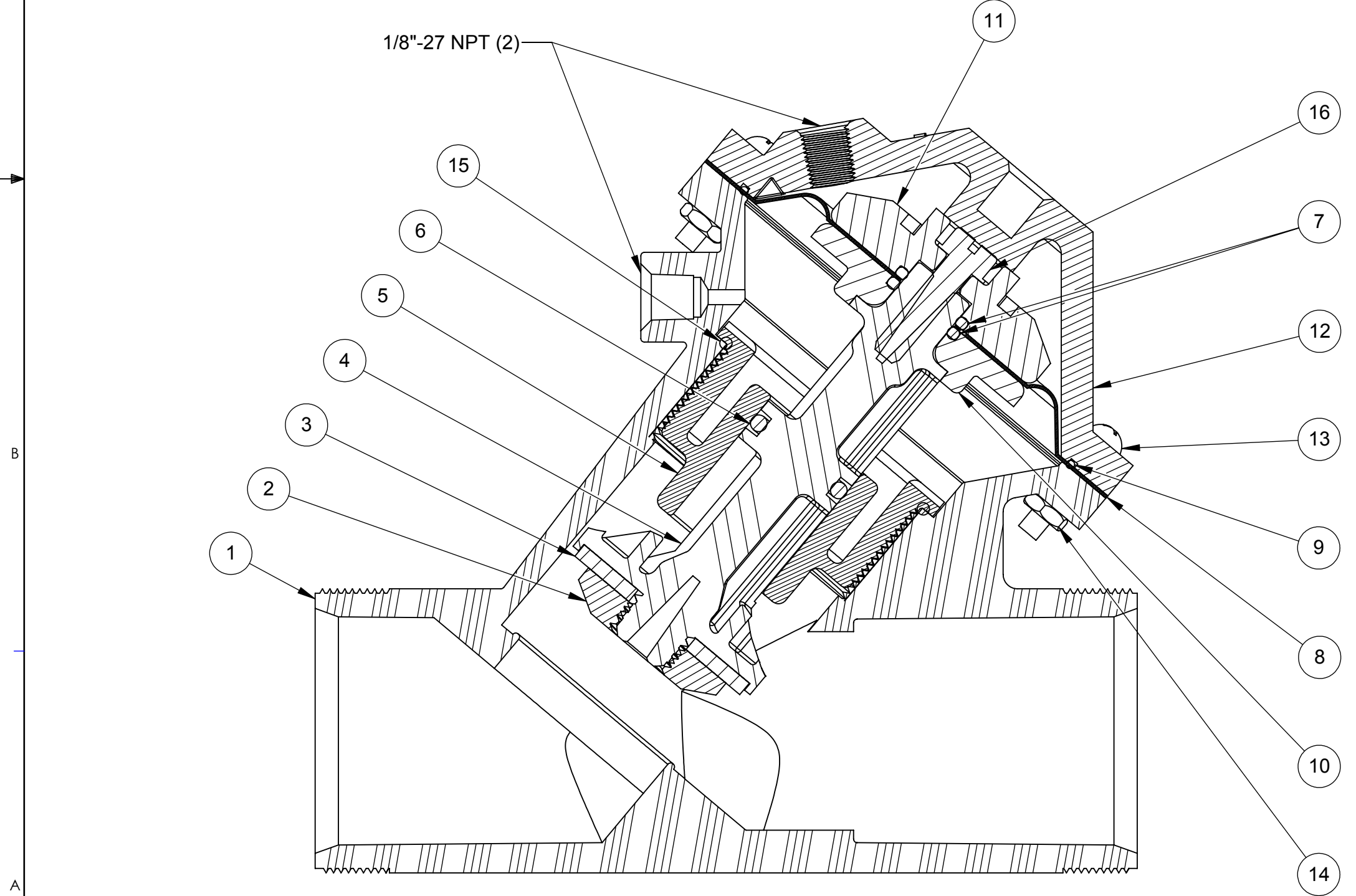
1



ASSEMBLY TOOLS	
DESCRIPTION	PART NO.
FOR INSTALLATION & REMOVAL OF SHAFT GUIDE (ITEM #5)	1075143 (524-Z)
TO HOLD SHAFT (ITEM #4) DURING ASSEMBLY/ DISASSEMBLY	1077837

REVISIONS					
ZONE	ECN	REV.	DESCRIPTION	DATE	APP'D
	101699	J	REDRAWN IN SOLIDWORKS, DWG # NOW SAME AS FORM #	14MAR14	TJM
	1001	K	AQ Matic update & verified part numbers	17JAN17	MGS

ITEM NO.	DESCRIPTION	PART NUMBER	QTY.
1	BODY, VALVE 524	1075079	1
2	PLATE, DISC, 524	1076198	1
3	DISC	EPDM 1075107	1
		BUTYL 1075108	
		FKM 1075109	
4	SHAFT, 524	1076205	1
5	GUIDE, SHAFT, 524	1075106	1
6	O-RING, 2-210	EPDM 1242718	1
		BUTYL 1071776	
		FKM 1242394	
7	O-RING, 2-113	EPDM 1071728	2
8	DIAPHRAGM, 524	BUNA 1078393	1
		FKM 1075105	
9	O-RING, 2-043	BUNA 1071686	1
10	PLATE, DIAPHRAGM, LOWER, 524	1076197	1
11	PLATE, DIAPHRAGM, UPPER, 524	43041	1
12	CAP, 524, VALVE	1075086	1
13	SCREW, ROUND HEAD 10-32	1072381	12
14	HEX NUT, 10-32	SS 1071648	12
		EPDM 1071735	
		BUTYL 1071771	
15	O-RING, 2-137	BUTYL 1071771	1
		FKM 1071807	
16	SCREW, CUTTING 1/4" TYPE BT	1077101	1



REPAIR PARTS KITS		
DESCRIPTION	PART NO.	
DIAPHRAGM & SEALS KIT CONSISTS OF ITEM NO'S 3,6,7,8,9,15	1070274 (524-RAN) E.P.D.M. INCLUDES DIAPHRAGM 1075104 (524-FB)	1077592 (524-RAJN) BUTYL INCLUDES DIAPHRAGM 1075104 (524-FB)
	1070290 (524-RAVN) VITON INCLUDES DIAPHRAGM 1075104 (524-FB)	1077593 (524-RAVFN) VITON INCLUDES DIAPHRAGM 1075105 (524-FV)
INT. PARTS KIT (NORM. OPEN) CONSISTS OF ITEM NO'S 2,4,5,10,11,16	1070298 (K524-RFN)	

SEE FORM 1078142 FOR UNION END CONNECTORS AND GROOVED ADAPTORS

SEE FORM 1078152 FOR SOCKET WELD ENDS AND FLANGED ADAPTORS

SEE REVERSE SIDE FOR CONFIGURATION OPTIONS

1070168 (K524-X200-14000)
NORMALLY OPEN (STANDARD)

COMPONENTS / ASSEMBLIES TO BE COMPLIANT AND COMPATIBLE WITH EUROPEAN UNION DIRECTIVE 2011/65/EEC (RoHS2) & REGULATION (EC)1907/2006 (REACH) REQUIREMENTS

THIS DOCUMENT IS SOLELY THE PROPERTY OF AQ Matic VALVE & CONTROLS COMPANY INC. REPRODUCTION, USE DISCLOSURE, OR TRANSMISSION OF THIS DOCUMENT OR DETAILS CONTAINED HEREIN, IN PART OR IN WHOLE, IS PROHIBITED WITHOUT THE WRITTEN CONSENT OF AQ Matic ENGINEERING. THIS DOCUMENT AND ANY COPIES SHALL BE RETURNED TO AQ Matic UPON REQUEST.

DO NOT SCALE DRAWING. DIMS. ARE IN INCHES [mm] INTERPRET DIMS AND TOLERANCES PER ASME Y14.5M -2009 UNLESS OTHERWISE SPECIFIED. ALL FINISHED MACHINED SURFACES 125 ✓ OR BETTER. TOLERANCES:
ANGLES: ± 1°
1 PLACE .X: ± .015 [0.38]
2 PLACE .XX: ± .01 [0.3]
3 PLACE .XXX: ± .005 [0.13]

THIRD ANGLE PROJECTION	APPROVALS	DATE	 AQ Matic Valve & Controls Company Inc.
	DRAWN	02-28-13	
	APPROVED		
	CHECKED		

TITLE		
CATALOG SHEET, 524		
DIAPHRAGM VALVE STANDARD MODEL		
SIZE	DWG NO.	REV
B	BR1077655	K
SCALE	SHEET 1 OF 2	
1:2		

5

4

3

2

1

5

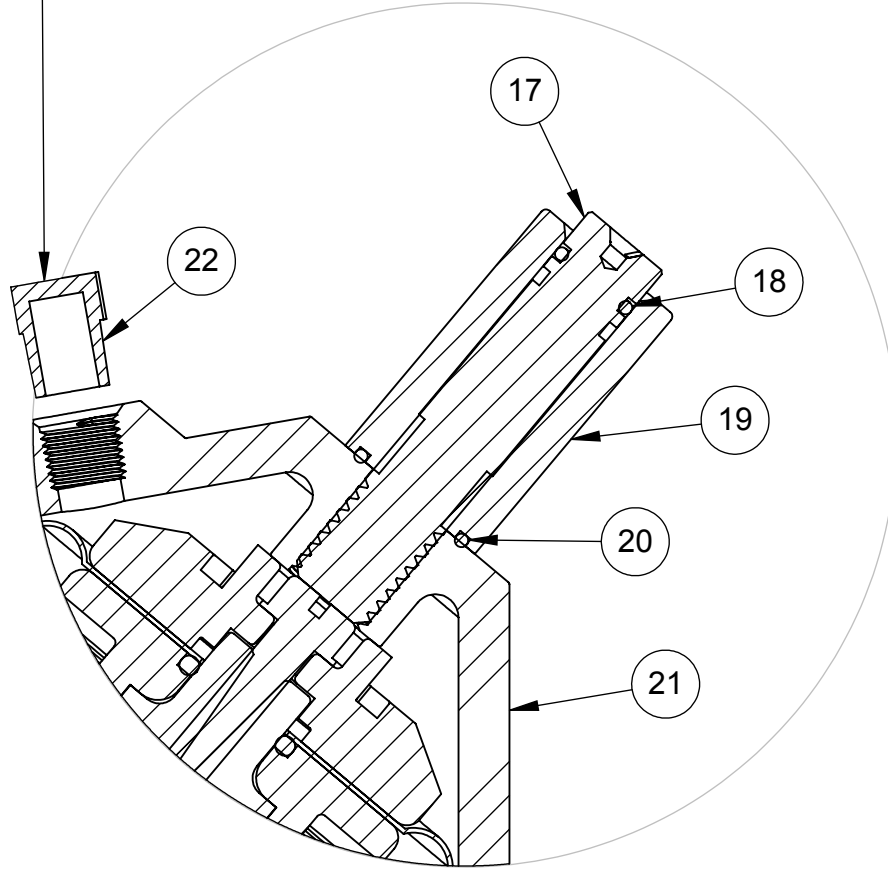
4

3

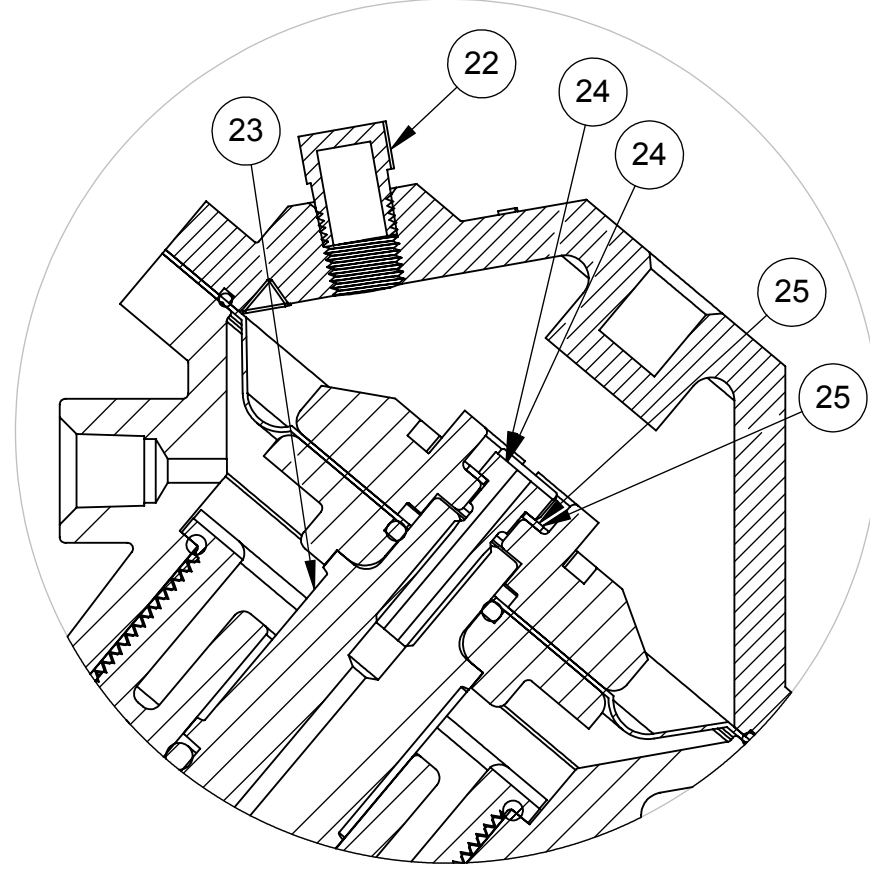
2

1

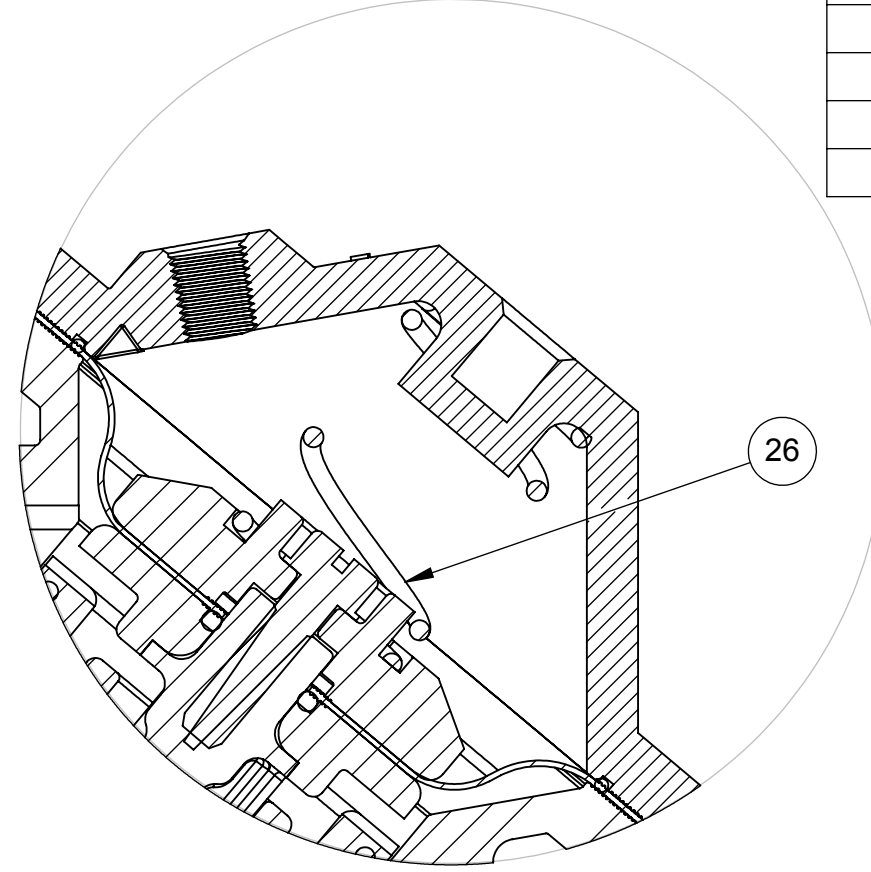
(USED WITH NORMALLY CLOSED VALVES ONLY)
(1/8" NPT)



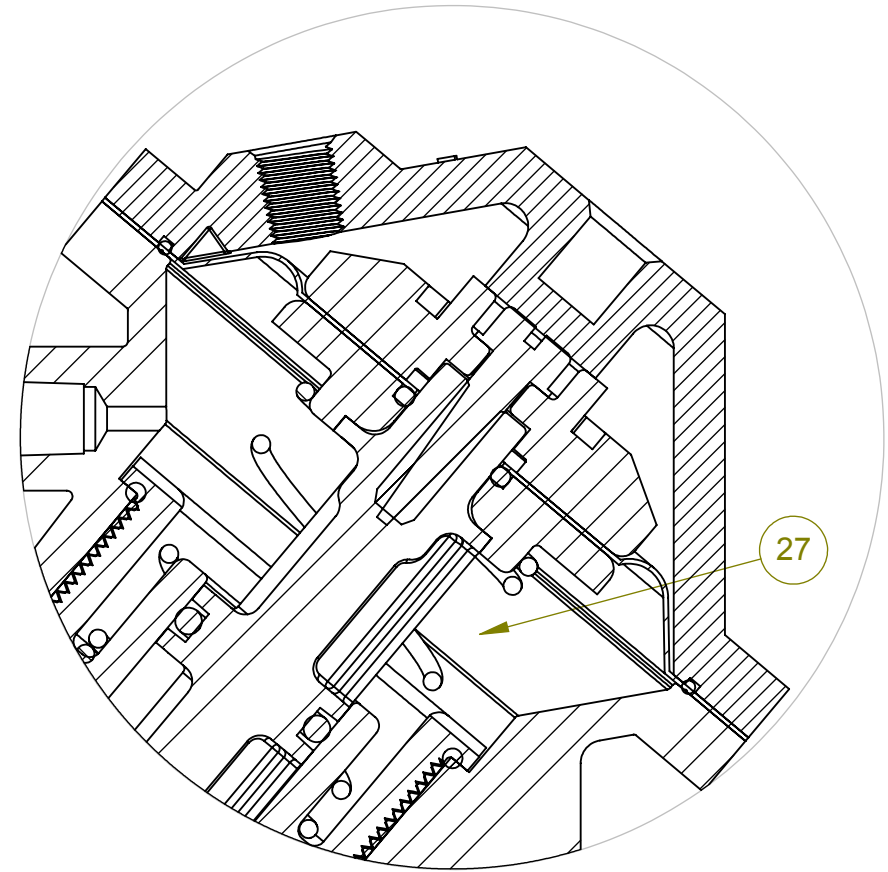
1070170 (K524-X210-14000)
LIMIT STOP



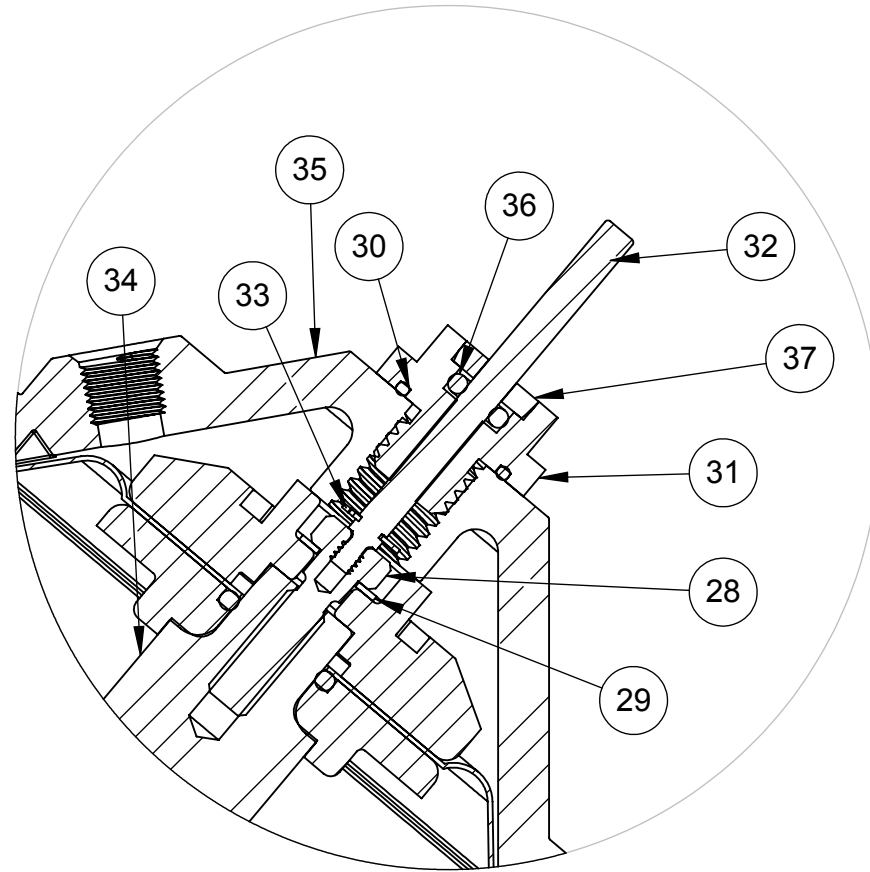
1070172 (K524-X230-14000)
NORMALLY CLOSED



1070171 (K524-X202-14000)
SPRING ASSIST CLOSED



1070169 (K524-X201-14000)
SPRING ASSIST OPEN



1071209 (K524-X221-14000)
POSITION INDICATOR

NOTE:
1. POSITION INDICATOR MODEL CANNOT BE COMBINED WITH NORMALLY CLOSED OR LIMIT STOP OPTIONS.
2. POSITION INDICATOR MODEL FURNISHED WITH SPRING ASSIST OPEN OPTION.

REVISIONS					
ZONE	ECN	REV.	DESCRIPTION	DATE	APP'D
			SEE SHEET ONE FOR LIST OF CHANGES		

LIMIT STOP MODEL			
ITEM NO.	DESCRIPTION	PART NUMBER	QTY.
17	LIMIT STOP SCREW, SS	1075142	1
18	O-RING,2-012,BUNA	1071668	1
19	LIMIT STOP NUT, SS	1075141	1
20	O-RING,2-016,BUNA	1071671	1
21	CAP, LIMIT STOP,524	1075083	1

NORMALLY CLOSED MODEL			
ITEM NO.	DESCRIPTION	PART NUMBER	QTY.
22	MALE PIPE PLUGS,	1071912	1
23	SHAFT, 524, 1/4 THD	1076238	1
24	SHAFT, SCREW,	1076204	1
25	WASHER,	1076201	1

SPRING ASSIST CLOSED MODEL			
ITEM NO.	DESCRIPTION	PART NUMBER	QTY.
26	COMPRESSION SPRING,	BR1267398	1

SPRING ASSIST OPEN MODEL			
ITEM NO.	DESCRIPTION	PART NUMBER	QTY.
27	SPRING, COMPRESSION	1078692	1

POSITION INDICATOR MODEL			
ITEM NO.	DESCRIPTION	PART NUMBER	QTY.
28	SHAFT, SCREW,	1076203	1
29	WASHER,	1076201	1
30	O-RING,2-016,BUNA	1071671	1
31	GUIDE HOUSING,	1075038	1
32	ROD, POS. INDICATOR, (SRS 524)	1076199	1
33	E-RING, RETAINING	1076200	1
34	SHAFT, POS INDICATOR, 524	1076239	1
35	CAP, LIMIT STOP,524	1075083	1
36	O-RING,2-106,BUNA	1071687	1
37	PLUG, GUIDE HOUSING, 520	1074971	1

SEE FORM 1078142 FOR UNION END CONNECTORS AND GROOVED ADAPTERS

SEE FORM 1078152 FOR SOCKET WELD ENDS AND FLANGED ADAPTORS

SEE REVERSE SIDE FOR STANDARD NORMALLY OPEN MODEL


CONVERSION KITS	
DESCRIPTION	PART NO.
CONVERSION KIT (LIMIT STOP) CONSISTS OF ITEM NO'S 17 THRU 21	1071161 (524-LSC)
CONVERSION KIT (SPRING ASSIST CLOSED) CONSISTS OF ITEM NO. 26	1075125 (524-SO)
CONVERSION KIT (SPRING ASSIST OPEN) CONSISTS OF ITEM NO. 27	1075125 (524-SO)
CONVERSION KIT (POSITION INDICATOR) CONSISTS OF ITEM NO'S 28 THRU 37	1071161 (524-PICN)

REPAIR PARTS KITS	
DESCRIPTION	PART NO.
INT. PARTS KIT (LIMIT STOP) CONSISTS OF ITEM NO'S 17 THRU 20	1075111 (524-LS)
INT. PARTS KIT (NORM. CLOSED) CONSISTS OF ITEM NO'S 2,5,10,11,23,24,25	1076307 (524-RGN)
INT. PARTS KIT (SPRING ASSIST CLOSED) CONSISTS OF ITEM NO. 26	1075124 (524-SC)
INT. PARTS KIT (SPRING ASSIST OPEN) CONSISTS OF ITEM NO. 27	1075125 (524-SO)
INT. PARTS KIT (POSITION INDICATOR) CONSISTS OF ITEM NO'S 28 THRU 37	1077591 (524-PIN)

COMPONENTS / ASSEMBLIES TO BE COMPLIANT AND COMPATIBLE WITH EUROPEAN UNION DIRECTIVE 2011/65/EEC (RoHS2) & REGULATION (EC)1907/2006 (REACH) REQUIREMENTS

THIS DOCUMENT IS SOLELY THE PROPERTY OF AQ Matic VALVE & CONTROLS COMPANY INC. REPRODUCTION, USE, DISCLOSURE, OR TRANSMISSION OF THIS DOCUMENT OR DETAILS CONTAINED HEREIN, IN PART OR IN WHOLE, IS PROHIBITED WITHOUT THE WRITTEN CONSENT OF AQ Matic ENGINEERING. THIS DOCUMENT AND ANY COPIES SHALL BE RETURNED TO AQ Matic UPON REQUEST.

DO NOT SCALE DRAWING. DIMS. ARE IN INCHES [mm]
INTERPRET DIMS AND TOLERANCES PER ASME Y14.5M -2009 UNLESS OTHERWISE SPECIFIED:
ALL FINISHED MACHINED SURFACES 125 √ OR BETTER.
TOLERANCES:
ANGLES: ± 1°
1 PLACE .X: ± .015 [0.38]
2 PLACE .XX: ± .01 [0.3]
3 PLACE .XXX: ± .005 [0.13]

THIRD ANGLE PROJECTION	APPROVALS	DATE	 AQ Matic Valve & Controls Company Inc.
	DRAWN	02-28-13	
	APPROVED		
	CHECKED		

TITLE: CATALOG SHEET, 524
DIAPHRAGM VALVE STANDARD MODEL

SIZE: **B** DWG NO.: **BR1077655** REV: **K**

SCALE: 1:2 SHEET 2 OF 2