

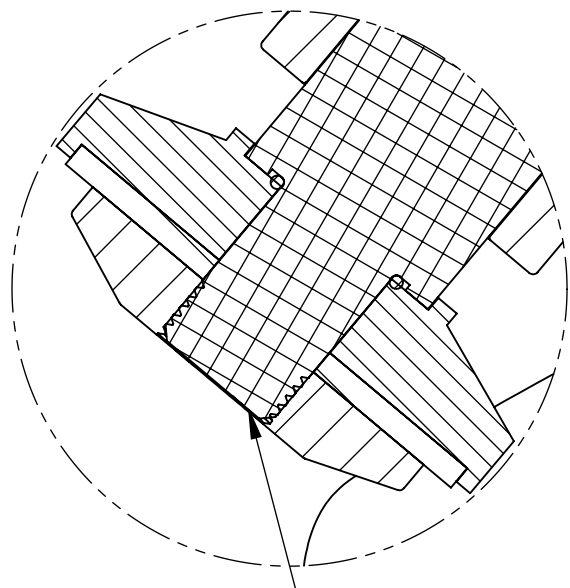
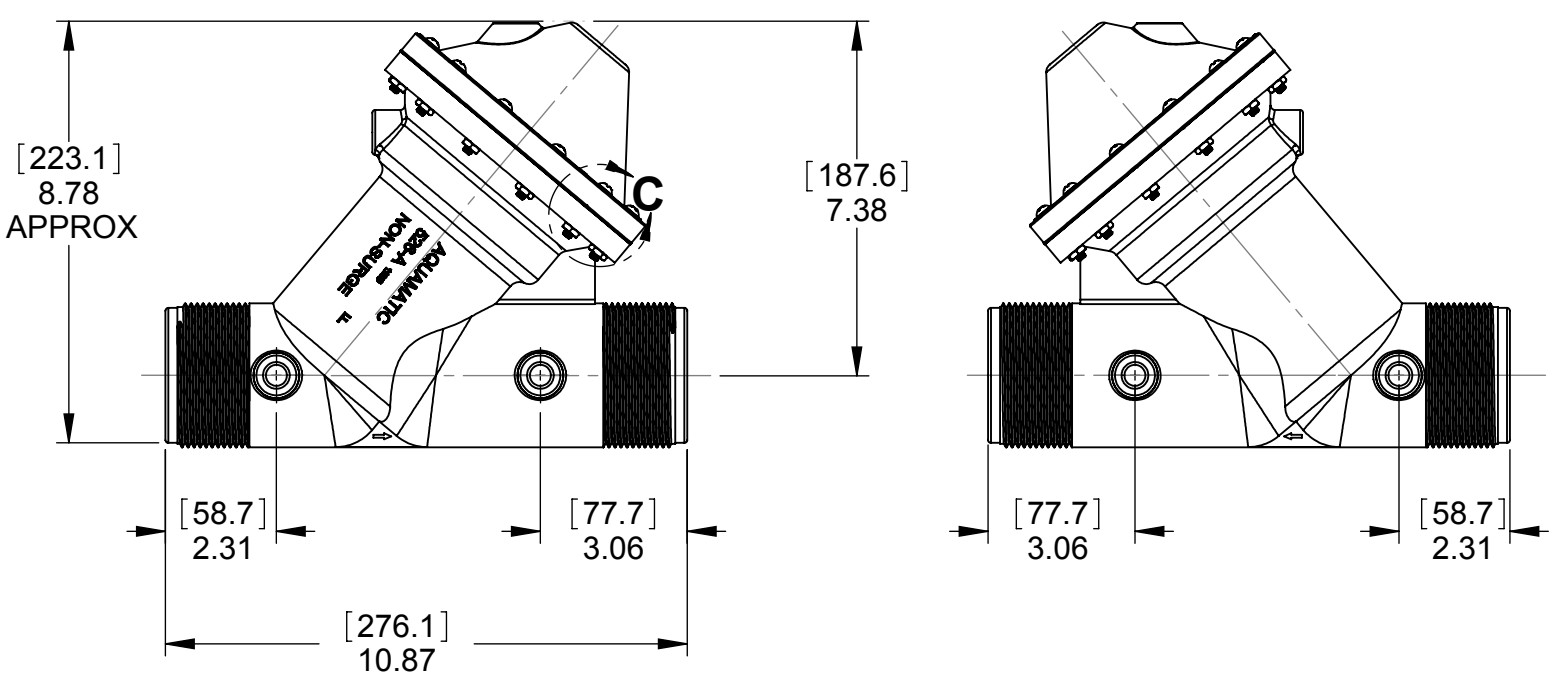
5

4

3

2

1

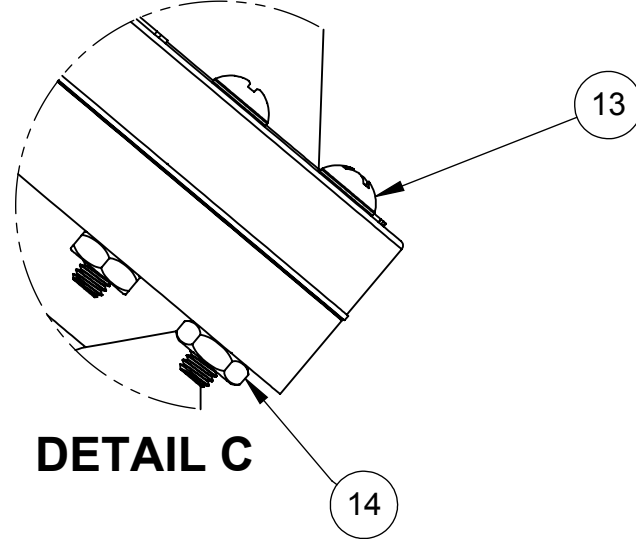
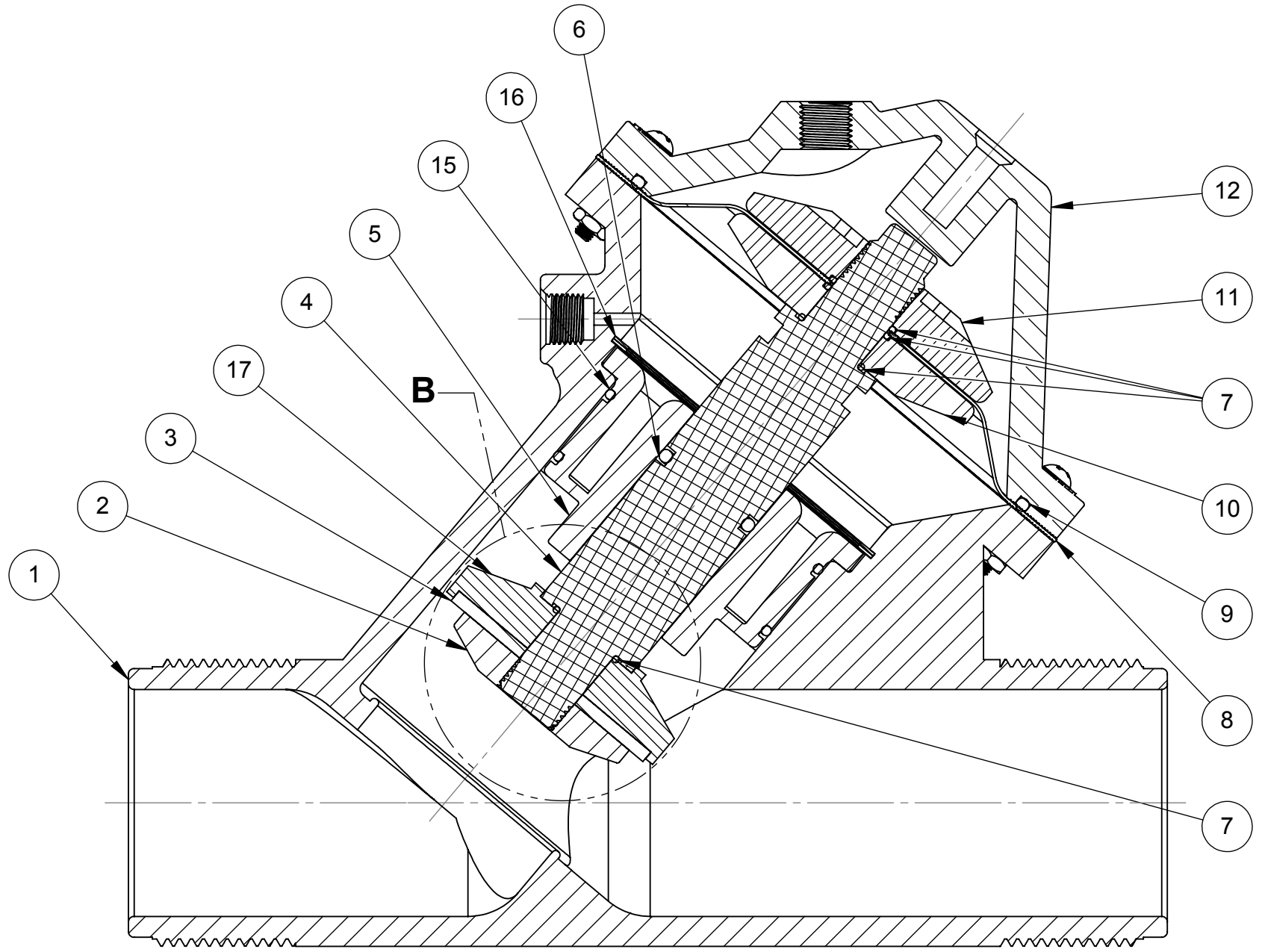


DETAIL B

DISC NUT/SHAFT TO BE FLUSH AFTER COMPONENTS ARE TIGHTENED TO 20-25 IN-LB [2.3-2.8 Nm]

ASSEMBLY TOOLS

DESCRIPTION	PART NO.
FOR INSTALLATION & REMOVAL OF SHAFT (ITEM #4) (TOOL NOT SHOWN)	<u>1077837</u>
FOR INSTALLATION & REMOVAL OF UPPER DIAPHRAGM PALTE (ITEM #11) (TOOL NOT SHOWN)	<u>1075224 (526-Z)</u>



DETAIL C

REVISIONS					
ZONE	ECN	REV.	DESCRIPTION	DATE	APP'D
	30243	K	REDRAWN IN SOLIDWORKS WITHOUT ANY CHANGES	8/13/10	MHM
	100401	L	1- WAS: 1075174,-NOW:43051 2-REM'D:1075172 NORYL SHAFT	30MAR12	TJM
	101856	M	1-WAS 1071746- NOW: 1010140	03-19-13	TJM
	103884	N	ITEM # 31- WAS 1074970, 2- UPDATED TITLE BLOCK	16OCT14	TJM
	1001	O	AQ Matic update & verified part numbers	17JAN17	MGS

NO.	DESCRIPTION	PART NO.	QTY.
1	BODY	1075162 (526-AK)	1
2	DISC PLATE	1075176 (526-EK)	1
3	DISC	E.P.D.M.	1075181 (526-J)
		BUTYL	1075182 (526-JJ)
		FKM	1075183 (526-JV)
4	SHAFT	PVC	43119
5	SHAFT GUIDE	1075178 (526-GK)	1
6	O-RING	E.P.D.M.	1010140
		BUTYL	1071778 (ORJ-214)
		FKM	1071817 (ORV-214)
7	O-RING	E.P.D.M.	1071673 (ORE-018)
		BUTYL	1071762 (ORJ-018)
		FKM	1071790 (ORV-018)
8	DIAPHRAGM	BUNA N	1075177 (526-FB)
9	O-RING	BUNA N	1071713 (ORB-251)
10	LWR DIA. PLATE	43051	1
11	UPR DIA. PLATE	43050	1
12	CAP	1075167 (526-BOK)	1
13	RD. HD. MACH. SCR.	1072382 (SCS-0098)	12
14	HEX NUT	1071648 (NUS-0006)	12
15	O-RING	ETH. PROP.	1071738 (ORE-148)
		BUTYL	1071773 (ORJ-148)
		FKM	1071810 (ORV-148)
16	RATANING RING	1075180 (526-HA)	1
17	DISC HOLDER	PVC	1075197 (526-RP)

REPAIR PARTS KITS

DIAPHRAGM & SEALS KIT CONSISTS OF ITEM NO'S 3,6,7(4),8,9,15(2)	1070275 (526-RA) EPDM INCLUDES DIAPHRAGM 1075177 (526-FB)	1070283 (526-RAJ) BUTYL INCLUDES DIAPHRAGM 1075177 (526-FB)
	1070291 (526-RAV) FKM INCLUDES DIAPHRAGM 1075177 (526-FB)	
INT. PARTS KIT (NORM. OPEN) CONSISTS OF ITEM NO'S 2,4,5,10,11,17	1070299 (K526-RF)	

SEE FORM 1078152 FOR SOCKET WELD ENDS AND FLANGED ADAPTORS

SEE REVERSE SIDE FOR CONFIGURATION OPTIONS.

**1070180 (K526-X200-14000)
NORMALLY OPEN (STANDARD)**

COMPONENTS / ASSEMBLIES TO BE COMPLIANT AND COMPATIBLE WITH EUROPEAN UNION DIRECTIVE 2011/65/EEC (ROHS2) & REGULATION (EC)1907/2006 (REACH) REQUIREMENTS

THIS DOCUMENT IS SOLELY THE PROPERTY OF AQ Matic VALVE & CONTROLS COMPANY INC. REPRODUCTION, USE, DISCLOSURE, OR TRANSMISSION OF THIS DOCUMENT OR DETAILS CONTAINED HEREIN, IN PART OR IN WHOLE, IS PROHIBITED WITHOUT THE WRITTEN CONSENT OF AQ Matic ENGINEERING. THIS DOCUMENT AND ANY COPIES SHALL BE RETURNED TO AQ Matic UPON REQUEST.

DO NOT SCALE DRAWING. DIMS. ARE IN INCHES [mm] INTERPRET DIMS AND TOLERANCES PER ASME Y14.5M-2009 UNLESS OTHERWISE SPECIFIED.
ALL FINISHED MACHINED SURFACES 125 √ OR BETTER.
TOLERANCES:
ANGLES: ± 1°
1 PLACE .X: ± .015 [0.38]
2 PLACE .XX: ± .01 [0.3]
3 PLACE .XXX: ± .005 [0.13]

THIRD ANGLE PROJECTION		AQ Matic Valve & Controls Company Inc.	
APPROVALS	DATE	TITLE	
DRAWN		CATALOG SHEET, 526 DIAPHRAGM VALVE	
APPROVED		SIZE B	DWG NO. BR1077656
CHECKED		SCALE 1:1	REV O
		SHEET 1 OF 2	

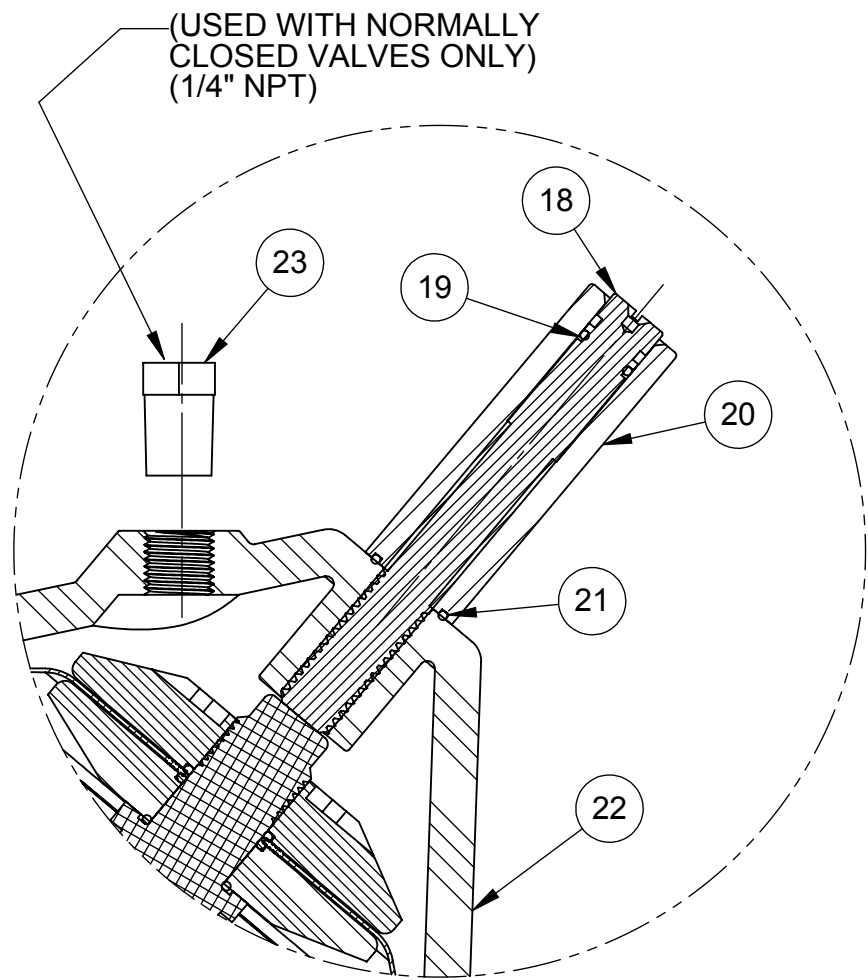
5

4

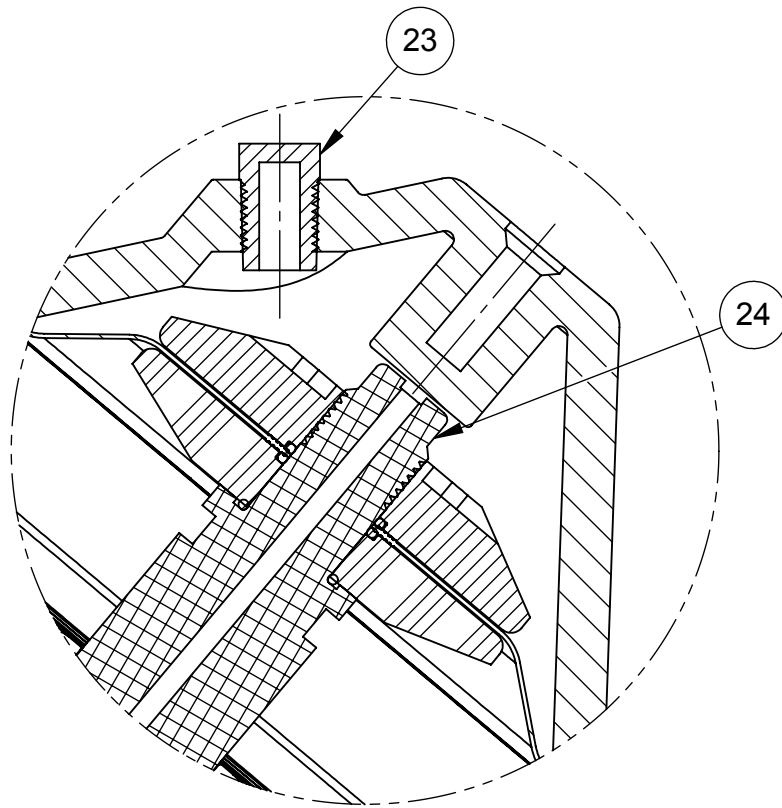
3

2

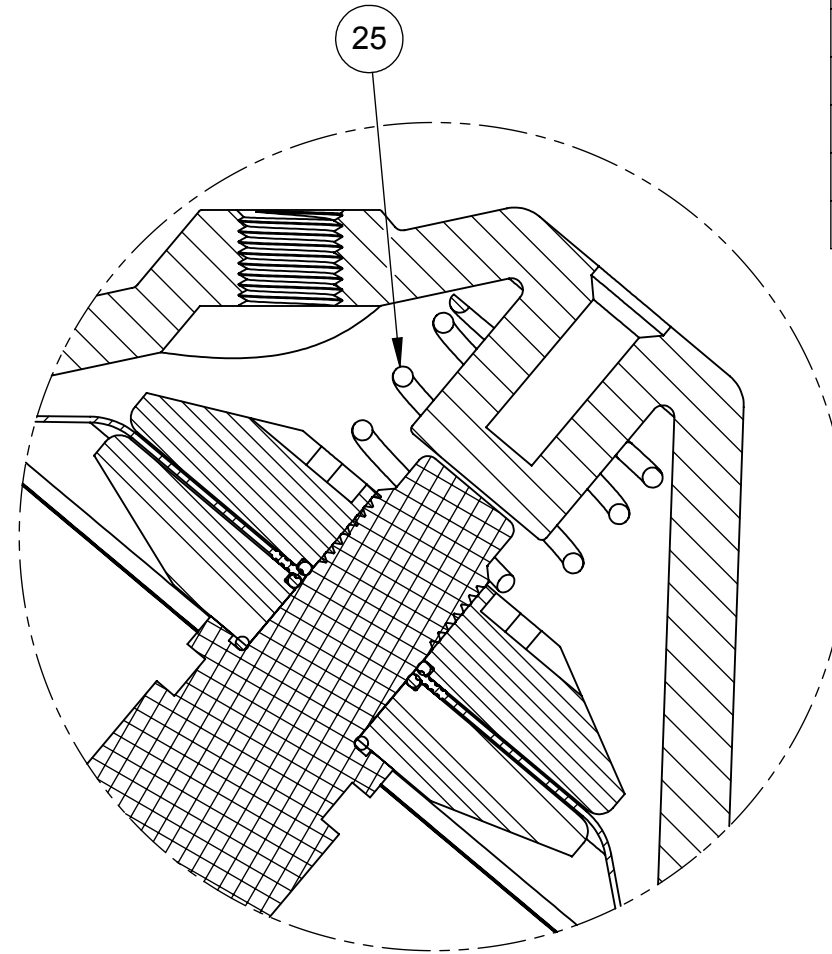
1



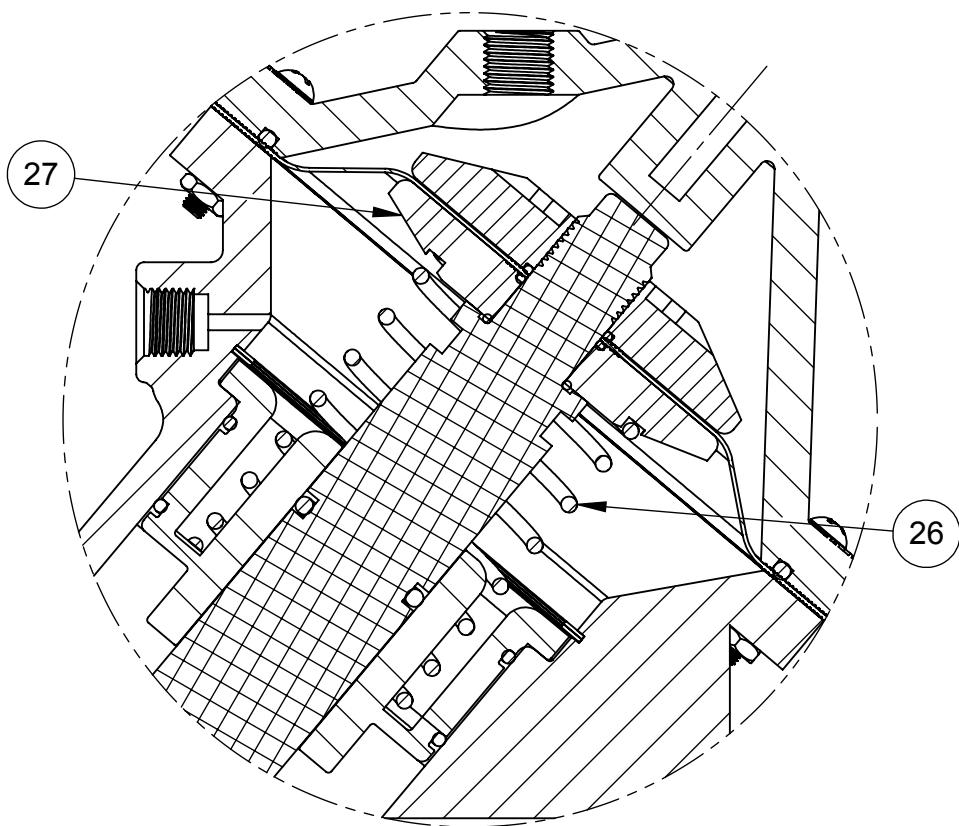
**1070181 (K526-X210-14000)
LIMIT STOP**



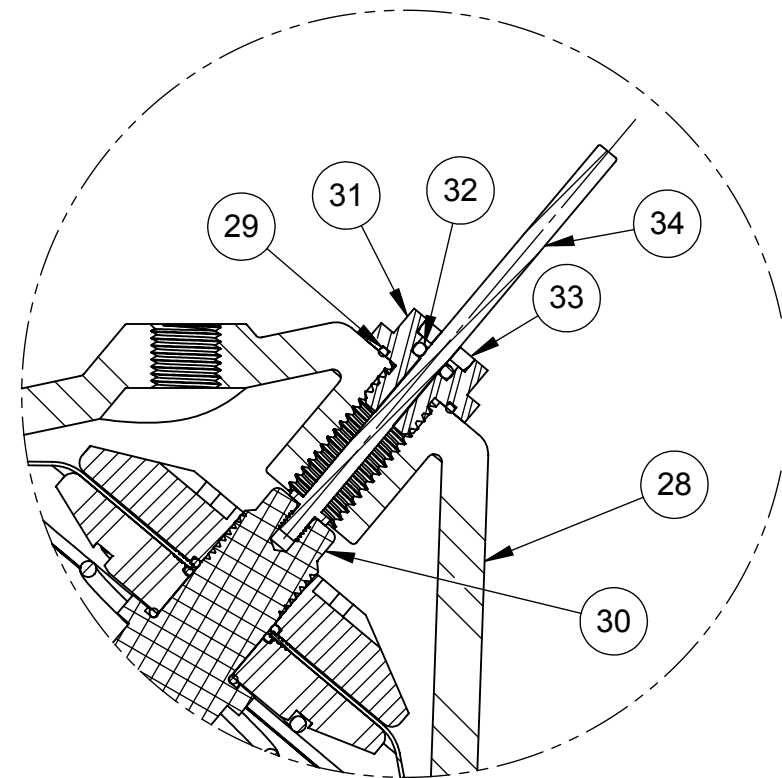
**1071256 (K526-X230-14000)
NORMALLY CLOSED**



**1071246 (K526-X202-14000)
SPRING ASSIST CLOSED**



**1071242 (K526-X201-14000)
SPRING ASSIST OPEN**



**1071255 (K526-X221-14000)
POSITION INDICATOR**

REVISIONS					
ZONE	ECN	REV.	DESCRIPTION	DATE	APP'D
			SEE SHEET 1 FOR LIST OF CHANGES		

LIMIT STOP MODEL			
ITEM NO.	DESCRIPTION	PART NUMBER	QTY.
18	LIMIT STOP SCREW, SS	1075223	1
19	O-RING,2-012,BUNA	1071668	1
20	LIMIT STOP NUT, SS	1075222	1
21	O-RING,2-016,BUNA	1071671	1
22	CAP, LIMIT STOP	1075165	1

NORMALLY CLOSED MODEL			
ITEM NO.	DESCRIPTION	PART NUMBER	QTY.
23	MALE PIPE PLUGS,	1071913	1
24	SHAFT, VALVE, 526, NORMALLY CLSD	43143	1

SPRING ASSIST CLOSED MODEL			
ITEM NO.	DESCRIPTION	PART NUMBER	QTY.
25	SPRING, CONICAL	1075202	1

SPRING ASSIST OPEN MODEL			
ITEM NO.	DESCRIPTION	PART NUMBER	QTY.
26	SPRING, COMPRESSION	1267399	1
27	PLATE, DIAPHRAGM, 526, SA, LOWER	1075175	1

POSITION INDICATOR MODEL			
ITEM NO.	DESCRIPTION	PART NUMBER	QTY.
28	CAP, LIMIT STOP	1075165	1
29	O-RING, 2-016, BUNA	1071671	1
30	SHAFT, VALVE, 526, POSITION INDCT	43142	1
31	GUIDE HOUSING,	1075038	1
32	O-RING, 2-106, BUNA	1071687	1
33	PLUG, GUIDE HOUSING, 520	1074971	1
34	ROD, POSITION INDICATOR, 526	1075184	1

NOTE:

1. POSITION INDICATOR MODEL CANNOT BE COMBINED WITH NORMALLY CLOSED OR LIMIT STOP OPTIONS.
2. POSITION INDICATOR MODEL FURNISHED WITH SPRING ASSIST OPEN OPTION.

REPAIR PARTS KITS	
DESCRIPTION	PART NO.
INT. PARTS KIT (LIMIT STOP) CONSISTS OF NO'S 18 THRU 21	1075191 (526-LS)
INT. PARTS KIT (NORM. CLOSED) CONSISTS OF ITEM NO'S 2,5,10,11,17, 24	1071226 (K526-RG)
INT. PARTS KIT (SPRING ASSIST CLOSED) CONSISTS OF ITEM NO. 25	1075200 (526-SC)
INT. PARTS KIT (SPRING ASSIST OPEN) CONSISTS OF ITEM NO'S 26 & 27	1071227 (526-SO)
INT. PARTS KIT (POSITION INDICATOR) CONSISTS OF ITEM NO'S 29 THRU 34	1081804 (526-PI)

CONVERSION KITS	
DESCRIPTION	PART NO.
CONVERSION KIT (LIMIT STOP) CONSISTS OF ITEM NO'S 18 THRU 22	1071225 (526-LSC)
CONVERSION KIT (SPRING ASSIST CLOSED) CONSISTS OF ITEM NO 25	1075200 (526-SC)
CONVERSION KIT (SPRING ASSIST OPEN) CONSISTS OF ITEM NO'S 26 & 27	1071227 (526-SO)
CONVERSION KIT (POSITION INDICATOR) CONSISTS OF ITEM NO'S 28 THRU 34	1079674 (K526-PIC)

SEE FORM 1078152 FOR SOCKET WELD ENDS AND FLANGED ADAPTORS.

SEE REVERSE SIDE FOR STANDARD NORMALLY OPEN MODEL.

COMPONENTS / ASSEMBLIES TO BE COMPLIANT AND COMPATIBLE WITH EUROPEAN UNION DIRECTIVE 2011/65/EEC (RoHS2) & REGULATION (EC)1907/2006 (REACH) REQUIREMENTS

THIS DOCUMENT IS SOLELY THE PROPERTY OF AQ Matic VALVE & CONTROLS COMPANY INC. REPRODUCTION, USE, DISCLOSURE, OR TRANSMISSION OF THIS DOCUMENT OR DETAILS CONTAINED HEREIN, IN PART OR IN WHOLE, IS PROHIBITED WITHOUT THE WRITTEN CONSENT OF AQ Matic ENGINEERING. THIS DOCUMENT AND ANY COPIES SHALL BE RETURNED TO AQ Matic UPON REQUEST.

DO NOT SCALE DRAWING. DIMS. ARE IN INCHES [mm]
 INTERPRET DIMS AND TOLERANCES PER ASME Y14.5M -2009
 UNLESS OTHERWISE SPECIFIED:
 ALL FINISHED MACHINED SURFACES 125 ✓ OR BETTER.
 TOLERANCES:
 ANGLES: ± 1°
 1 PLACE .X: ± .015 [0.38]
 2 PLACE .XX: ± .01 [0.3]
 3 PLACE .XXX: ± .005 [0.13]

THIRD ANGLE PROJECTION	APPROVALS	DATE	 AQ Matic Valve & Controls Company Inc.
	DRAWN		
	APPROVED		
	CHECKED		

TITLE		
CATALOG SHEET, 526 DIAPHRAGM VALVE		
SIZE	DWG NO.	REV
B	BR1077656	O
SCALE	SHEET 2 OF 2	
1:1		