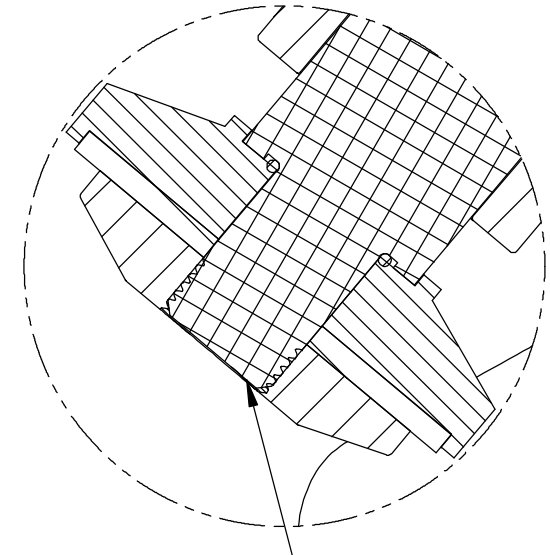
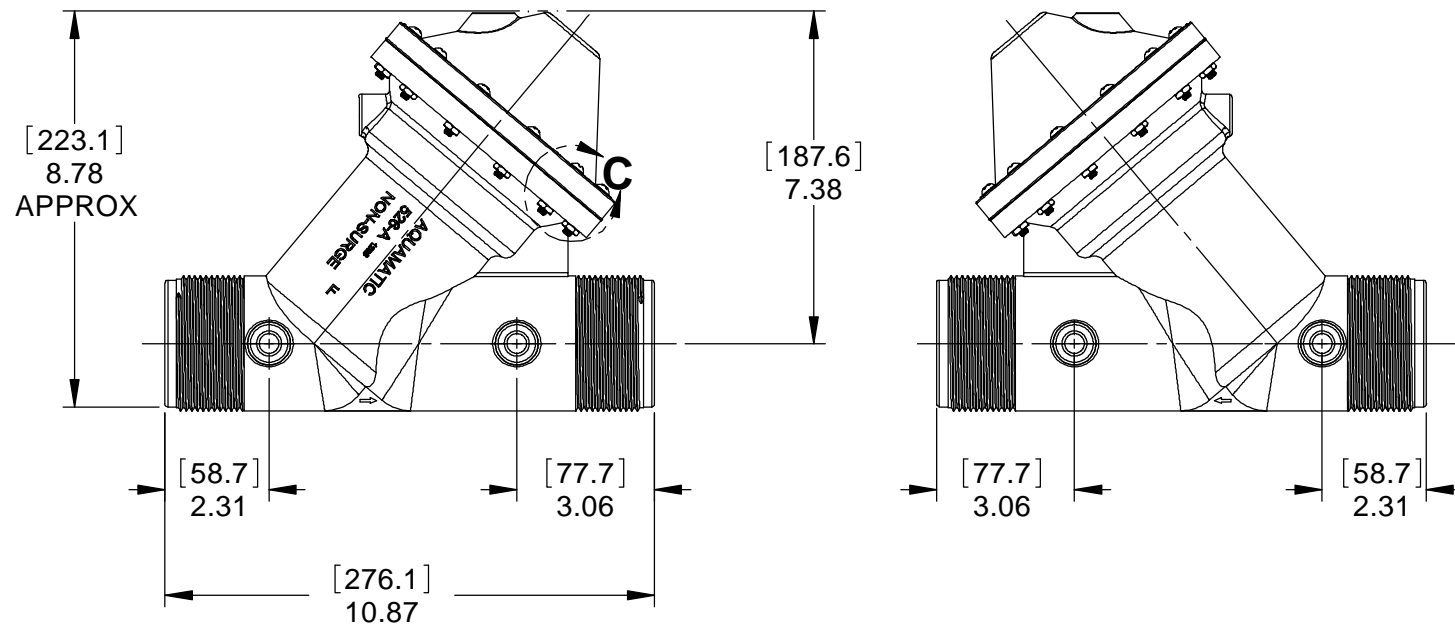


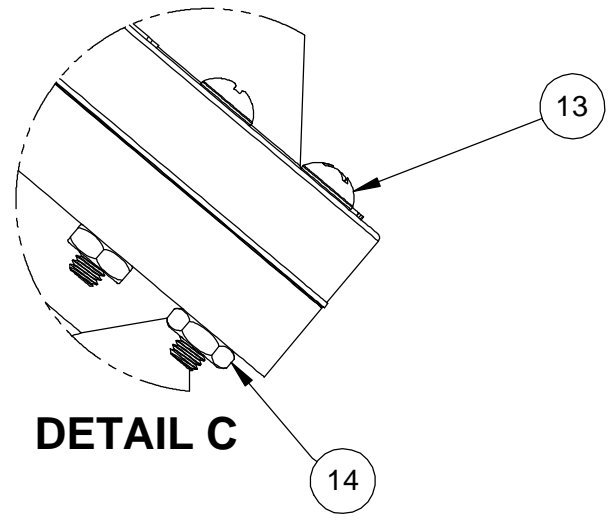
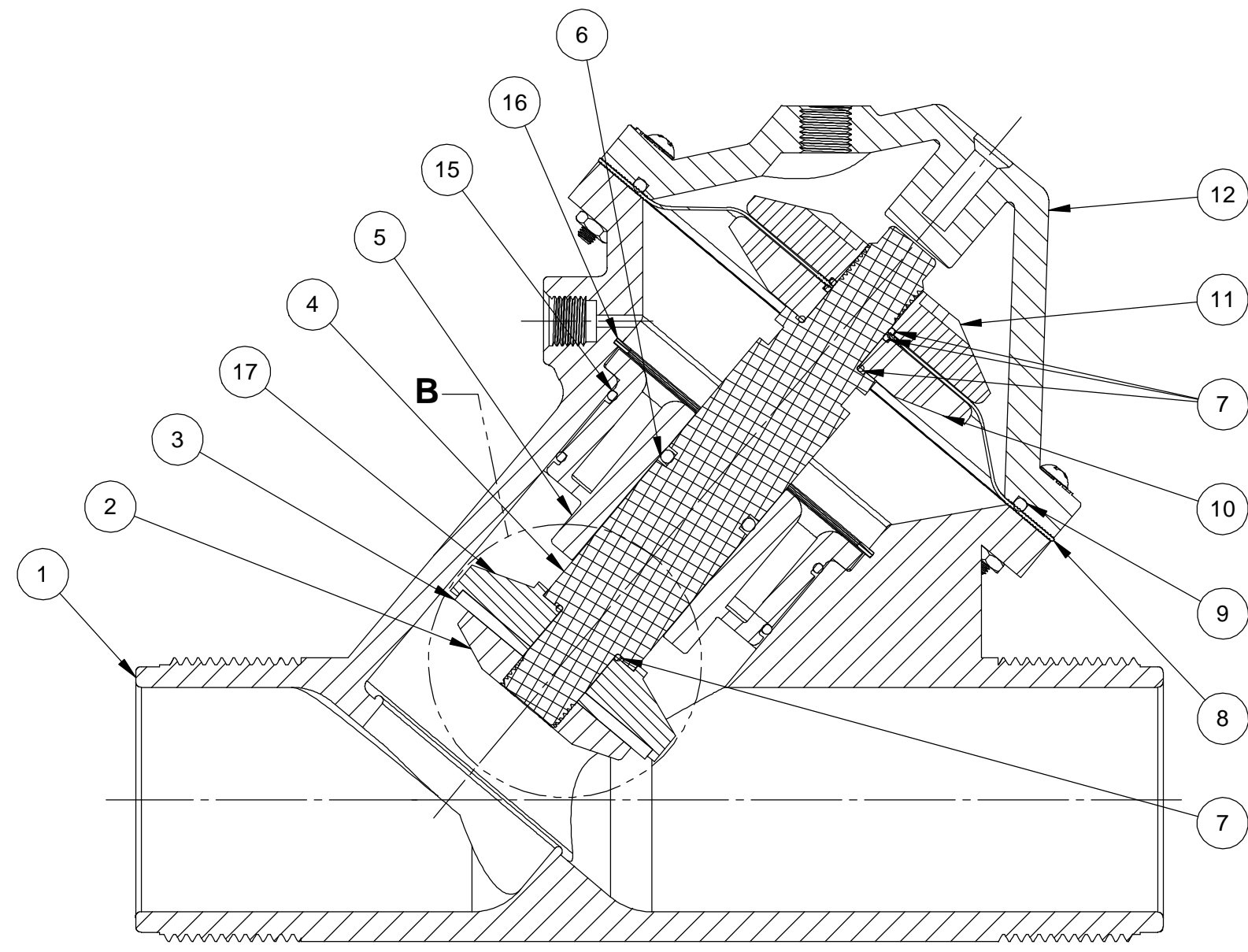
REVISIONS					
ZONE	ECN	REV.	DESCRIPTION	DATE	APPD
	30243	K	REDRAWN IN SOLIDWORKS WITHOUT ANY CHANGES	8/13/10	MHM
	100401	L	1- WAS: 1075174,-NOW:43051 2-REM'D:1075172 NORYL SHAFT	30MAR12	TJM
	101856	M	1-WAS 1071746- NOW: 1010140	03-19-13	TJM
	103884	N	ITEM # 31- WAS 1074970, 2- UPDATED TITLE BLOCK	16OCT14	TJM

NO.	DESCRIPTION	PART NO.	QTY.
1	BODY	1075162 (526-AK)	1
2	DISC PLATE	1075176 (526-EK)	1
3	DISC	E.P.D.M. 1075181 (526-J)	1
		BUTYL 1075182 (526-JJ)	
		FKM 1075183 (526-JV)	
4	SHAFT	PVC 43119	1
5	SHAFT GUIDE	1075178 (526-GK)	1
6	O-RING	E.P.D.M. 1010140	1
		BUTYL 1071778 (ORJ-214)	
		FKM 1071817 (ORV-214)	
7	O-RING	E.P.D.M. 1071673 (ORE-018)	4
		BUTYL 1071762 (ORJ-018)	
		FKM 1071790 (ORV-018)	
8	DIAPHRAGM	BUNA N 1075177 (526-FB)	1
9	O-RING	BUNA N 1071713 (ORB-251)	1
10	LWR DIA. PLATE	43051	1
11	UPR DIA. PLATE	43050	1
12	CAP	1075167 (526-BOK)	1
13	RD. HD. MACH. SCR.	1072382 (SCS-0098)	12
14	HEX NUT	1071648 (NUS-0006)	12
15	O-RING	ETH. PROP. 1071738 (ORE-148)	2
		BUTYL 1071773 (ORJ-148)	
		FKM 1071810 (ORV-148)	
16	RATANING RING	1075180 (526-HA)	1
17	DISC HOLDER	PVC 1075197 (526-RP)	1
		NORYL 1075196 (526-RN)	



DETAIL B
DISC NUT/SHAFT TO BE FLUSH AFTER COMPONENTS ARE TIGHTENED TO 20-25 IN-LB [2.3-2.8 Nm]

ASSEMBLY TOOLS	
DESCRIPTION	PART NO.
FOR INSTALLATION & REMOVAL OF SHAFT (ITEM #4) (TOOL NOT SHOWN)	<u>1077837</u>
FOR INSTALLATION & REMOVAL OF UPPER DIAPHRAGM PALTE (ITEM #11) (TOOL NOT SHOWN)	<u>1075224 (526-Z)</u>



DETAIL C

REPAIR PARTS KITS		
DIAPHRAGM & SEALS KIT CONSISTS OF ITEM NO'S 3,6,7(4),8,9,15(2)	1070275 (526-RA) EPDM INCLUDES DIAPHRAGM 1075177 (526-FB)	1070283 (526-RAJ) BUTYL INCLUDES DIAPHRAGM 1075177 (526-FB)
	1070291 (526-RAV) FKM INCLUDES DIAPHRAGM 1075177 (526-FB)	
INT. PARTS KIT (NORM. OPEN) CONSISTS OF ITEM NO'S 2,4,5,10,11,17	1070299 (K526-RF)	

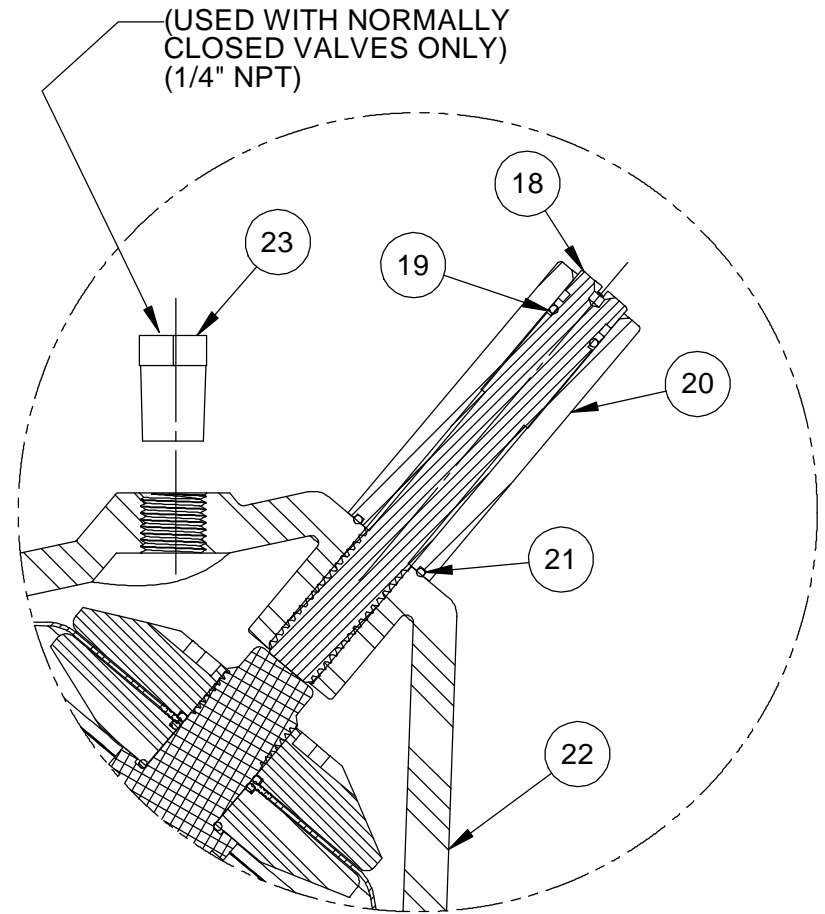
SEE FORM 1078152 FOR SOCKET WELD ENDS AND FLANGED ADAPTORS

SEE REVERSE SIDE FOR CONFIGURATION OPTIONS.

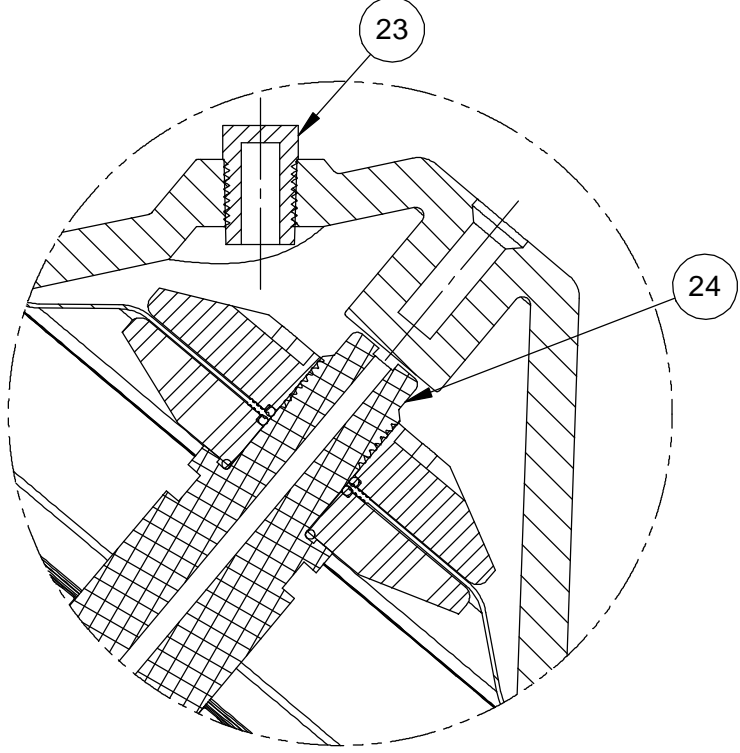
**1070180 (K526-X200-14000)
NORMALLY OPEN (STANDARD)**

© 2016 AQ Matic Valve and Controls Company, Inc. All rights reserved.		THIRD ANGLE PROJECTION	 16605 West Victor Rd New Berlin, WI 53151 262-326-0100 www.aq-matic.com	
APPROVALS	DATE	TITLE CATALOG SHEET, 526 DIAPHRAGM VALVE		
DRAWN	APPROVED	SIZE C	DWG NO. 1077656	REV N
CHECKED		SCALE 1:1	SHEET 1 OF 2	

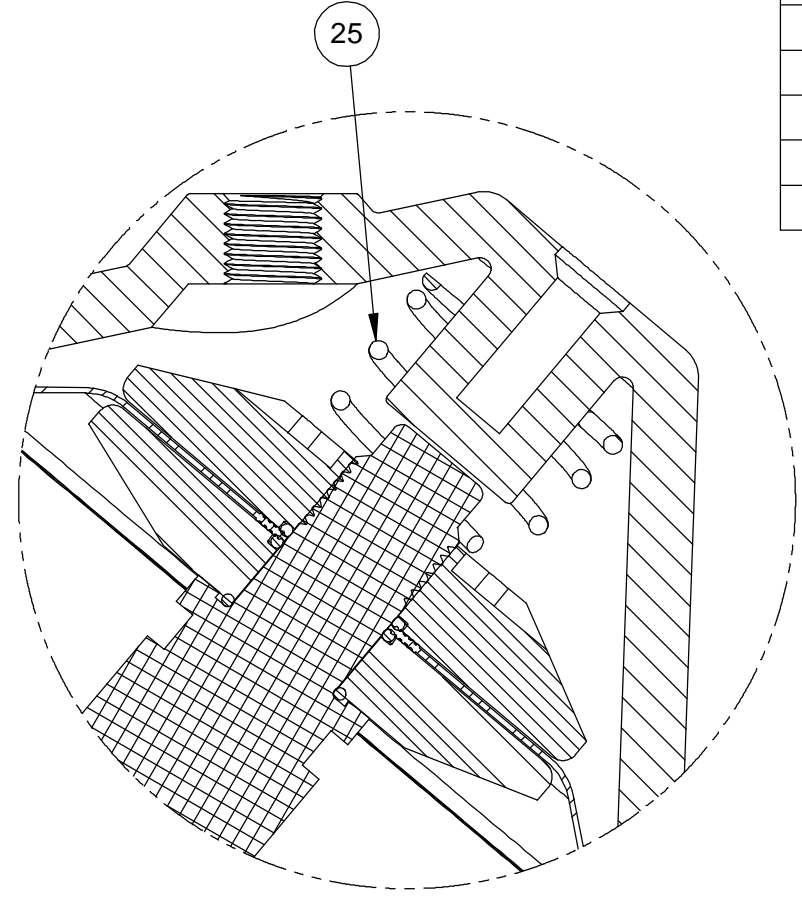
REVISIONS					
ZONE	ECN	REV.	DESCRIPTION	DATE	APPD
			SEE SHEET 1 FOR LIST OF CHANGES		



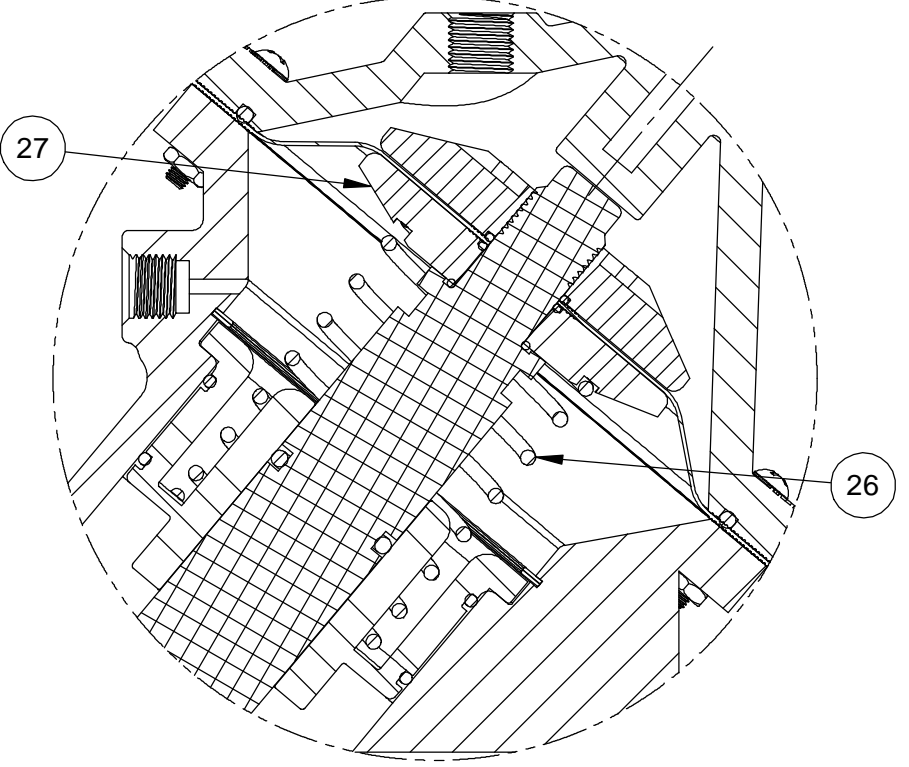
**1070181 (K526-X210-14000)
LIMIT STOP**



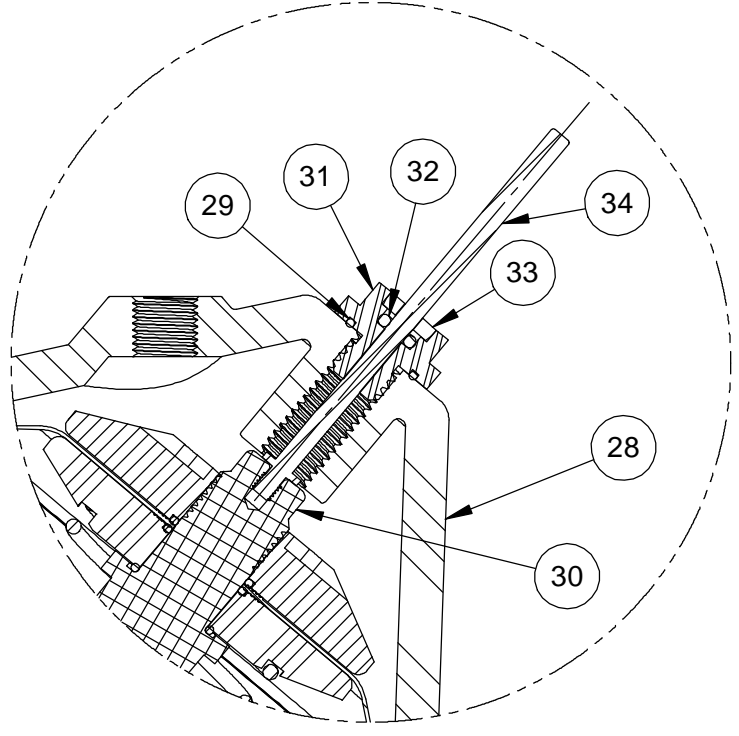
**1071256 (K526-X230-14000)
NORMALLY CLOSED**



**1071246 (K526-X202-14000)
SPRING ASSIST CLOSED**



**1071242 (K526-X201-14000)
SPRING ASSIST OPEN**



**1071255 (K526-X221-14000)
POSITION INDICATOR**

LIMIT STOP MODEL			
ITEM NO.	QTY.	PART NUMBER	DESCRIPTION
18	1	1075223	LIMIT STOP SCREW, SS
19	1	1071668	O-RING,2-012,NITRILE
20	1	1075222	LIMIT STOP NUT, SS
21	1	1071671	O-RING,2-016,NITRILE
22	1	1075165	CAP, LIMIT STOP

NORMALLY CLOSED MODEL			
ITEM NO.	QTY.	PART NUMBER	DESCRIPTION
23	1	1071913	MALE PIPE PLUGS,
24	1	43143	SHAFT,VALVE,526,NORMALLY CLSD

SPRING ASSIST CLOSED MODEL			
ITEM NO.	QTY.	PART NUMBER	DESCRIPTION
25	1	1075202	SPRING, CONICAL

SPRING ASSIST OPEN MODEL			
ITEM NO.	QTY.	PART NUMBER	DESCRIPTION
26	1	1267399	SPRING, COMPRESSION
27	1	1075175	PLATE,DIAPHRAGM,526,SA,LOWER

POSITION INDICATOR MODEL			
ITEM NO.	QTY.	PART NUMBER	DESCRIPTION
28	1	1075165	CAP, LIMIT STOP
29	1	1071671	O-RING,2-016,NITRILE
30	1	43142	SHAFT,VALVE,526,POSITION INDCT
31	1	1075038	GUIDE HOUSING,
32	1	1071687	O-RING,2-106,NITRILE
33	1	1074971	PLUG, GUIDE HOUSING, 520
34	1	1075184	ROD, POSITION INDICATOR, 526

- NOTE:
1. POSITION INDICATOR MODEL CANNOT BE COMBINED WITH NORMALLY CLOSED OR LIMIT STOP OPTIONS.
 2. POSITION INDICATOR MODEL FURNISHED WITH SPRING ASSIST OPEN OPTION.

REPAIR PARTS KITS	
DESCRIPTION	PART NO.
INT. PARTS KIT (LIMIT STOP) CONSISTS OF NO'S 18 THRU 21	1075191 (526-LS)
INT. PARTS KIT (NORM. CLOSED) CONSISTS OF ITEM NO'S 2,5,10,11,17, 24	1071226 (K526-RG)
INT. PARTS KIT (SPRING ASSIST CLOSED) CONSISTS OF ITEM NO. 25	1075200 (526-SC)
INT. PARTS KIT (SPRING ASSIST OPEN) CONSISTS OF ITEM NO'S 26 & 27	1071227 (526-SO)
INT. PARTS KIT (POSITION INDICATOR) CONSISTS OF ITEM NO'S 29 THRU 34	1081804 (526-PI)

CONVERSION KITS	
DESCRIPTION	PART NO.
CONVERSION KIT (LIMIT STOP) CONSISTS OF ITEM NO'S 18 THRU 22	1071225 (526-LSC)
CONVERSION KIT (SPRING ASSIST CLOSED) CONSISTS OF ITEM NO 25	1075200 (526-SC)
CONVERSION KIT (SPRING ASSIST OPEN) CONSISTS OF ITEM NO'S 26 & 27	1071227 (526-SO)
CONVERSION KIT (POSITION INDICATOR) CONSISTS OF ITEM NO'S 28 THRU 34	1079674 (K526-PI-C)

SEE FORM 1078152 FOR SOCKET WELD ENDS AND FLANGED ADAPTORS.
SEE REVERSE SIDE FOR STANDARD NORMALLY OPEN MODEL.

© 2016 AQ Matic Valve and Controls Company, Inc. All rights reserved.		THIRD ANGLE PROJECTION	APPROVALS	DATE	TITLE CATALOG SHEET, 526 DIAPHRAGM VALVE
DO NOT SCALE DRAWING. DIMS. ARE IN INCHES [mm] INTERPRET DIMS AND TOLERANCES PER ASME Y14.5M -2009 UNLESS OTHERWISE SPECIFIED: TOLERANCES: ANGLES: ± 1° 1 PLACE .X: ± .015 [0.38] 2 PLACE .XX: ± .01 [0.3] 3 PLACE .XXX: ± .005 [0.13]		DRAWN	APPROVED	CHECKED	SIZE C DWG NO. 1077656 REV N
		SCALE 1:1		SHEET 2 OF 2	