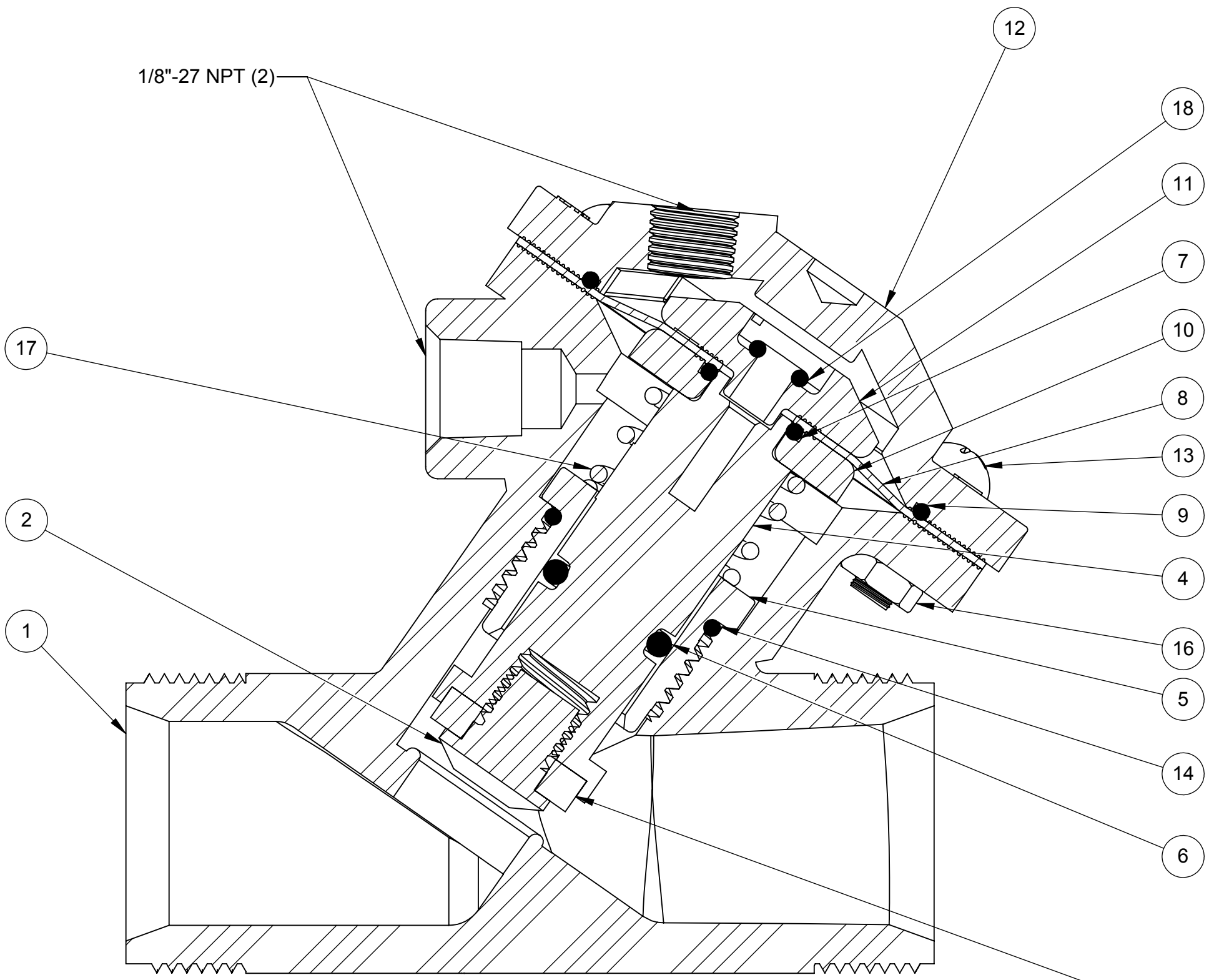


| ASSEMBLY TOOLS | |
|---|-----------------|
| DESCRIPTION | PART NO. |
| FOR INSTALLATION & REMOVAL OF SHAFT GUIDE (ITEM #5) | 1074989 (520-Z) |
| TO HOLD SHAFT (ITEM #4) DURING ASSEMBLY/DISASSEMBLY | 1077834 |

| REVISIONS | | | | | |
|-----------|--------|------|---|---------|-------|
| ZONE | ECN | REV. | DESCRIPTION | DATE | APP'D |
| | 30212 | M | REDRAWN IN SOLIDWORKS | 11OCT11 | TS |
| | 103915 | N | 1-UNION END CONNECTOR WAS:1078140(BOTH PGS), 2- ADD'D ITEM 18, 3- UPDATED TITLE BLOCK | 28OCT14 | TJM |
| | 1001 | O | Update to AQ Matic & verified part numbers | 16JAN17 | MGS |

| ITEM NO. | DESCRIPTION | PART NUMBER | Default/QTY |
|----------|-----------------------------|---------------|-------------|
| 1 | BODY, K520 | 1074943 | 1 |
| 2 | SCREW,DISC,PLATE,520 | NORYL 1077903 | 1 |
| 3 | DISC | EPDM 1074966 | 1 |
| | | BUTYL 1074967 | |
| | | FKM 1074968 | |
| 4 | SHAFT, 520 | 1077854 | 1 |
| 5 | GUIDE,SHAFT,520 | NORYL 1074964 | 1 |
| 6 | O-RING | EPDM 1071727 | 1 |
| | | BUTYL 1071764 | |
| | | FKM 1071799 | |
| 7 | O-RING | EPDM 1071717 | 1 |
| | | FKM 1071787 | |
| 8 | DIAPHRAM | NBR 1078035 | 1 |
| | | FKM 1078047 | |
| 9 | O-RING | EPDM 3015801 | 1 |
| 10 | PLATE,DIAPHRAGM,LWR | NORYL 1077858 | 1 |
| 11 | PLATE,DIAPHRAGM,UPR | NORYL 1077856 | 1 |
| 12 | CAP, 520 | 1074948 | 1 |
| 13 | SCREW,10-32x5/8",RND HD | SS 1072379 | 6 |
| 14 | O-RING, -018 | EPDM 1071720 | 1 |
| | | BUTYL 1071762 | |
| | | FKM 1071790 | |
| 15 | SCREW, CUTTING 1/4" TYPE BT | 1077781 | 1 |
| 16 | HEX NUT, 10-32 | SS 1071647 | 6 |
| 17 | SPRING, COMPRESSION | 1074982 | 1 |
| 18 | O-RING | NBR 41122 | 1 |
| | | FKM 41122-01 | |



| REPAIR PARTS KIT | | |
|--|---|---|
| DESCRIPTION | PART NO. | |
| DIAPHRAGM & SEAL KIT | 1081784 (520-RAN) E.P.D.M. INCLUDES DIAPHRAGM BR1078035 | 1081783 (520-RAJN) BUTYL INCLUDES DIAPHRAGM BR1078035 |
| CONSISTS OF ITEM NO'S 3,6,7,8,9,14 | 1081787 (520-RAVN) FKM INCLUDES DIAPHRAGM BR1078035 | 1081786 (520-RAVFN) FKM INCLUDES DIAPHRAGM BR1078047 |
| INT. PART KIT (NORM. OPEN) CONSISTS OF ITEMNO'S 2,4,5,10,11,15 | 1079600 (K520-RFN) | |

SEE SHEET 1081309 FOR UNION END CONNECTORS
SEE SHEET 1078141 FOR GROOVED ADAPTERS
SEE REVERSE SIDE FOR CONFIGURATION OPTIONS

1070140 (K520-X201-14000)
NORMALLY OPEN W/ SPRING ASSIST OPEN (STANDARD)

COMPONENTS / ASSEMBLIES TO BE COMPLIANT AND COMPATIBLE WITH EUROPEAN UNION DIRECTIVE 2011/65/EEC (ROHS2) & REGULATION (EC)1907/2006 (REACH) REQUIREMENTS

THIS DOCUMENT IS SOLELY THE PROPERTY OF AQ Matic VALVE & CONTROLS COMPANY INC. REPRODUCTION, USE DISCLOSURE, OR TRANSMISSION OF THIS DOCUMENT OR DETAILS CONTAINED HEREIN, IN PART OR IN WHOLE, IS PROHIBITED WITHOUT THE WRITTEN CONSENT OF AQ Matic ENGINEERING. THIS DOCUMENT AND ANY COPIES SHALL BE RETURNED TO AQ Matic UPON REQUEST.

DO NOT SCALE DRAWING. DIMS. ARE IN INCHES [mm]
INTERPRET DIMS AND TOLERANCES PER ASME Y14.5M -2009
UNLESS OTHERWISE SPECIFIED.
ALL FINISHED MACHINED SURFACES 125 ✓ OR BETTER.
TOLERANCES:
ANGLES: ± 1°
1 PLACE .X: ± .015 [0.38]
2 PLACE .XX: ± .01 [0.3]
3 PLACE .XXX: ± .005 [0.13]

THIRD ANGLE PROJECTION

APPROVALS DATE

DRAWN NE

APPROVED

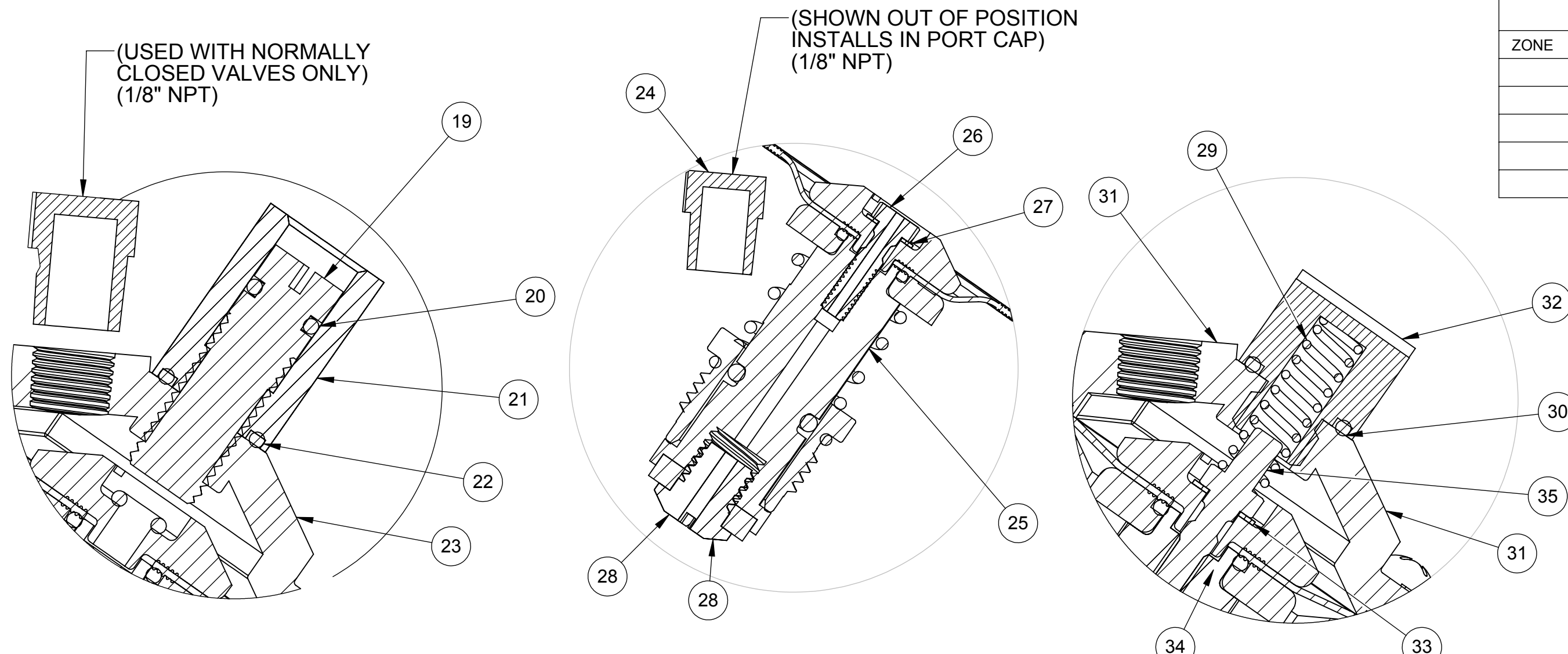
CHECKED

AQ Matic Valve & Controls Company Inc.

TITLE
CATALOG SHEET, 520, VALVE
STANDARD MODEL

SIZE B DWG NO. BR1078139 REV O

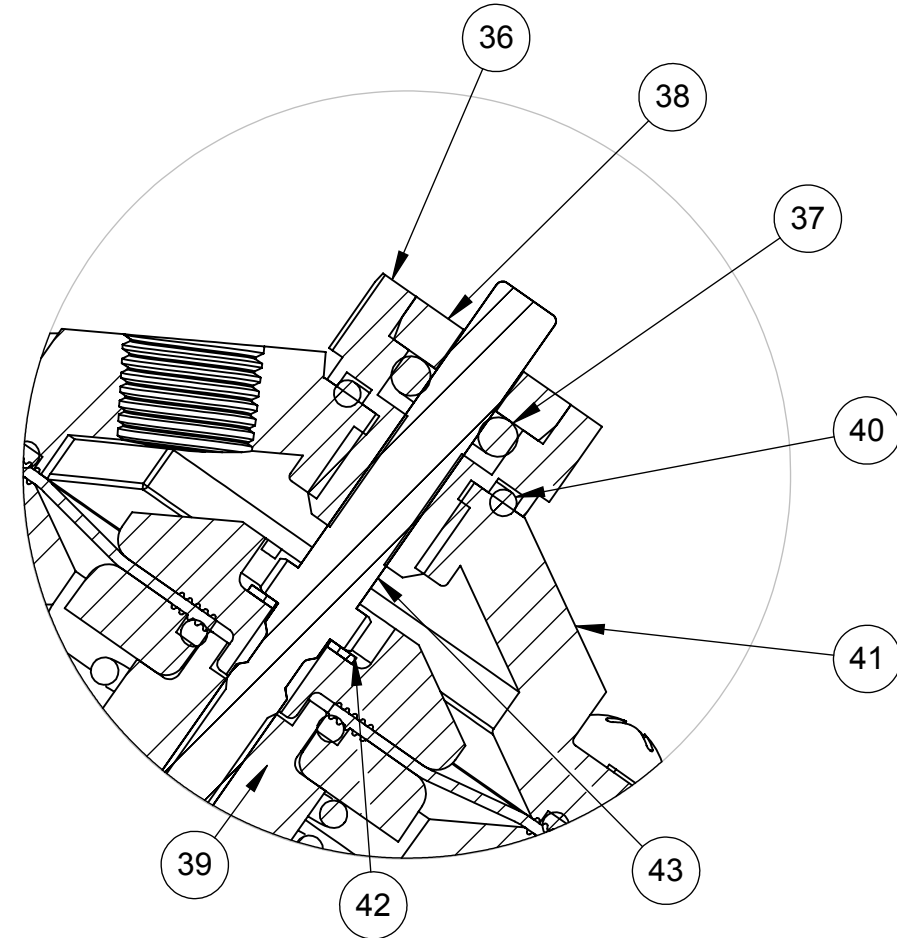
SCALE 1:2 SHEET 1 OF 2



1070141 (K520-X211-14000)
LIMIT STOP

1071064 (K520-X231-14000)
NORMALLY CLOSED

1070143 (K520-X202-14000)
SPRING ASSIST CLOSED



1071079 (K520-X221-14000)
POSITION INDICATOR

NOTE:

1. NORMALLY CLOSED CANNOT BE COMBINED WITH SPRING ASSIST CLOSED.
2. LIMITED STOP MODEL CANNOT BE COMBINED WITH SPRING ASSIST CLOSED OPTION.
3. POSITION INDICATOR MODEL FURNISHED WITH NORMALLY OPEN, SPRING ASSIST OPEN OPTION ONLY.

| REVISIONS | | | | | |
|-----------|-----|------|-----------------------------------|------|-------|
| ZONE | ECN | REV. | DESCRIPTION | DATE | APP'D |
| | | | SEE SHEET 1 FOR A LIST OF CHANGES | | |
| | | | | | |
| | | | | | |
| | | | | | |

LIMITED STOP MODEL

| ITEM NO. | DESCRIPTION | PART NUMBER | QTY. |
|----------|------------------------------|-------------|------|
| 19 | LIMIT STOP SCREW, SERIES 520 | 1074988 | 1 |
| 20 | O-RING,2-010,NITRILE | 1071667 | 1 |
| 21 | LIMIT STOP NUT, | 1074987 | 1 |
| 22 | O-RING,2-013,NITRILE | 1071669 | 1 |
| 23 | CAP, LIMIT STOP, 520 | 1074946 | 1 |

NORMALLY CLOSED MODEL

| ITEM NO. | DESCRIPTION | PART NUMBER | QTY. |
|----------|----------------------------|-------------|------|
| 24 | MALE PIPE PLUGS, | 1071912 | 1 |
| 25 | SHAFT, 520 | 1077905 | 1 |
| 26 | SCREW, 520, DIA PLT, NC | 1077818 | 1 |
| 27 | WASHER, LOCK, INTERNAL, #8 | 1006351 | 1 |
| 28 | DISC SCREW, 520, NC | 1078324 | 1 |

SPRING ASSIST CLOSED MODEL

| ITEM NO. | DESCRIPTION | PART NUMBER | QTY. |
|----------|----------------------------|-------------|------|
| 29 | SPRING, COMPRESSION | 1074981 | 1 |
| 30 | O-RING,2-013,BUNA N | 1071669 | 1 |
| 31 | CAP, LIMIT STOP, 520 | 1074946 | 1 |
| 32 | SPRING RETAINER, 520 | 1074986 | 1 |
| 33 | WASHER, LOCK, INTERNAL, #8 | 1006351 | 1 |
| 34 | SHAFT, 520, NRYL, PI & SAC | 1077907 | 1 |
| 35 | SCREW, 520, DIA PLT,SAC | 1077828 | 1 |

POSITION INDICATOR MODEL

| ITEM NO. | DESCRIPTION | PART NUMBER | QTY. |
|----------|----------------------------|-------------|------|
| 36 | GUIDE HOUSING, | 1074970 | 1 |
| 37 | O-RING,2-106, BUNA N | 1071687 | 1 |
| 38 | PLUG, GUIDE HOUSING, 520 | 1074971 | 1 |
| 39 | SHAFT, 520 | 1077854 | 1 |
| 40 | O-RING,2-013, BUNA N | 1071669 | 1 |
| 41 | CAP, LIMIT STOP, 520 | 1074946 | 1 |
| 42 | WASHER, LOCK, INTERNAL, #8 | 1006351 | 1 |
| 43 | SCREW, 520, DIA PLT, PI | 1077826 | 1 |

SEE SHEET 1081309 FOR UNION END CONNECTORS,
SEE SHEET 1078141 FOR GROVED ADAPTERS,

SEE REVERSE SIDE FOR
STANDARD NORMALLY OPEN MODEL

| REPAIR PARTS KIST | |
|---|-------------------|
| DESCRIPTION | PART NO. |
| INT. PARTS KIT (LIMITED STOP) CONSIST OF ITEM NO'S 18 THRU 21 | 1074973 (520-LS) |
| INT. PARTS KIT (NORM. CLOSED) CONSIST OF ITEM NO'S 5,10,11,24,25,26,27 | 1079601 (520-RGN) |
| INT. PARTS KIT (SPRING ASSIST CLOSED) CONSIST OF ITEM NO'S 29 THRU 33 | 1061789 (520-SCN) |
| INT. PARTS KIT (POSITION INDICATOR) CONSIST OF ITEM NO'S 35 THRU 39 | 1081782 (520-PIN) |

| CONVERSION KITS | |
|---|---------------------|
| DESCRIPTION | PART NO. |
| CONVERSION KIT (LIMIT STOP) CONSISTS OF ITEM NO'S 18 THRU 22 | 1071056 (K520-LSC) |
| CONVERSION KIT (SPRING ASSIST CLOSED) CONSISTS OF ITEM NO'S 28 THRU 34 | 1079602 (K520-SCCN) |
| CONVERSION KIT (POSITION INDICATOR) CONSISTS OF ITEM NO'S 35 THRU 42 | 1079599 (K520-PICN) |

COMPONENTS / ASSEMBLIES TO BE COMPLIANT AND COMPATIBLE WITH EUROPEAN UNION DIRECTIVE 2011/65/EEC (RoHS2) & REGULATION (EC)1907/2006 (REACH) REQUIREMENTS

THIS DOCUMENT IS SOLELY THE PROPERTY OF AQ Matic VALVE & CONTROLS COMPANY INC. REPRODUCTION, USE DISCLOSURE, OR TRANSMISSION OF THIS DOCUMENT OR DETAILS CONTAINED HEREIN, IN PART OR IN WHOLE, IS PROHIBITED WITHOUT THE WRITTEN CONSENT OF AQ Matic ENGINEERING. THIS DOCUMENT AND ANY COPIES SHALL BE RETURNED TO AQ Matic UPON REQUEST.

DO NOT SCALE DRAWING. DIMS. ARE IN INCHES [mm]
INTERPRET DIMS AND TOLERANCES PER ASME Y14.5M -2009
UNLESS OTHERWISE SPECIFIED:
ALL FINISHED MACHINED SURFACES 125 √ OR BETTER.
TOLERANCES:
ANGLES : ± 1°
1 PLACE .X: ± .015 [0.38]
2 PLACE .XX: ± .01 [0.3]
3 PLACE .XXX: ± .005 [0.13]

THIRD ANGLE PROJECTION

APPROVALS DATE

DRAWN

APPROVED

CHECKED

AQ Matic Valve & Controls Company Inc.

TITLE
**CATALOG SHEET, 520, VALVE
STANDARD MODEL**

SIZE **B** DWG NO. **BR1078139** REV **O**

SCALE 1:1 SHEET 2 OF 2