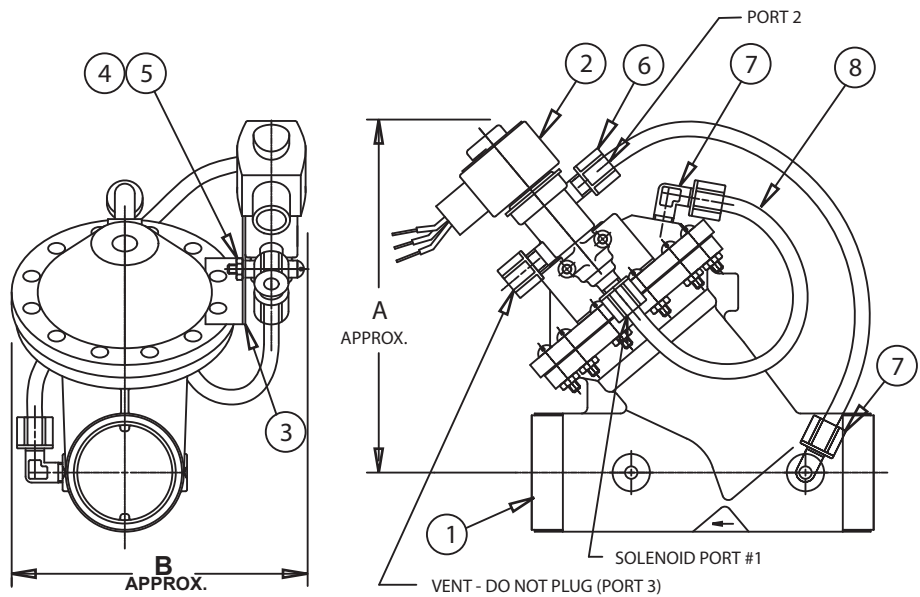


NOTE:

1. LENGTH OF TUBING VARIES WITH EACH SIZE OF DIAPHRAGM VALVE.
2. DIAPHRAGM VALVE IS NORMALLY OPEN, PRESSURE TO CLOSE
3. BOSS NO. 1 ON VALVE TAPPED 1/8" N.P.T. (520, 521, 524) 1/4" N.P.T. (526)
4. DRY DRAIN OPTION - VENT PORT OF SOLENOID IS CONNECTED TO DOWNSTREAM SIDE OF VALVE.

NO.	DESCRIPTION	PART NO.	QTY.	
1	DIAPHRAGM VALVE - NORMALLY OPEN		1	
2	3 WAY SOLENOID VALVE (NEMA 4 ONLY)	110 V. 60 HZ.	1075637	
		220 V. 50 HZ.	1075638	
		24 V. 60 HZ.	1075639	
3	SOLENOID MOUNTING BRACKET	1074783	1	
4	RD. HD. MACH. SCREW (8-32 X 1 1/4")	1072377	2	
5	HEX NUT (8-32)	1079811	2	
6	NUT AND SLEEVE ASSEMBLY (1/4" TUBE)	1071939	3	
7	90° ELBOW	1/8" M. X 1/4" TUBE	520 - 524	2
		1/4" M. X 1/4" TUBE	526	
8	NYLON TUBING - BLACK (1/4" O.D.) (NOTE 1)	1071936	N/A	
9	RD. HD. MACH. SCREW (526 ONLY)	3003551	2	



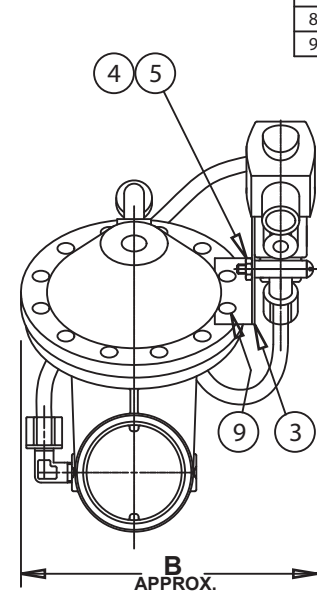
ENERGIZED TO CLOSE

SOLENOID ENERGIZED.

UPSTREAM PRESSURE, FROM SOLENOID PORT 2 TO PORT 1, IS APPLIED TO UPPER DIAPHRAGM CHAMBER TO CLOSE THE DIAPHRAGM VALVE.

SOLENOID DE-ENERGIZED.

PRESSURE FROM UPPER DIAPHRAGM CHAMBER IS VENTED, THROUGH SOLENOID PORT 1 TO PORT 3 TO DRAIN. UPSTREAM PRESSURE OPENS THE DIAPHRAGM VALVE.



ENERGIZED TO OPEN

SOLENOID DE-ENERGIZED.

UPSTREAM PRESSURE, FROM SOLENOID PORT 3 TO PORT 1, IS APPLIED TO UPPER DIAPHRAGM CHAMBER TO CLOSE THE DIAPHRAGM VALVE.


SOLENOID ENERGIZED.

PRESSURE FROM UPPER DIAPHRAGM CHAMBER IS VENTED, THROUGH SOLENOID PORT 1 TO PORT 2 TO DRAIN. UPSTREAM PRESSURE OPENS THE DIAPHRAGM VALVE.

VALVE SERIES	PIPE SIZE	A	B
520	3/8", 1/2"	5.87	4.12
		149.1	104.6
521	3/4", 1"	6.52	5.12
		165.6	130.0
524	1-1/2", 2"	7.62	6.25
		193.5	158.75
526	2-1/2", 3"	9.62	7.87
		244.3	200.0

INCHES
MILLIMETERS

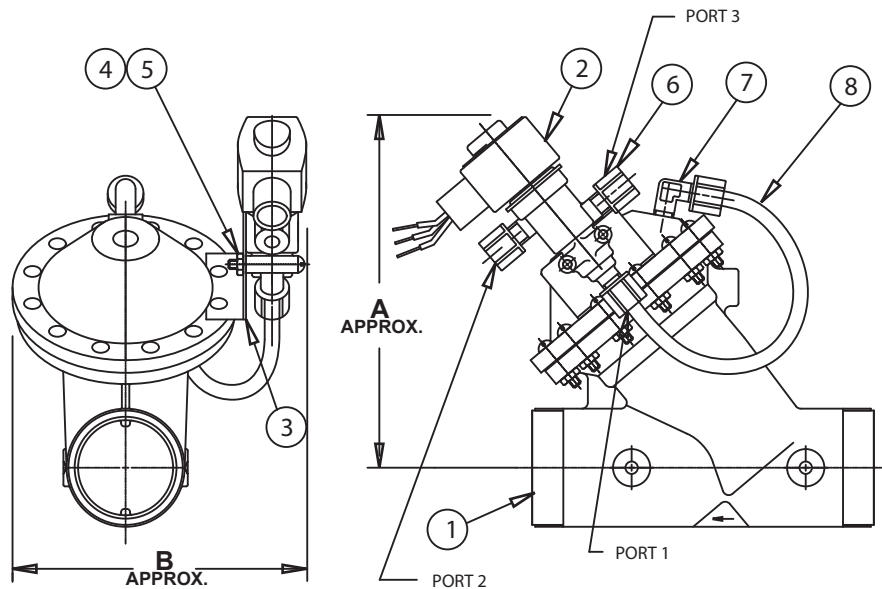
FORM NO. 1081312

REV	DESCRIPTION	ECO	DWN	DATE	APVD
B	UPDATED FITTINGS PART NOS.	NONE	MSM	18SEP06	
					
SERIES K520 THRU K526 DIA. VALVES SOLENOID OPERATED VALVES					
DRAWN	JWB	DATE	02JUL01	DRAWING NO.	1078160

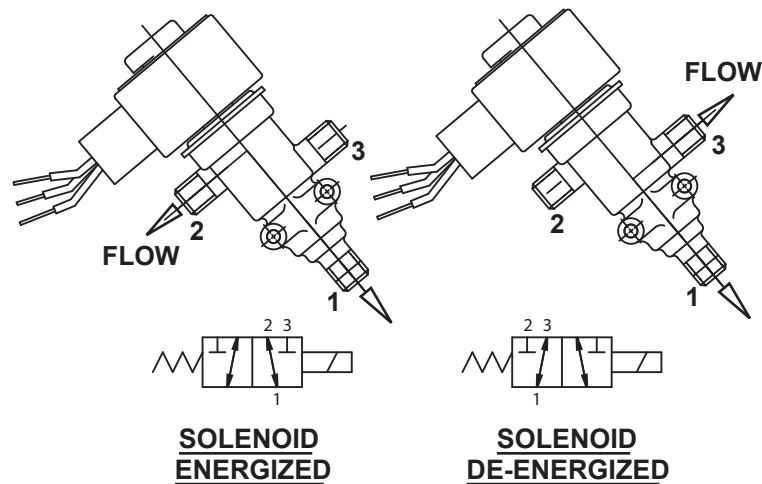
16605 West Victor Rd
New Berlin, WI 53151
262-326-0100
www.aq-matic.com

NOTE:

1. LENGTH OF TUBING VARIES WITH EACH SIZE OF DIAPHRAGM VALVE.
2. DIAPHRAGM VALVE IS NORMALLY OPEN



NO.	DESCRIPTION	PART NO.	QTY.
1	DIAPHRAGM VALVE - NORMALLY OPEN		1
2	3 WAY SOLENOID VALVE (NEMA 4 ONLY)	110 V. 60 HZ.	1075637
		220 V. 50 HZ.	1075638
		24 V. 60 HZ.	1075639
3	SOLENOID MOUNTING BRACKET	1074783	1
4	RD. HD. MACH. SCREW (8-32 X 1 1/4")	1072377	2
5	HEX NUT (8-32)	1079811	2
6	NUT AND SLEEVE ASSEMBLY (1/4" TUBE)	1071939	3
7	90° ELBOW	1/8" M. X 1/4" TUBE	520 - 524
		1/4" M. X 1/4" TUBE	526
8	NYLON TUBING - BLACK (1/4" O.D.) (NOTE 1)	1071936	N/A



INDEPENDENT CONTROL PRESSURE

ENERGIZE TO OPEN

APPLY CONTROL PRESSURE AT SOLENOID PORT NO. 3
(PORT NO. 2 VENTED)

ENERGIZE TO CLOSE

APPLY CONTROL PRESSURE AT SOLENOID PORT NO. 2
(PORT NO. 3 VENTED)

CONTROL PRESSURE MUST BE EQUAL TO OR GREATER
THAN LINE PRESSURE.

VALVE SERIES	PIPE SIZE	A	B
520	3/8", 1/2"	5.87	4.12
		149.1	104.6
521	3/4", 1 "	6.52	5.12
		165.6	130.0
524	1-1/2", 2"	7.62	6.25
		193.5	158.75
526	2-1/2", 3"	9.62	7.87
		244.3	200.0

INCHES
MILLIMETERS

CURRENT DRAIN (AMPERES)		
VOLTAGE	INRUSH	HOLDING
24V 60Hz	1.66	1.04
120V 60Hz	0.33	0.21
220V 50Hz	0.18	0.11

FORM NO. 1081312

B	UPDATED FITTINGS PART NOS.	NONE	MSM	18SEPOG	
REV	DESCRIPTION	ECO	DWN	DATE	APVD
		16605 West Victor Rd New Berlin, WI 53151 262-326-0100 www.aq-matic.com			
SERIES K52 DIAPHRAGM VALVES SOLENOID OPERATED VALVES					
DRAWN	JWB	DATE	02JUL01	DRAWING NO.	1078160