

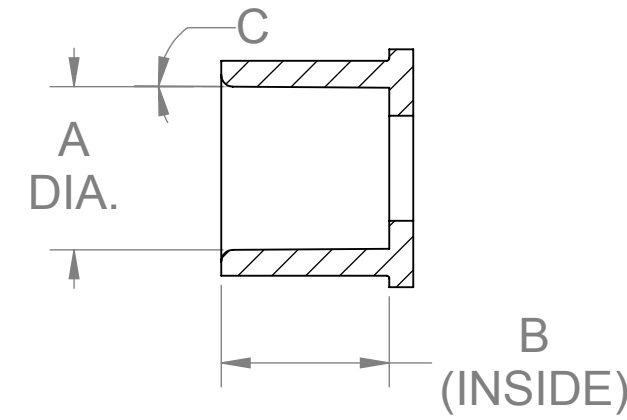
5

4

3

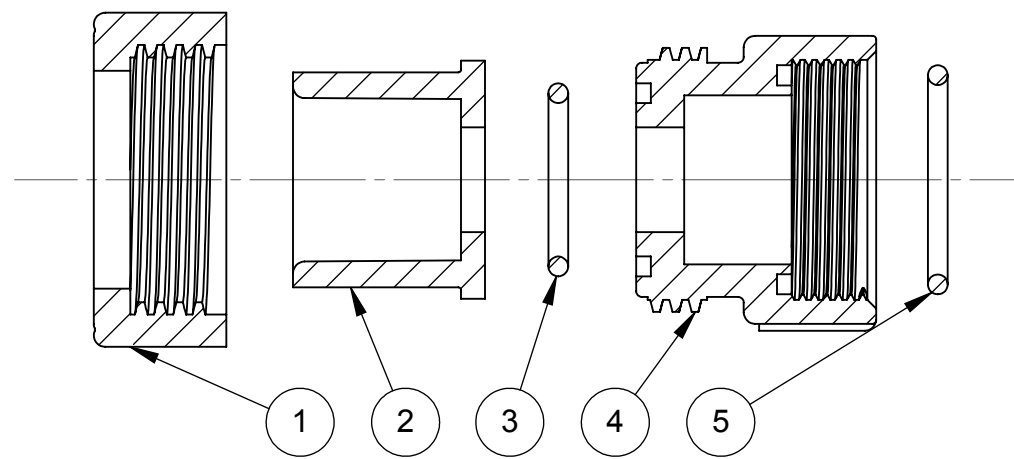
2

1



**FEMALE SOCKET WELD END CONNECTOR**

VALVE SERIES	STANDARD	DIAMETER A	DEPTH B	TAPER C
520	A.S.T.M. 1/2"	.848/.856"	.875"	0°, 24'
	I.S.O. NS-15	20.1/20.3 MM	22.2 MM	0°, 15'
	J.I.S 16	21.9/22.3 MM	22.2 MM	0°, 19'
521	A.S.T.M. 1"	1.325/1.335"	1.125"	0°, 23'
	I.S.O. NS-25	32.1/32.3 MM	28.6 MM	0°, 15'
	J.I.S 25	31.9/32.4 MM	28.6 MM	0°, 16'
524	A.S.T.M. 1-1/2"	1.912/1.924"	1.375"	0°, 23'
	I.S.O. NS-40	50.1/50.3 MM	34.9 MM	0°, 15'
	J.I.S 40	47.9/48.5 MM	34.9 MM	0°, 16'



**UNION END ADAPTOR**

**SERIES 520 UNION END ADAPTOR KITS**

A.S.T.M. 1/2" INCLUDES ITEMS 1,2,3,4,5	E.P.D.M O-RING	1070184
	BUTYL O-RING	1070185
	FKM O-RING	1070186
I.S.O NW-15 INCLUDES ITEMS 1,2,3,4,5	E.P.D.M O-RING	1070190
	BUTYL O-RING	1070191
	FKM O-RING	1070192
J.I.S - 16 INCLUDES ITEMS 1,2,3,4,5	E.P.D.M O-RING	1070193
	BUTYL O-RING	1070194
	FKM O-RING	1070195

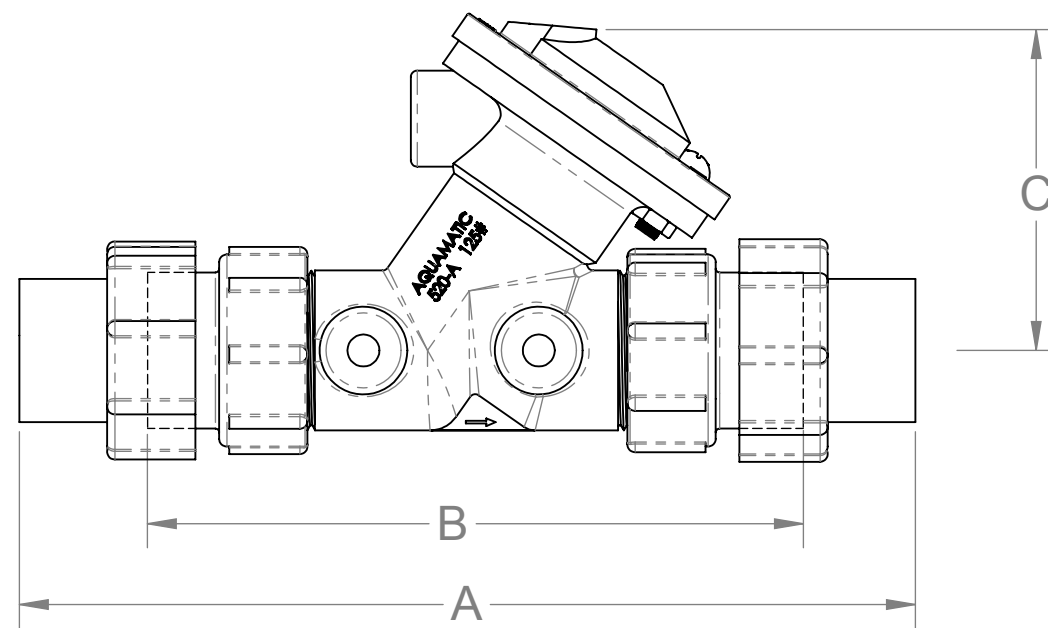
**SERIES 521 UNION END ADAPTOR KITS**

A.S.T.M. 1" INCLUDES ITEMS 1,2,3,4,5	E.P.D.M O-RING	1070202
	BUTYL O-RING	1071153
	FKM O-RING	1071154
I.S.O NW-25 INCLUDES ITEMS 1,2,3,4,5	E.P.D.M O-RING	1070204
	BUTYL O-RING	1071155
	FKM O-RING	1071156
J.I.S - 25 INCLUDES ITEMS 1,2,3,4,5	E.P.D.M O-RING	1070205
	BUTYL O-RING	1071157
	FKM O-RING	1071158

**SERIES 524 UNION END ADAPTOR KITS**

A.S.T.M. 1-1/2" INCLUDES ITEMS 1,2,3,4,5	E.P.D.M O-RING	1070208
	BUTYL O-RING	1071220
	FKM O-RING	1070209
I.S.O NW-40 INCLUDES ITEMS 1,2,3,4,5	E.P.D.M O-RING	1070212
	BUTYL O-RING	1071221
	FKM O-RING	1070213
J.I.S - 40 INCLUDES ITEMS 1,2,3,4,5	E.P.D.M O-RING	1070214
	BUTYL O-RING	1071222
	FKM O-RING	1070215

NOTE: ALL ADAPTOR KITS CONTAIN (2) ADAPTORS, (ONE KIT REQ'D PER VALVE)



VALVE SERIES	UNITS	LENGTH A	LENGTH B	HEIGHT C
520	INCHES	7.00	4.87	2.62
	MM	177.8	123.7	66.5
521	INCHES	9.00	6.31	4.06
	MM	228.6	160.3	103.1
524	INCHES	12.50	9.31	5.06
	MM	317.5	236.5	128.5

REVISIONS					
ZONE	ECN	REV.	DESCRIPTION	DATE	APP'D
	1416	A	RELEASE NEW DESIGN	25JUL01	VP
	103861	B	1- REDRAWN IN SOLIDWORKS, 2- WAS 1074991, 3- WAS 1070153, 4- WAS 1070154, 5- WAS 57.2 MM, 6- WAS 23.5 MM	06OCT14	TJM
	1001	C	AQ Matic update & verified part numbers	20JAN17	MGS

**SERIES 520 UNION END ADAPTOR**

1	TAILPIECE NUT		1074995
2	FEMALE SOCKET WELD END CONNECTOR	A.S.T.M. 1/2"	3020727
		I.S.O. NW-15	1074992
		J.I.S. 16	1074993
3	O-RING	E.P.D.M	1071730
		BUTYL	1071766
		FKM	1071801
4	TAILPIECE		1074996
5	O-RING	E.P.D.M	1071731
		BUTYL	1071767
		FKM	1071802

**SERIES 521 UNION END ADAPTOR**

1	TAILPIECE NUT		1075067
2	FEMALE SOCKET WELD END CONNECTOR	A.S.T.M. 1"	1075061
		I.S.O. NW-25	1075063
		J.I.S. 25	1075065
3	O-RING	E.P.D.M	1071732
		BUTYL	1071768
		FKM	1071803
4	TAILPIECE		1075068
5	O-RING	E.P.D.M	1071733
		BUTYL	1071769
		FKM	1071804

**SERIES 524 UNION END ADAPTOR**

1	TAILPIECE NUT		1075150
2	FEMALE SOCKET WELD END CONNECTOR	A.S.T.M. 1-1/2"	1075144
		I.S.O. NW-40	1075146
		J.I.S. 40	1075148
3	O-RING	E.P.D.M	1071735
		BUTYL	1071771
		FKM	1071807
4	TAILPIECE		1075151
5	O-RING	E.P.D.M	1071736
		BUTYL	1071772
		FKM	1071808

SEE FORM 1078152 FOR SOCKET WELD & FLANGED ADAPTORS

COMPONENTS / ASSEMBLIES TO BE COMPLIANT AND COMPATIBLE WITH EUROPEAN UNION DIRECTIVE 2011/65/EEC (RoHS2) & REGULATION (EC)1907/2006 (REACH) REQUIREMENTS

THIS DOCUMENT IS SOLELY THE PROPERTY OF AQ Matic VALVE & CONTROLS COMPANY INC. REPRODUCTION, USE, DISCLOSURE, OR TRANSMISSION OF THIS DOCUMENT OR DETAILS CONTAINED HEREIN, IN PART OR IN WHOLE, IS PROHIBITED WITHOUT THE WRITTEN CONSENT OF AQ Matic ENGINEERING. THIS DOCUMENT AND ANY COPIES SHALL BE RETURNED TO AQ Matic UPON REQUEST.

DO NOT SCALE DRAWING. DIMS. ARE IN INCHES [mm] INTERPRET DIMS AND TOLERANCES PER ASME Y14.5M -2009 UNLESS OTHERWISE SPECIFIED. ALL FINISHED MACHINED SURFACES 125 ✓ OR BETTER. TOLERANCES:  
 ANGLES: ± 1°  
 1 PLACE .X: ± .015 [0.38]  
 2 PLACE .XX: ± .01 [0.3]  
 3 PLACE .XXX: ± .005 [0.13]

THIRD ANGLE PROJECTION

APPROVALS DATE

DRAWN MCP 7OCT14

APPROVED

CHECKED

**AQ Matic** Valve & Controls Company Inc.

TITLE  
**CATALOG SHEET, 520/521/524 PARTS KITS**

SIZE **B** DWG NO. **1081309** REV **C**

SCALE 1:2 SHEET 1 OF 2

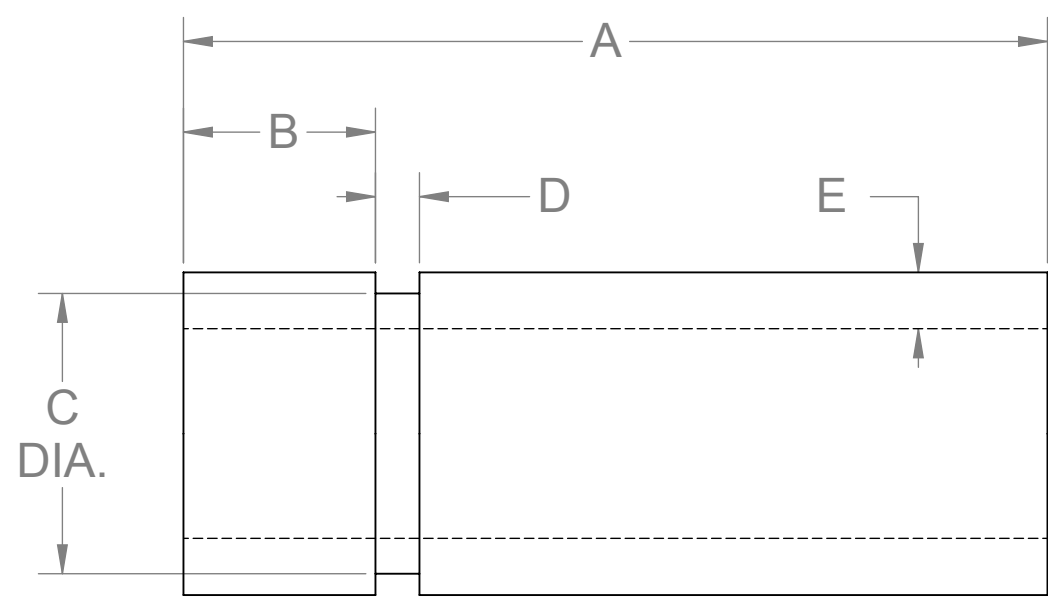
5

4

3

2

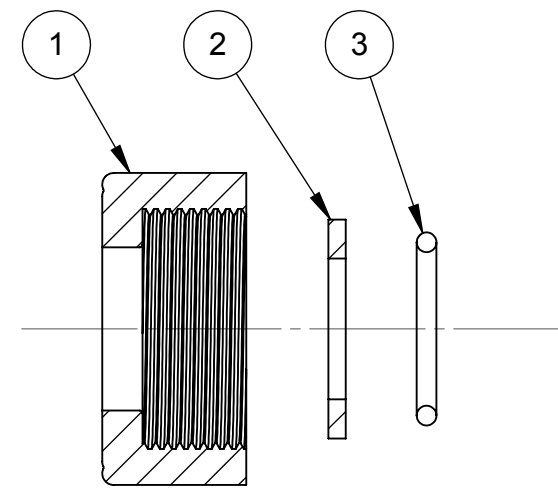
1



**RING GROOVE DIMENSIONS**

VALVE SERIES	UNITS	LENGTH A	LOCATION B	DIA. C	WIDTH D	WALL THK E
520	INCHES MM	2.25 57.2	0.500 12.7	0.730 18.5	0.115 2.9	0.147 3.7
521	INCHES MM	3.00 76.2	0.500 12.7	1.200 30.5	0.115 2.9	0.179 4.55
524	INCHES MM	4.00 101.6	0.875 22.2	1.800 45.7	0.115 2.9	0.200 5.1

(B5)



**RETAINER NUT/SPLIT RING CONNECTOR**

VALVE SERIES		520	521	524
1	RETAINER NUT	1074974	1075041	1075112
2	SPLIT RING	1074975	1075042	1075113
3	O-RING	E.P.D.M	1071730	1071732
		BUTYL	1071766	1071768
		FKM	1071801	1071803

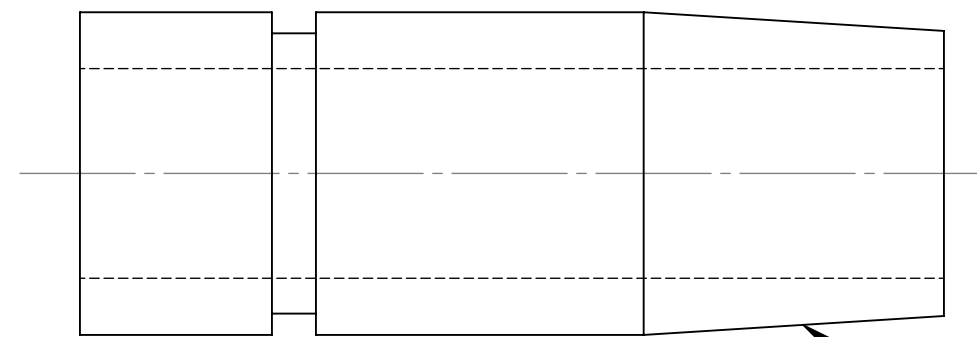
REVISIONS					
ZONE	ECN	REV.	DESCRIPTION	DATE	APP'D
			SEE SHEET 1 FOR A LIST OF CHANGES		

**RETAINER NUT/SPLIT RING CONNECTOR KITS**

SERIES 520 INCLUDES ITEMS 1,2,3	E.P.D.M O-RING	1070238
	BUTYL O-RING	1070239
	FKM O-RING	1070240
SERIES 521 INCLUDES ITEMS 1,2,3	E.P.D.M O-RING	1070244
	BUTYL O-RING	1071159
	FKM O-RING	1071160
SERIES 524 INCLUDES ITEMS 1,2,3	E.P.D.M O-RING	1070246
	BUTYL O-RING	1071223
	FKM O-RING	1070247

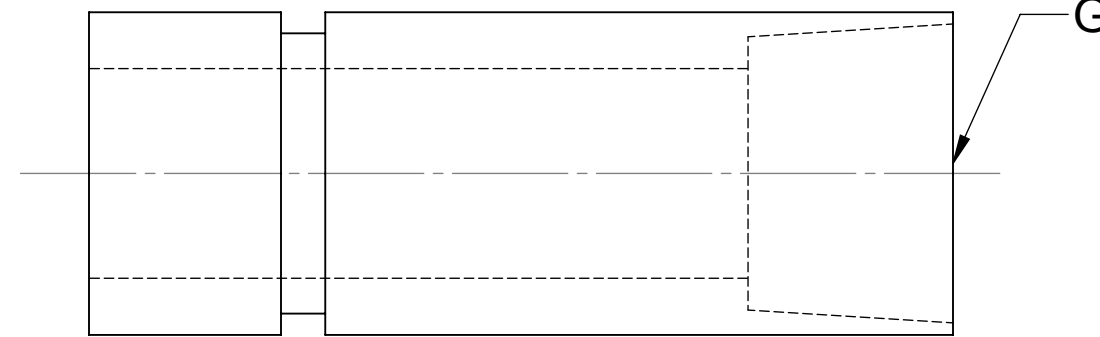
NOTE: ALL CONNECTOR KITS CONTAIN (2) CONNECTORS, (ONE KIT REQ'D PER VALVE)

**GROOVED ADAPTOR KITS**



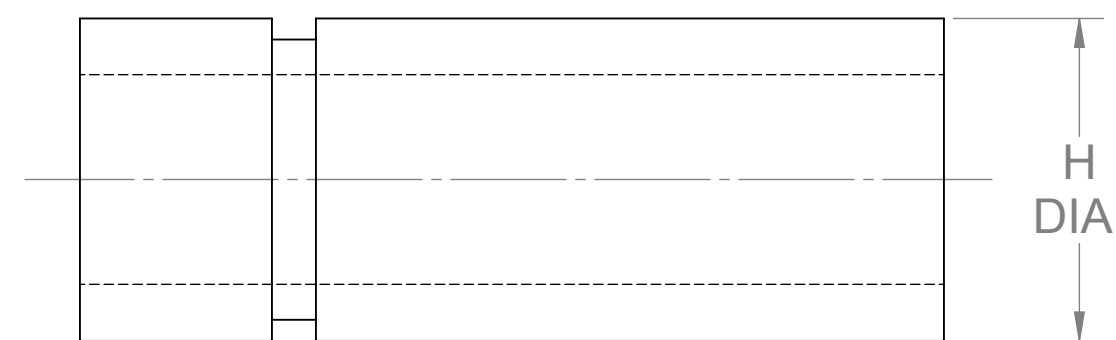
**MALE PIPE THREAD**

VALVE SERIES	520	521	524
PART NO.	1070221	1070227	1070233
DIM. F	1/2" NPT	1" NPT	1-1/2" NPT



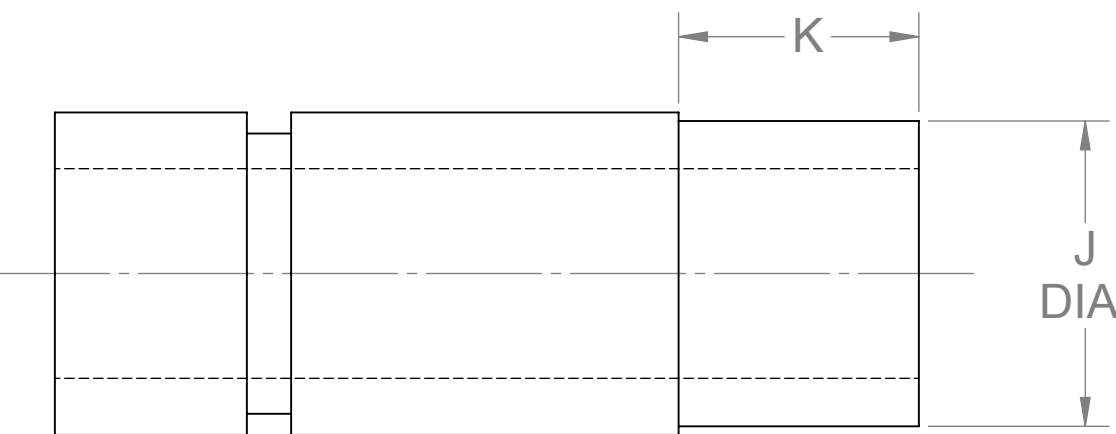
**FEMALE PIPE THREAD**

VALVE SERIES	520	521	524
PART NO.	1070222	1070228	1070234
DIM. G	3/8" NPT	3/4" NPT	1-1/4" NPT



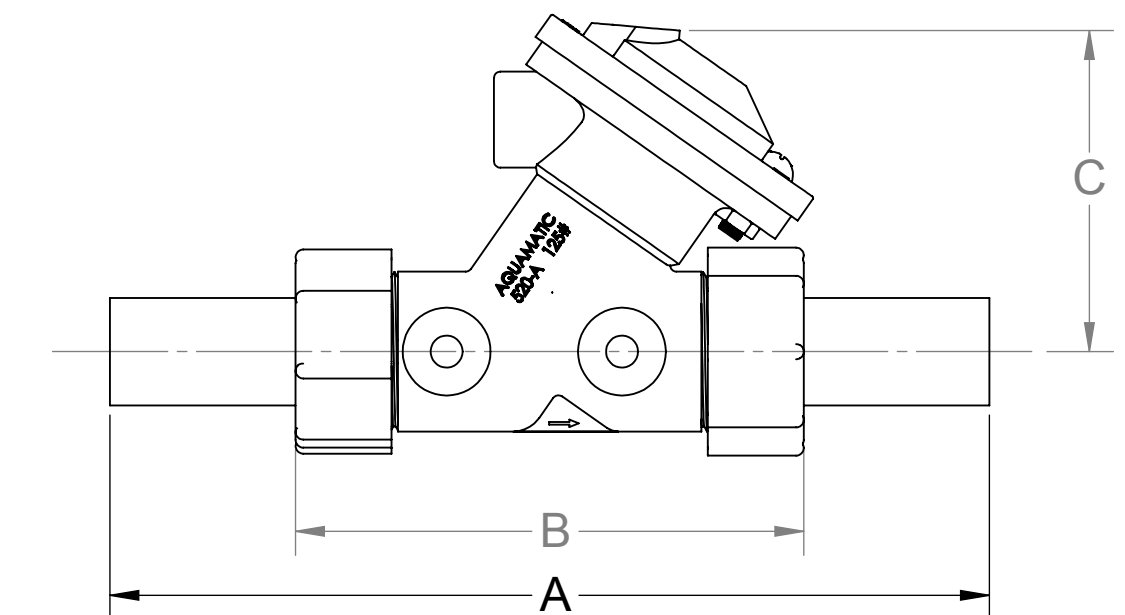
**MALE SOCKET WELD**

VALVE SERIES	520	521	524
PART NO.	1070220	1070226	1070232
DIM. H	0.840 IN. 21.3 MM	1.315 IN. 33.4 MM	1.900 IN. 48.3 MM



**MALE SOCKET WELD (METRIC)**

VALVE SERIES	520	521	524
PART NO.	1071057	1071091	1071162
DIM. J	20.2 MM	32.2 MM	50.2 MM
DIM. K	15.9 MM	25.4 MM	30.0 MM



VALVE SERIES	UNITS	LENGTH A	LENGTH B	HEIGHT C
520	INCHES MM	7.00 177.8	3.93 99.8	2.62 66.5
521	INCHES MM	9.00 228.6	4.50 114.3	4.06 103.1
524	INCHES MM	13.25 336.5	7.75 196.9	5.06 128.5

SEE FORM 1081311 FOR SOCKET WELD & FLANGED ADAPTORS

NOTE: ALL ADAPTOR KITS CONTAIN (2) ADAPTORS, (ONE KIT REQ'D PER VALVE)

COMPONENTS / ASSEMBLIES TO BE COMPLIANT AND COMPATIBLE WITH EUROPEAN UNION DIRECTIVE 2011/65/EEC (ROHS2) & REGULATION (EC)1907/2006 (REACH) REQUIREMENTS

THIS DOCUMENT IS SOLELY THE PROPERTY OF AQ Matic VALVE & CONTROLS COMPANY INC. REPRODUCTION, USE, DISCLOSURE, OR TRANSMISSION OF THIS DOCUMENT OR DETAILS CONTAINED HEREIN, IN PART OR IN WHOLE, IS PROHIBITED WITHOUT THE WRITTEN CONSENT OF AQ Matic ENGINEERING. THIS DOCUMENT AND ANY COPIES SHALL BE RETURNED TO AQ Matic UPON REQUEST.

DO NOT SCALE DRAWING. DIMS. ARE IN INCHES [mm] INTERPRET DIMS AND TOLERANCES PER ASME Y14.5M -2009 UNLESS OTHERWISE SPECIFIED. ALL FINISHED MACHINED SURFACES 125 ✓ OR BETTER. TOLERANCES:  
 ANGLES: ± 1°  
 1 PLACE .X: ± .015 [0.38]  
 2 PLACE .XX: ± .01 [0.3]  
 3 PLACE .XXX: ± .005 [0.13]

THIRD ANGLE PROJECTION	APPROVALS	DATE	 <b>AQ Matic</b> Valve & Controls Company Inc.
	MCP	7OCT14	

TITLE: **ADAPTOR KIT, UNION END PARTS KITS**

SIZE: **B** DWG NO.: **1081309-2** REV: **B**

SCALE: 1:2 SHEET 2 OF 2