

5

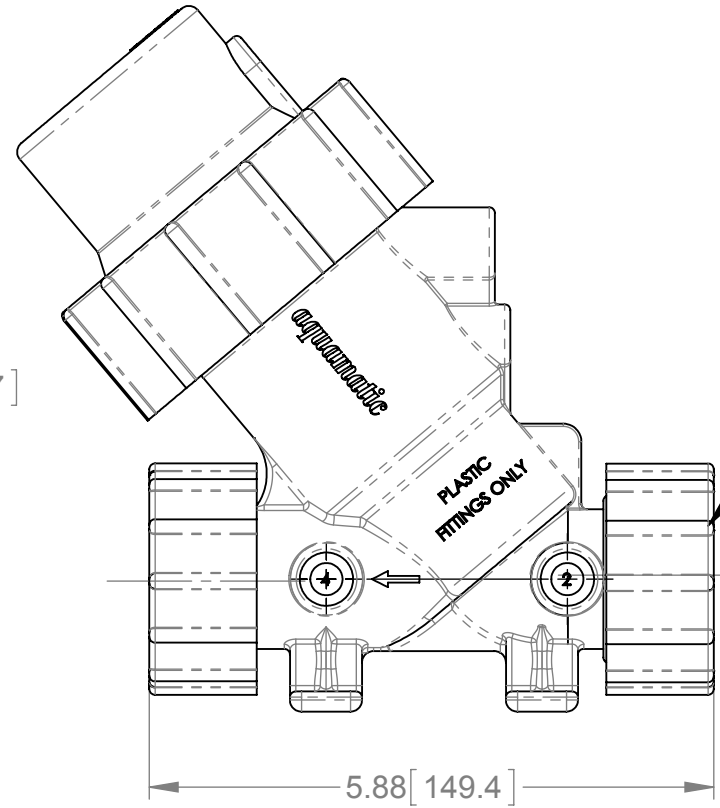
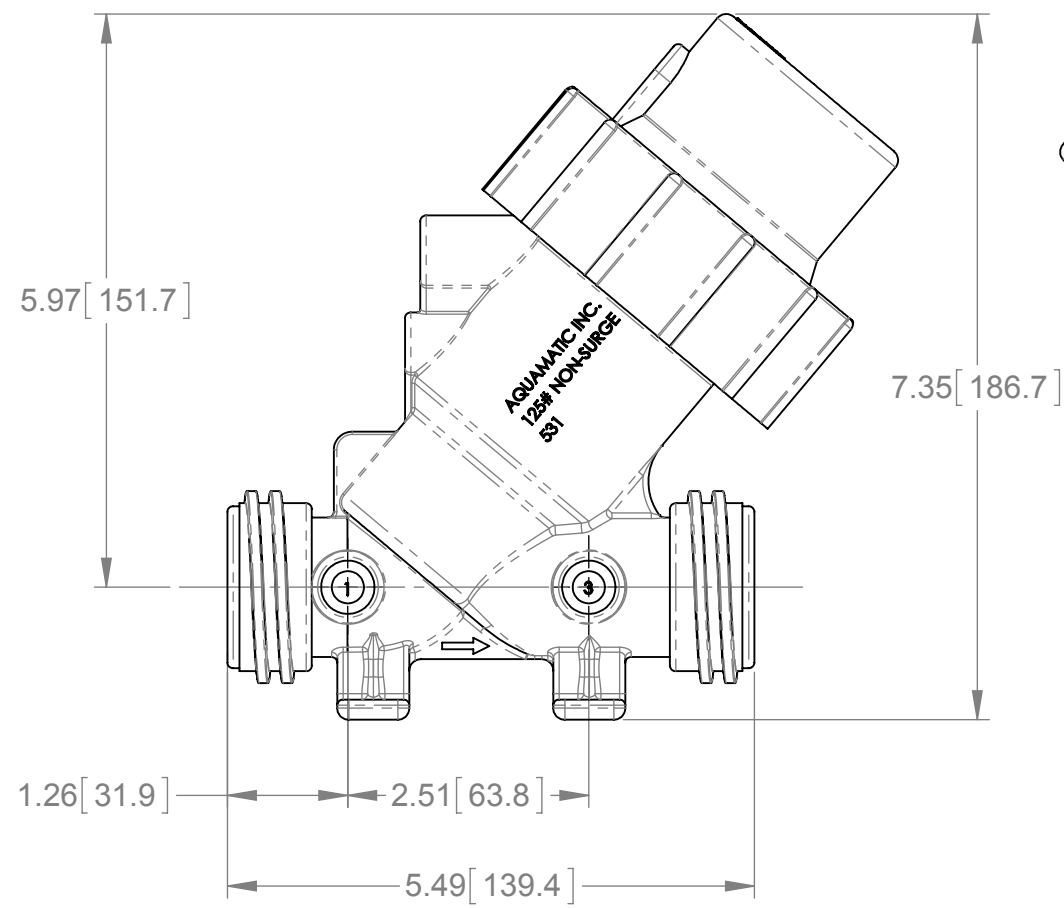
4

3

2

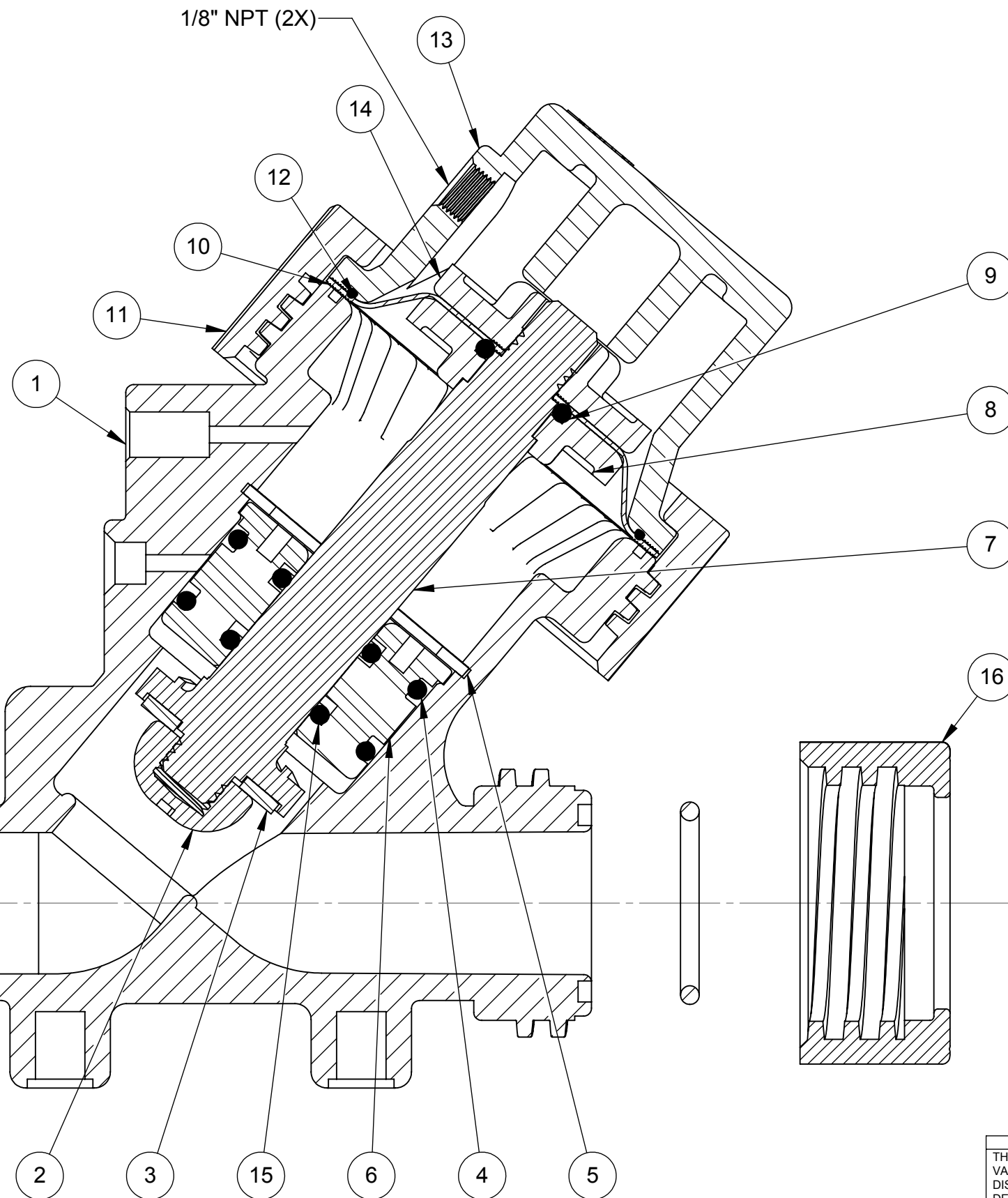
1

REVISIONS					
ZONE	ECN	REV.	DESCRIPTION	DATE	APP'D
	102142	G	REDRAWN IN SOLIDWORKS, FORM # NOW DWG #(WAS 1084007)	06-28-13	TJM
	105094	H	1-ITEM#10 REM'D: 1073278, 2-KIT FKM WAS: 1073278	11NOV15	TJM
	1001	K	AQ Matic update & verified part numbers	16JAN17	MGS



NOTE:
CONNECTORS NOT
FURNISHED WITH VALVE.
SEE DWG. NO. 1078165
FOR FEMALE SOCKET
WELD CONNECTORS.

ITEM NO.	DESCRIPTION	PART NUMBER	QTY.
F	VALVE BODY, 531	1073287	1
2	NUT, DISC RETAINING, 531	1073274	1
3	DISC	E.P.D.M.	1073279
		BUTYL	1073280
		FKM	1073281
4	O-RING, -223	E.P.D.M.	1071749
		BUTYL	1071780
		FKM	1071820
5	RING, RETAINING, SERIES 531	1073312	1
6	GUIDE, SHAFT, 531	1073292	1
7	SHAFT, 531	1073294	1
8	PLATE, DIAPHRAGM, 531, LOWER	1073265	1
9	O-RING, -208	BUNA N	1071700
		FKM	1071814
10	DIAPHRAGM, K531	BUNA N	1073277
11	NUT, SOCKET RETAINING, 535	1073395	1
12	O-RING, -039	BUNA N	1071685
		BUTYL	1071796
13	CAP, NORYL, 531	1073263	1
14	PLATE, DIAPHRAGM, 531, UPPER	1073264	1
15	O-RING, 2-210	E.P.D.M.	1242718
		BUTYL	1071776
		FKM	1242394
16	NUT, INLET/OUTLET, 531	1073273	2
17	O-RING, -218	E.P.D.M.	1071748
		BUTYL	1071779
		FKM	1071819



REPAIR PARTS KITS

DESCRIPTION	PART NO.		
DIAPHRAGM & SEALS KIT CONSISTS OF ITEM NO'S 3, 4(2), 9, 10, 12, 15(2)	1070318 EPDM INCLUDES DIAPHRAGM 1073277	1070326 BUTYL INCLUDES DIAPHRAGM 1073277	1070334 FKM INCLUDES DIAPHRAGM 1073277
INTERNAL PARTS KIT CONSISTS OF ITEM NO'S 2, 5, 6, 7, 8, 14	1070342		

ASSEMBLY TOOLS


DESCRIPTION	PART NO.
LIMIT STOP TOOL (TOOL NOT SHOWN)	1073556
STRAP WRENCH TOOL (TOOL NOT SHOWN)	1073557

SEE REVERSE SIDE FOR CONFIGURATION OPTIONS.

**1070304 (K531-X200-14000)
NORMALLY OPEN (STANDARD)**

THIS DOCUMENT IS SOLELY THE PROPERTY OF AQ Matic VALVE & CONTROLS COMPANY INC. REPRODUCTION, USE DISCLOSURE, OR TRANSMISSION OF THIS DOCUMENT OR DETAILS CONTAINED HEREIN, IN PART OR IN WHOLE, IS PROHIBITED WITHOUT THE WRITTEN CONSENT OF AQ Matic ENGINEERING. THIS DOCUMENT AND ANY COPIES SHALL BE RETURNED TO AQ Matic UPON REQUEST.

DO NOT SCALE DRAWING. DIMS. ARE IN INCHES [mm] UNLESS OTHERWISE SPECIFIED. ALL FINISHED MACHINED SURFACES 125 √ OR BETTER. TOLERANCES:
 ANGLES: ± 1°
 1 PLACE .X: ± .015 [0.38]
 2 PLACE .XX: ± .01 [0.3]
 3 PLACE .XXX: ± .005 [0.13]

THIRD ANGLE PROJECTION	APPROVALS	DATE	 AQ Matic Valve & Controls Company Inc.	
		06-28-13	TITLE CATALOG SHEET, 531	
DRAWN	MWL		SIZE B	DWG NO. BR1077688
APPROVED			SCALE 1:2	REV K
CHECKED			SHEET 1 OF 2	

5

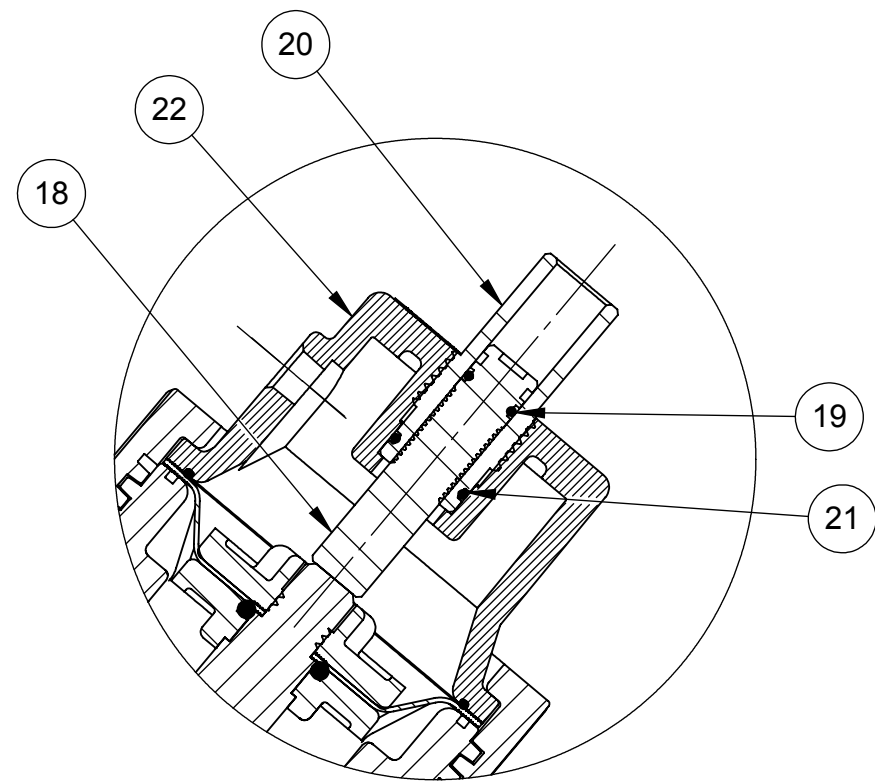
4

3

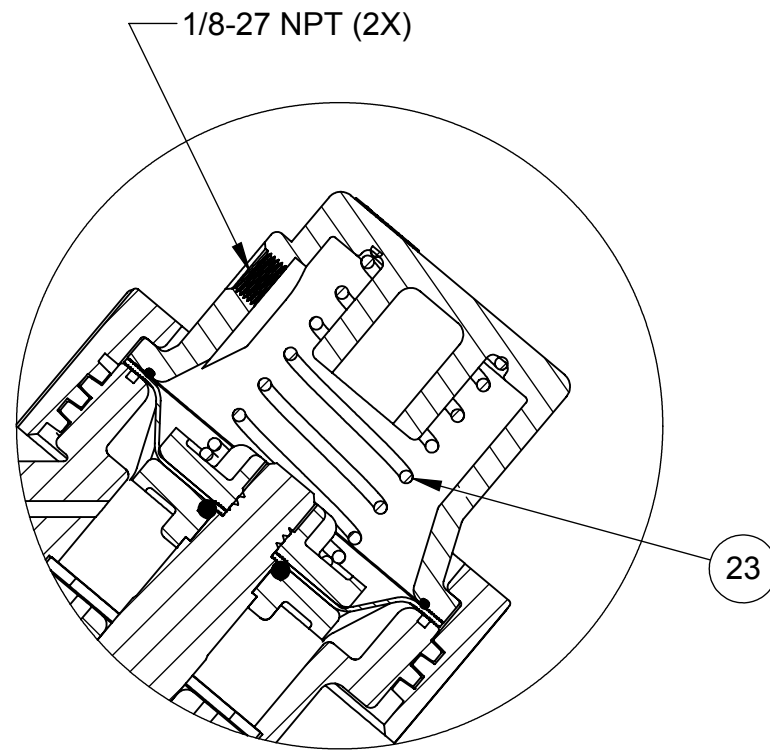
2

1

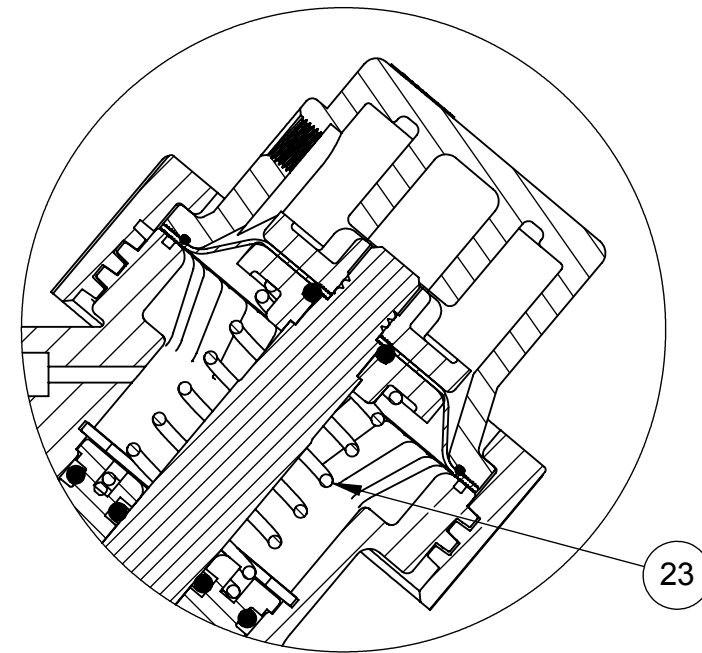
REVISIONS					
ZONE	ECN	REV.	DESCRIPTION	DATE	APP'D
			SEE SHEET 1 FOR LIST OF CHANGES		



1070305 (K531-X210-14000)
LIMIT STOP



1071286 (K531-X202-14000)
SPRING ASSIST CLOSED



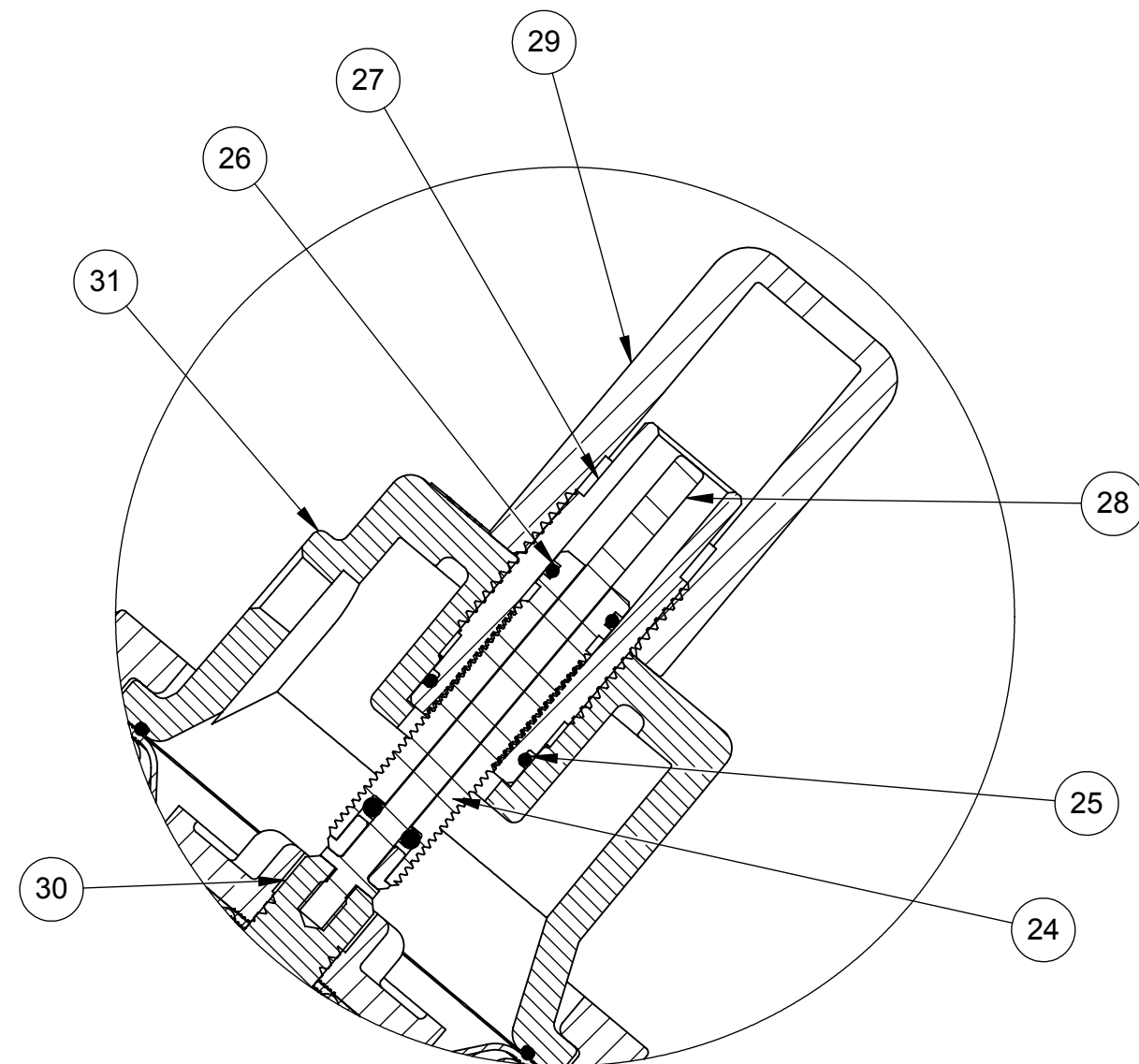
1071282 (K531-X201-14000)
SPRING ASSIST OPEN

LIMIT STOP MODEL

ITEM NO.	DESCRIPTION	PART NUMBER	QTY.
18	SCREW, LIMIT STOP	1073308	1
19	O-RING,2-012	BUNA N	1071668
		FKM	1071787
20	GUIDE, LIMIT STOP , K531	1073304	1
21	O-RING,2-016	BUNA N	1071671
		FKM	1071789
22	CAP, LIMIT STOP / POS. IND.	1073288	1

SPRING ASSIST CLOSED & SPRING ASSIST OPEN MODELS

ITEM NO.	DESCRIPTION	PART NUMBER	QTY.
23	SPRING, COMPRESSION	1073283	1



K531-X221-14000
LIMIT STOP/POSITION INDICATOR

REPAIR PARTS KITS	
DESCRIPTION	PART NO.
INT. PARTS KIT (LIMIT STOP) CONSISTS OF ITEM NO'S 18 THRU 21	1075226
INT. PARTS KIT (SPRING ASSIST CLOSED) CONSISTS OF ITEM NO. 23	1075229
INT. PARTS KIT (SPRING ASSIST OPEN) CONSISTS OF ITEM NO. 23	1075229
INT. PARTS KIT (LIMIT STOP/POS INDICATOR) CONSISTS OF ITEM NO'S 24 THRU 30	1075227

CONVERSION KITS	
DESCRIPTION	PART NO.
CONVERSION KIT (LIMIT STOP) CONSISTS OF ITEM NO'S 18 THRU 22	1071265
CONVERSION KIT (SPRING ASSIST CLOSED) CONSISTS OF ITEM NO. 23	1075229
CONVERSION KIT (SPRING ASSIST OPEN) CONSISTS OF ITEM NO. 23	1075229
CONVERSION KIT (LIMIT STOP/POS INDICATOR) CONSISTS OF ITEM NO'S 24 THRU 31	1071266

LIMIT STOP/POSITION INDICATOR MODEL

ITEM NO.	DESCRIPTION	PART NUMBER	QTY.
24	SCREW, LIMIT STOP, ASSY.	1073315	1
25	O-RING, -016	FKM	1071789
		BUNA N	1071671
26	O-RING2-012	BUNA N	1071668
		FKM	1071787
27	GUIDE, LIMIT STOP/POS IND,K531, PVC	1073303	1
28	ROD, PI, K531	SS	1073298
29	POSITION INDICATOR,SIGHT GLASS	1073297	1
30	SHAFT,531,PI,MCHD	NORYL	1073295
31	CAP, LIMIT STOP / POS. IND.	1073288	1

SEE REVERSE SIDE FOR STANDARD NORMALLY OPEN MODEL

<small>COMPONENTS / ASSEMBLIES TO BE COMPLIANT AND COMPATIBLE WITH EUROPEAN UNION DIRECTIVE 2011/65/EEC (RoHS2) & REGULATION (EC)1907/2006 (REACH) REQUIREMENTS</small>					
<small>THIS DOCUMENT IS SOLELY THE PROPERTY OF AQ Matic VALVE & CONTROLS COMPANY INC. REPRODUCTION, USE, DISCLOSURE, OR TRANSMISSION OF THIS DOCUMENT OR DETAILS CONTAINED HEREIN, IN PART OR IN WHOLE, IS PROHIBITED WITHOUT THE WRITTEN CONSENT OF AQ Matic ENGINEERING. THIS DOCUMENT AND ANY COPIES SHALL BE RETURNED TO AQ Matic UPON REQUEST.</small>			THIRD ANGLE PROJECTION		
APPROVALS	DATE	TITLE			
DRAWN	MWL	06-28-13	CATALOG SHEET, 531		
APPROVED			SIZE	DWG NO.	REV
CHECKED			B	BR1077688	K
			SCALE	1:2	SHEET 2 OF 2

DO NOT SCALE DRAWING. DIMS. ARE IN INCHES [mm]
INTERPRET DIMS AND TOLERANCES PER ASME Y14.5M -2009
UNLESS OTHERWISE SPECIFIED.
ALL FINISHED MACHINED SURFACES 125 √ OR BETTER.
TOLERANCES:
ANGLES : ± 1°
1 PLACE .X: ± .015 [0.38]
2 PLACE .XX: ± .01 [0.3]
3 PLACE .XXX: ± .005 [0.13]