

1070308 (K534-X200-14000)  
NORMALLY OPEN (STANDARD)

REPAIR PARTS KITS		
DESCRIPTION	PART NO.	
DIAPHRAGM & SEALS KIT CONSISTS OF ITEM NO'S 3,5(3),6(2),10,11,13,17	1070319 (534-RAF) E.P.D.M. INCLUDES DIAPHRAGM 1073333 (V534-100)	1070327 (534-RAJ) BUTYL INCLUDES DIAPHRAGM 1073333 (V534-100)
	1070335 (534-RAV) FKM INCLUDES DIAPHRAGM 1073333	
INT. PARTS KIT CONSISTS OF ITEM NO'S 3,4,7,8,9,14,16,18	1070343 (K534-RF)	
ASSEMBLY TOOLS		
DESCRIPTION	PART NO.	
LIMIT STOP TOOL (TOOL NOT SHOWN)	1073556 (V560-579)	
STRAP WRENCH (TOOL NOT SHOWN)	1073557 (V560-581)	

REVISIONS					
ZONE	ECN	REV.	DESCRIPTION	DATE	APP'D
	20969	F	REDRAWN IN SOLID WORKS: 1-REM'D BR1242719, 2-REM'D: BR1076765, 3-ADD'D: BR1071745, 4-REM'D: BR1073331, 5-REM'D: BR1073354, 6-REM'D: BR1071830, 7-REM'D: BR1073321, 8-REM'D: BR1073319, 9-REM'D: BR1071817, 10-REM'D: 1071816, 11-WAS: BUTYL, NOW: BUNA N, 12-REM'D: BR1073351	04/05/10	TJM
	33909	G	1-NEW CAP DESIGN, PART NUMBER STAYS THE SAME	11-9-11	TMS
	102742	H	REPLACED DRAWING NUMBER WITH FORM NUMBER, UPDATED TABLES, SEE ECN FOR LIST OF WHAT CHG'D.	11/15/13	TJM
	130461	J	UPDATED POSITION INDICATOR VIEW TO SHOW CORRECT PARTS, NO BOM CHANGES MADE	04JUN14	TJM
	105094	K	1-ITEM#11- REM'D: 1073334, 2-KIT#1070335 WAS: 1073334 DIAPHRAGM.	11NOV15	TJM

ITEM NO.	DESCRIPTION	MATERIAL	PART NUMBER	QTY.
1	BODY		1073344 (V534-410K)	1
2	DISC PLATE	PVC	1073330 (V534-093)	1
3	DISC	EPDM	1073337 (V534-110)	1
		BUTYL	1073338 (V534-111)	
		FKM	1073339 (V534-112)	
4	DISC HOLDER	PVC	1073353 (V534-500)	1
5	O-RING	EPDM	1071745 (ORE-212)	3
		BUTYL	1071777 (ORJ-212)	
		FKM	1071816 (ORV-212)	
6	O-RING	EPDM	1071751 (ORE-228)	4
		BUTYL	1071781 (ORJ-228)	
		FKM	1071822 (ORV-228)	
7	RETAINING RING		1073375 (V534-593)	1
8	SHAFT GUIDE	PVC	1073350 (V534-491)	1
9	SHAFT	PVC	1073360 (V534-533)	1
10	O-RING	BUNA N	1071709 (ORB-240)	1
11	DIAPHRAGM	BUNA N	1073333 (V534-100)	1
12	CAP RETAINER NUT		1073458 (V537-080K)	1
13	O-RING	BUNA N	1071707 (ORB-235)	1
		FKM	1071827 (ORV-235)	
14	LOWER DIA. PLATE	PVC	1073320 (V534-045)	1
15	CAP		1073317 (V534-020K)	1
16	UPPER DIA. PLATE	PVC	1073318 (V534-040)	1
17	O-RING	BUNA N	1076766 (ORB-214)	1
18	DIAPH. SUPPORT		1073366 (V534-551K)	1
19	SOCKET RTNG NUT		1073329 (V534-080K)	2

SEE PAGE-2 FOR CONFIGURATION OPTIONS  
NOTE:  
CONNECTORS NOT FURNISHED WITH VALVE.  
SEE FORM. NO. BR1078165 (DWG. 1084006) FOR FEMALE SOCKET WELD CONNECTORS.

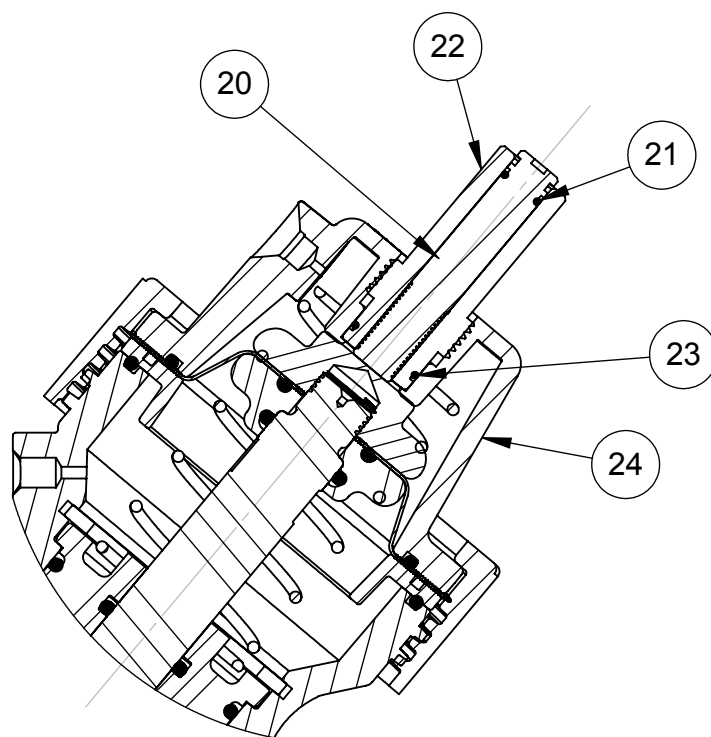
COMPONENTS / ASSEMBLIES TO BE COMPLIANT AND COMPATIBLE WITH EUROPEAN UNION DIRECTIVE 2011/65/EEC (RoHS2) & REGULATION (EC)1907/2006 (REACH) REQUIREMENTS

THIS DOCUMENT IS SOLELY THE PROPERTY OF AQ Matic VALVE & CONTROLS COMPANY INC. REPRODUCTION, USE, DISCLOSURE, OR TRANSMISSION OF THIS DOCUMENT OR DETAILS CONTAINED HEREIN, IN PART OR IN WHOLE, IS PROHIBITED WITHOUT THE WRITTEN CONSENT OF AQ Matic ENGINEERING. THIS DOCUMENT AND ANY COPIES SHALL BE RETURNED TO AQ Matic UPON REQUEST.

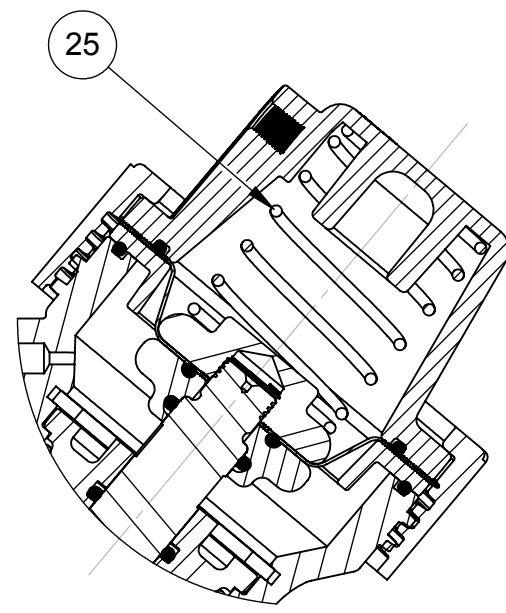
DO NOT SCALE DRAWING. DIMS. ARE IN INCHES [mm]  
INTERPRET DIMS AND TOLERANCES PER ASME Y14.5M-2009 UNLESS OTHERWISE SPECIFIED.  
ALL FINISHED MACHINED SURFACES 125 ✓ OR BETTER.  
TOLERANCES:  
ANGLES: ± 1°  
1 PLACE .X: ± .015 [0.38]  
2 PLACE .XX: ± .01 [0.3]  
3 PLACE .XXX: ± .005 [0.13]

THIRD ANGLE PROJECTION	APPROVALS	DATE	AQ Matic Valve & Controls Company Inc.	
	ANH	11/13/13	TITLE CATALOG SHEET, 534	
	APPROVED		SIZE B	DWG NO. 1077689
	CHECKED		SCALE 1:2	REV M

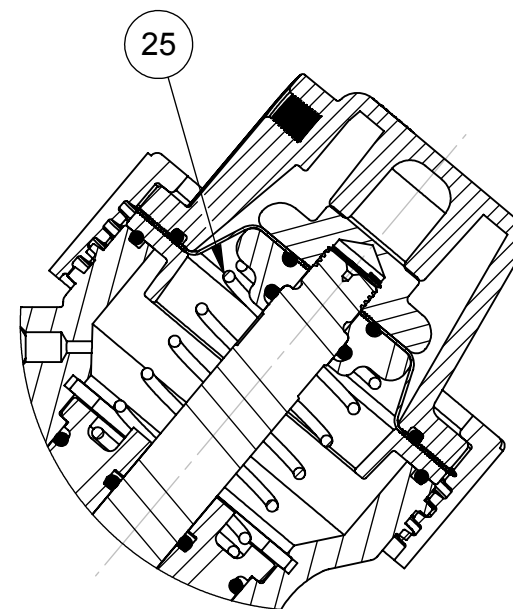
SHEET 1 OF 2



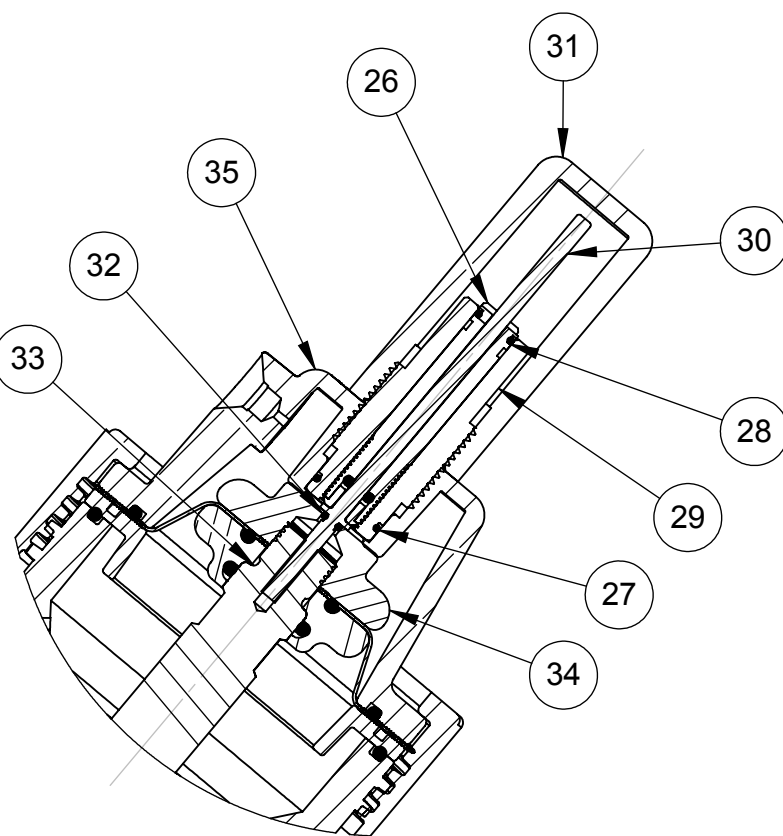
1070309 (K534-X210-14000)  
**LIMIT STOP**



1071332 (K534-X202-14000)  
**SPRING ASSIST CLOSED**



1071329 (K534-X201-14000)  
**SPRING ASSIST OPEN**



1071313 (K534-X2A1-14000)  
**LIMIT STOP/  
POSITION INDICATOR**

### REPAIR PARTS KITS

DESCRIPTION	PART NO.
INT. PARTS KIT (LIMIT STOP) CONSISTS OF ITEM NO'S 20 THRU 23	1075230 (534-LS)
INT. PARTS KIT (SPRING ASSIST CLOSED) CONSISTS OF ITEM NO. 25	1075233 (534-S)
INT. PARTS KIT (SPRING ASSIST OPEN) CONSISTS OF ITEM NO.25	1075233 (534-S)
INT. PARTS KIT (LIMIT STOP/POS INDICATOR) CONSISTS OF ITEM NO'S 26 THRU 34	1075231 (534-PI)

### CONVERSION KITS

DESCRIPTION	PART NO.
CONVERSION KIT (LIMIT STOP) CONSISTS OF ITEM NO'S 20 THRU 24	1071308 (K54-LSC)
CONVERSION KIT (SPRING ASSIST CLOSED) CONSISTS OF ITEM NO.25	1075233 (534-S)
CONVERSION KIT (SPRING ASSIST OPEN) CONSISTS OF ITEM NO.25	1075233 (534-S)
CONVERSION KIT (POSITION INDEicator) CONSISTS OF ITEM NO'S 26 THRU 35	1071309 (K534-PIC)

THIS DOCUMENT IS SOLELY THE PROPERTY OF AQ Matic VALVE & CONTROLS COMPANY INC. REPRODUCTION, USE, DISCLOSURE, OR TRANSMISSION OF THIS DOCUMENT OR DETAILS CONTAINED HEREIN, IN PART OR IN WHOLE, IS PROHIBITED WITHOUT THE WRITTEN CONSENT OF AQ Matic ENGINEERING. THIS DOCUMENT AND ANY COPIES SHALL BE RETURNED TO AQ Matic UPON REQUEST.

DO NOT SCALE DRAWING. DIMS. ARE IN INCHES [mm]  
INTERPRET DIMS AND TOLERANCES PER ASME Y14.5M-2009  
UNLESS OTHERWISE SPECIFIED:  
ALL FINISHED MACHINED SURFACES 125 ✓ OR BETTER.  
TOLERANCES:  
ANGLES: ± 1°  
1 PLACE .X: ± .015 [0.38]  
2 PLACE .XX: ± .01 [0.3]  
3 PLACE .XXX: ± .005 [0.13]

THIRD ANGLE PROJECTION	
APPROVALS	DATE
DRAWN ANH	11/13/13
APPROVED	
CHECKED	

		AQ Matic Valve & Controls Company Inc.	
TITLE CATALOG SHEET, 534			
SIZE B	DWG NO. 1077689	REV M	
SCALE 1:2		SHEET 2 OF 2	

REVISIONS					
ZONE	ECN	REV.	DESCRIPTION	DATE	APP'D
	1001	M	AQ Matic update & verified part numbers	20JAN17	MGS

### LIMIT STOP MODEL

ITEM NUMBER	DESCRIPTION	MATERIAL	PART NUMBER	QTY.
20	ADJUSTING SCREW		1073373 (V534-576)	1
21	O-RING	BUNA N	1071668 (ORB-012)	1
		FKM	1071787 (ORV-012)	
22	LS GUIDE	PVC	1073369 (V535-571)	1
23	O-RING	BUNA N	1071673 (ORB-018)	1
		FKM	1071790 (ORV-018)	
24	CAP		1073345 (V534-420K)	1

### SPRING ASSIST CLOSED MODEL & SPRING ASSIST OPEN MODEL

ITEM NUMBER	DESCRIPTION	MATERIAL	PART NUMBER	QTY.
25	SPRING		1073340 (V534-170)	1

### LIMIT STOP/ POSITION INDICATOR MODEL

ITEM NUMBER	DESCRIPTION	MATERIAL	PART NUMBER	QTY.
26	SCREW ASSY		1081128 (V534-700)	1
27	O-RING	BUNA N	1071673 (ORB-018)	1
		FKM	1071790 (ORV-018)	
28	O-RING	BUNA N	1071668 (ORB-012)	1
		FKM	1071787 (ORV-012)	
29	LS/PI GUIDE	PVC	1073368 (V534-570)	1
30	INDICATOR SHAFT, PI		1073367 (V534-555)	1
31	PI CLEAR CAP, SIGHT GLASS		1073365 (V534-550)	1
32	O-RING		1071666 (ORB-006)	1
33	SHAFT	PVC	1073362 (V534-535)	1
		NORYL	1073363 (V534-536)	
34	UPPER DIA. PLATE	PVC	1073346 (V534-442)	1
35	CAP		1073345 (V534-420K)	1

SEE SHEET 1 FOR  
STANDARD NORMALLY OPEN MODEL

COMPONENTS / ASSEMBLIES TO BE COMPLIANT AND COMPATIBLE WITH EUROPEAN UNION DIRECTIVE 2002/95/EEC (RoHS) REQUIREMENTS