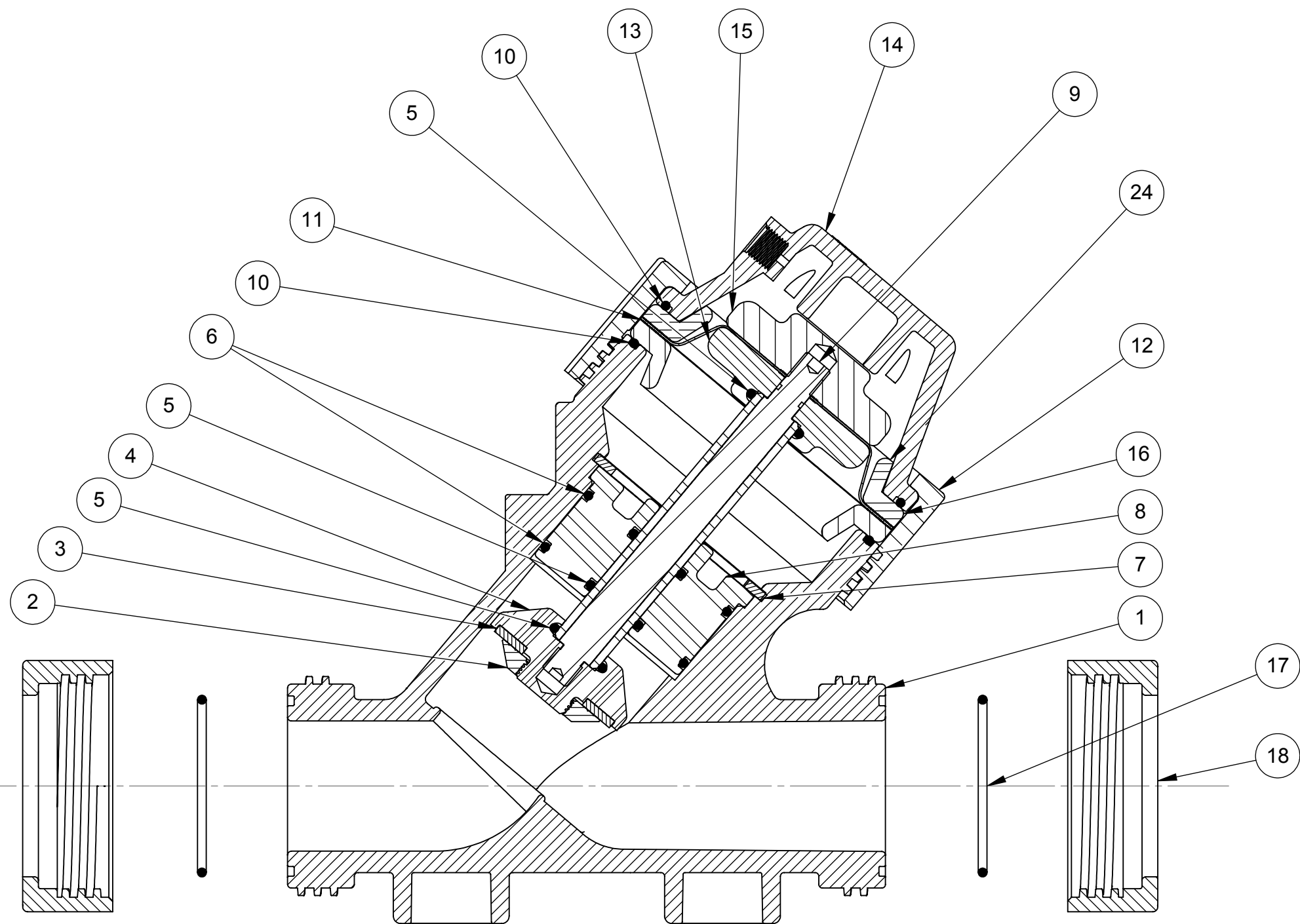


ASSEMBLY TOOLS	
DESCRIPTION	PART NO.
LIMIT STOP TOOL (TOOL NOT SHOWN)	1073556
STRAP WRENCH (TOOL NOT SHOWN)	1073557

NOTE:
CONNECTORS NOT FURNISHED WITH VALVE.
SEE DWG. NO. 1078165 FOR FEMALE SOCKET WELD CONNECTORS.



1070312 (K535-X200-14000)
NORMALLY OPEN (STANDARD)

REVISIONS					
ZONE	ECN	REV.	DESCRIPTION	DATE	APP'D
	102159	H	REDRAWN IN SOLIDWORKS, 1-REM'D: BUTYL O-RINGS, 2-REM'D: TEFLON COATED O-RINGS	17APR14	TJM
	105094	J	1-ITEM #11- REM'D: FKM-1073400	12NOV15	TJM
	1001	K	AQ Matic update & verified part numbers	16JAN17	MGS

ITEM NO.	DESCRIPTION	PART NUMBER	QTY.
1	VALVE BODY, SERIES 535	1073407	1
2	NUT, DISC RETAINING	PVC 1073396	1
3	DISC, V535	EPDM 1073401	1
		FKM 1073403	
4	HOLDER, DISC, 535	PVC 1073416	1
5	O-RING, -212	EPDM 1071745	4
		FKM 1071816	
6	O-RING, -232	EPDM 1071753	2
		FKM 1071825	
7	RING, RETAINING, SERIES 535	1073434	1
8	GUIDE, SHAFT, V535	PVC 1073413	1
9	ASSEMBLY, SHAFT, V535 / 2" VLV	1073439	1
10	O-RING, 2-248	BUNA 1071712	2
		FKM 1071833	
11	DIAPHRAGM, SERIES 535	BUNA 1073399	1
12	NUT, RETAINING, 535, NORYL	1073383	1
13	PLATE, LOWER DIAPHRAGM	PVC 1073386	1
14	CAP, K535	1073382	1
15	PLATE, DIAPHRAGM, 535, UPR, PI	PVC 1073384	1
16	DIAPHRAGM, SUPPORT, K535	1073425	2
17	O-RING, -231	EPDM 1071752	2
		FKM 1071824	
18	NUT, SOCKET RETAINING, 535	1073395	2


REPAIR PARTS KITS	
DESCRIPTION	PART NO.
DIAPHRAGM & SEALS KIT CONSISTS OF ITEM NO'S 3, 5, 6, 10, 11, 17	1070320 E.P.D.M. INCLUDES DIAPHRAGM 1073399
	1082191 FKM INCLUDES DIAPHRAGM 1073399
INT. PARTS KIT CONSISTS OF ITEM NO'S 2, 4, 7, 8, 9, 13, 15, 16	1070344

SEE REVERSE SIDE FOR CONFIGURATION OPTIONS

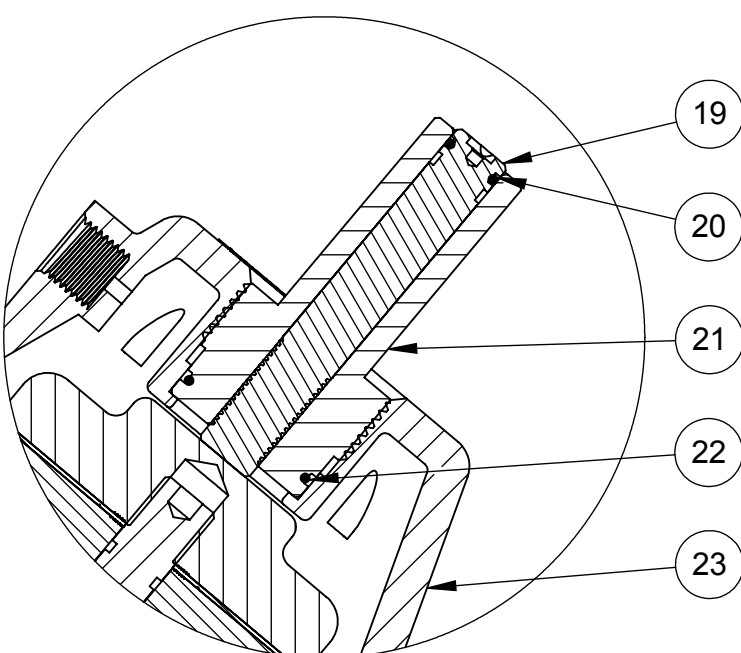
COMPONENTS / ASSEMBLIES TO BE COMPLIANT AND COMPATIBLE WITH EUROPEAN UNION DIRECTIVE 2011/65/EEC (ROHS2) & REGULATION (EC)1907/2006 (REACH) REQUIREMENTS

THIS DOCUMENT IS SOLELY THE PROPERTY OF AQ Matic VALVE & CONTROLS COMPANY INC. REPRODUCTION, USE, DISCLOSURE, OR TRANSMISSION OF THIS DOCUMENT OR DETAILS CONTAINED HEREIN, IN PART OR IN WHOLE, IS PROHIBITED WITHOUT THE WRITTEN CONSENT OF AQ Matic ENGINEERING. THIS DOCUMENT AND ANY COPIES SHALL BE RETURNED TO AQ Matic UPON REQUEST.

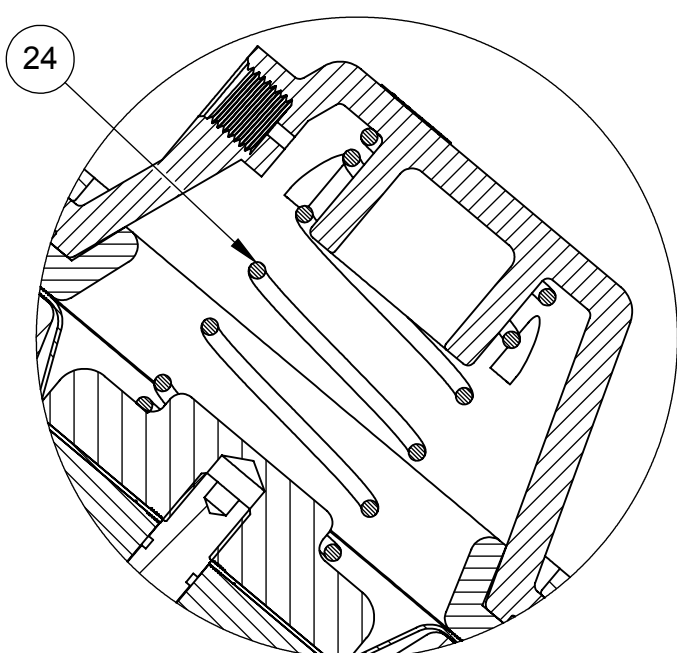
DO NOT SCALE DRAWING. DIMS. ARE IN INCHES [mm]. INTERPRET DIMS AND TOLERANCES PER ASME Y14.5M-2009 UNLESS OTHERWISE SPECIFIED. ALL FINISHED MACHINED SURFACES 125 √ OR BETTER. TOLERANCES:
 ANGLES: ± 1°
 1 PLACE .X: ± .015 [0.38]
 2 PLACE .XX: ± .01 [0.3]
 3 PLACE .XXX: ± .005 [0.13]

THIRD ANGLE PROJECTION	APPROVALS	DATE	 AQ Matic Valve & Controls Company Inc.
	MWL	07-01-13	

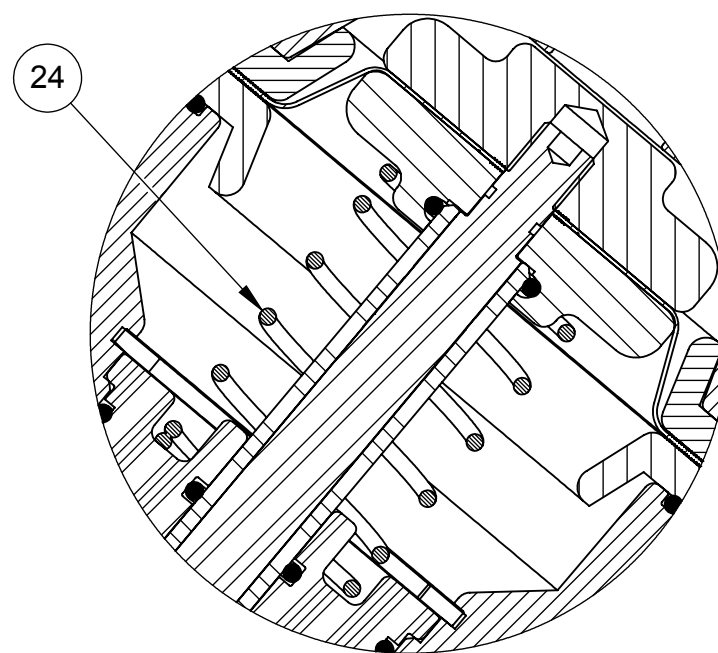
TITLE		CATALOG SHEET, 535	
SIZE	B	DWG NO.	BR1077690
SCALE	1:4	REV	K
		SHEET 1 OF 2	



1070313 (K535-X210-14000)
LIMIT STOP



1071367 (K535-X202-14000)
SPRING ASSIST CLOSED



1071365 (K535-X201-14000)
SPRING ASSIST OPEN

REVISIONS					
ZONE	ECN	REV.	DESCRIPTION	DATE	APP'D
SEE SHEET 1 FOR LIST OF CHANGES					

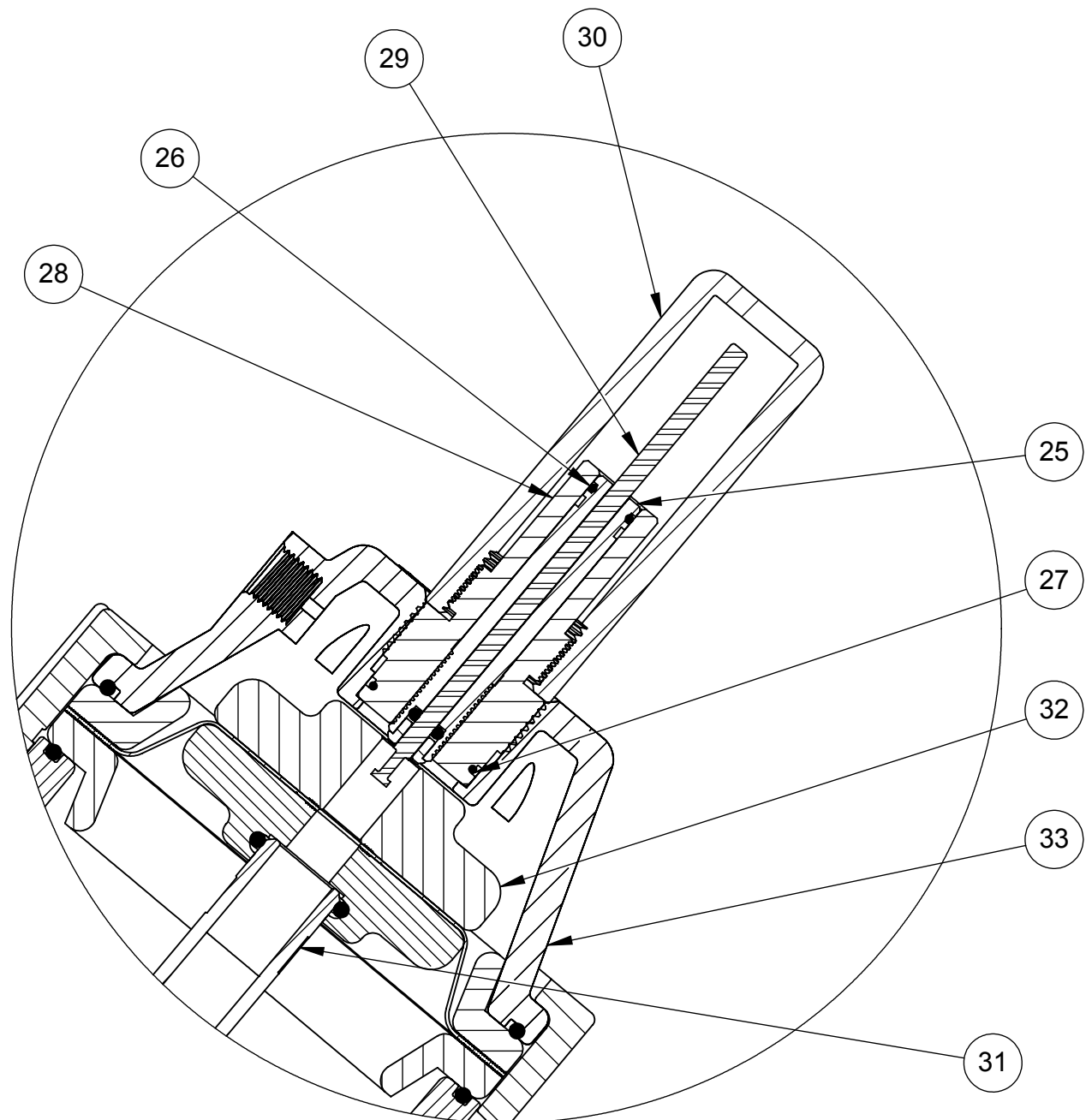
LIMIT STOP MODEL			
ITEM NO.	DESCRIPTION	PART NUMBER	QTY.
19	SCREW, LIMIT STOP	1073432	1
20	O-RING,2-012,	BUNA 1071668	1
		FKM 1071787	1
21	GUIDE, LIMIT STOP , K535	PVC 1073428	1
22	O-RING,2-024,	BUNA 1071676	1
		FKM 1071791	1
23	CAP, 2" VALVE, LS/PI,V535	1073408	1

SPRING ASSIST CLOSED & SPRING ASSIST OPEN MODELS			
ITEM NO.	DESCRIPTION	PART NUMBER	QTY.
24	SPRING, COMPRESSION	1073404	1

LIMIT STOP/POSITION INDICATOR MODEL			
ITEM NO.	DESCRIPTION	PART NUMBER	QTY.
25	LS/PI SCREW, ASSY	1073437	1
26	O-RING,2-012,	BUNA 1071668	1
		FKM 1071787	
27	O-RING,2-024,	BUNA 1071676	1
		FKM 1071791	
28	GUIDE, LIMIT STOP , K535	PVC 1073427	1
29	INDICATOR, POSITION, K535	1073426	1
30	SIGHT GLASS, POS INDICATOR 535	1073424	1
31	SUB-ASSY, SHAFT, 535, PI / LS	1073438	1
32	PLATE,DIAPHRAGM,535,UPR,PI	PVC 1073409	1
33	CAP, 2" VALVE, LS/PI,V535	1073408	1

REPAIR PARTS KITS	
DESCRIPTION	PART NO.
INT. PARTS KIT (LIMIT STOP) CONSISTS OF ITEM NO'S 19 THRU 22	1075234
INT. PARTS KIT (SPRING ASSIST CLOSED) CONSISTS OF ITEM NO 24	1075236
INT. PARTS KIT (SPRING ASSIST OPEN) CONSISTS OF ITEM NO 24	1075236
INT. PARTS KIT (POSITION INDICATOR) CONSISTS OF ITEM NO'S 25 THRU 32	1075235

CONVERSION KITS	
DESCRIPTION	PART NO
CONVERSION KIT (LIMIT STOP) CONSISTS OF ITEM NO'S 19 THRU 23	1071343
CONVERSION KIT (SPRING ASSIST CLOSED) CONSISTS OF ITEM NO 24	1075236
CONVERSION KIT (SPRING ASSIST OPEN) CONSISTS OF ITEM NO 24	1075236
CONVERSION KIT (POSITION INDICATOR) CONSISTS OF ITEM NO'S 25 THRU 33	1071344



1071347 (K535-X221-14000)
LIMIT STOP/POSITION INDICATOR

SEE REVERSE SIDE FOR STANDARD NORMALLY OPEN MODEL

<small>COMPONENTS / ASSEMBLIES TO BE COMPLIANT AND COMPATIBLE WITH EUROPEAN UNION DIRECTIVE 2011/65/EEC (RoHS2) & REGULATION (EC)1907/2006 (REACH) REQUIREMENTS</small> THIS DOCUMENT IS SOLELY THE PROPERTY OF AQ Matic VALVE & CONTROLS COMPANY INC. REPRODUCTION, USE DISCLOSURE, OR TRANSMISSION OF THIS DOCUMENT OR DETAILS CONTAINED HEREIN, IN PART OR IN WHOLE, IS PROHIBITED WITHOUT THE WRITTEN CONSENT OF AQ Matic ENGINEERING. THIS DOCUMENT AND ANY COPIES SHALL BE RETURNED TO AQ Matic UPON REQUEST.					
THIRD ANGLE PROJECTION		APPROVALS DATE 07-01-13		AQ Matic Valve & Controls Company Inc.	
DO NOT SCALE DRAWING. DIMS. ARE IN INCHES [mm] INTERPRET DIMS AND TOLERANCES PER ASME Y14.5M -2009 UNLESS OTHERWISE SPECIFIED: ALL FINISHED MACHINED SURFACES 125 √ OR BETTER. TOLERANCES: ANGLES: ± 1° 1 PLACE .X: ± .015 [0.38] 2 PLACE .XX: ± .01 [0.3] 3 PLACE .XXX: ± .005 [0.13]		DRAWN MWL APPROVED CHECKED		TITLE CATALOG SHEET, 535 SIZE B DWG NO. BR1077690 REV K SCALE 1:4 SHEET 2 OF 2	