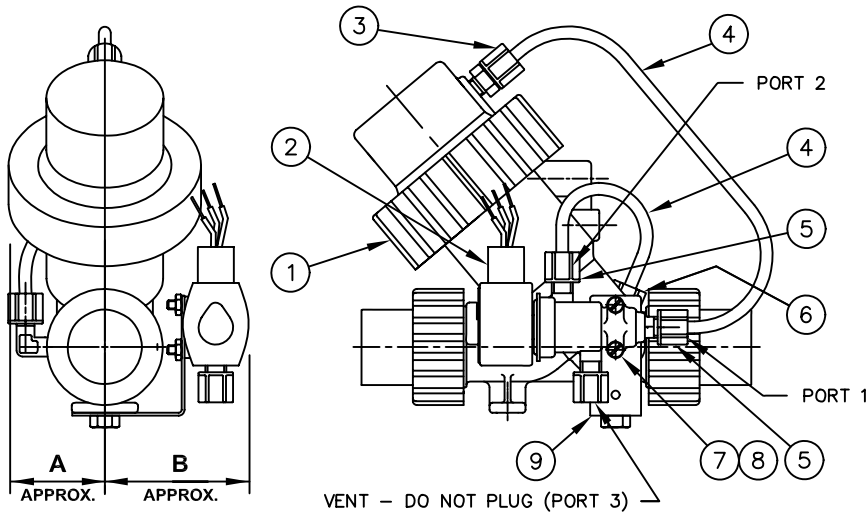


NOTE:

1. LENGTH OF TUBING VARIES WITH EACH SIZE OF DIAPHRAGM VALVE.
2. DIAPHRAGM VALVE IS NORMALLY OPEN, PRESSURE TO CLOSE
3. BOSS NO. 1 ON VALVE TAPPED 1/8" N.P.T. (531,534) 1/4" N.P.T. (535,537)
4. DRY DRAIN OPTION - VENT PORT OF SOLENOID IS CONNECTED TO DOWNSTREAM SIDE OF VALVE.

NO.	DESCRIPTION	PART NO.	QTY.
1	DIAPHRAGM VALVE - NORMALLY OPEN		1
2	3 WAY SOLENOID VALVE (NEMA 4 ONLY)	110 V. 60 HZ.	1075637 (8360A71)
		220 V. 50 HZ.	1075638 (8360A71V)
		24 V. 60 HZ.	1075639 (8360A71VV)
3	1/8" M. X 1/4" TUBE	531,534	1071935 (PTP-0001)
	1/4" M. X 1/4" TUBE	535,537	1071941 (PTP-0019)
4	NYLON TUBING - BLACK (1/4" O.D.) (NOTE 1)	1071936 (PTP-0005)	N/A
5	NUT AND SLEEVE ASSEMBLY (1/4" TUBE)	1071939 (PTP-0009)	3
6	1/8" M. X 1/4" TUBE	531,534	1071937 (PTP-0006)
	1/4" M. X 1/4" TUBE	535,537	1071938 (PTP-0008)
7	RD. HD. MACH. SCREW (8-32 X 1 1/4")	1072377 (SCS-0086)	2
8	HEX NUT (8-32)	1071646 (NUS-0004)	2
9	SOLENOID MOUNTING BRACKET	1073272 (V531-070)	1



ENERGIZED TO CLOSE

SOLENOID ENERGIZED.

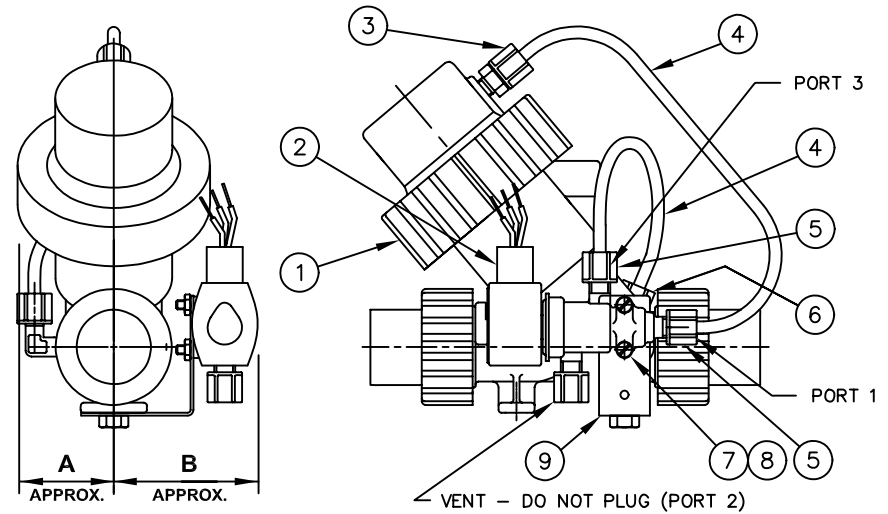
UPSTREAM PRESSURE, FROM SOLENOID PORT 2 TO PORT 1, IS APPLIED TO UPPER DIAPHRAGM CHAMBER TO CLOSE THE DIAPHRAGM VALVE.

SOLENOID DE-ENERGIZED.

PRESSURE FROM UPPER DIAPHRAGM CHAMBER IS VENTED, THROUGH SOLENOID PORT 1 TO PORT 3 TO DRAIN. UPSTREAM PRESSURE OPENS THE DIAPHRAGM VALVE.

VALVE SERIES	PIPE SIZE	A	B
531	3/4", 1"	2.04	3.00
		51.8	76.2
534	1-1/2"	2.62	4.00
		66.5	101.6
535	2"	3.18	4.12
		80.8	104.6
537	3"	3.79	4.12
		96.3	104.6

INCHES
MILLIMETERS



ENERGIZED TO OPEN

SOLENOID DE-ENERGIZED.

UPSTREAM PRESSURE, FROM SOLENOID PORT 3 TO PORT 1, IS APPLIED TO UPPER DIAPHRAGM CHAMBER TO CLOSE THE DIAPHRAGM VALVE.

SOLENOID ENERGIZED.

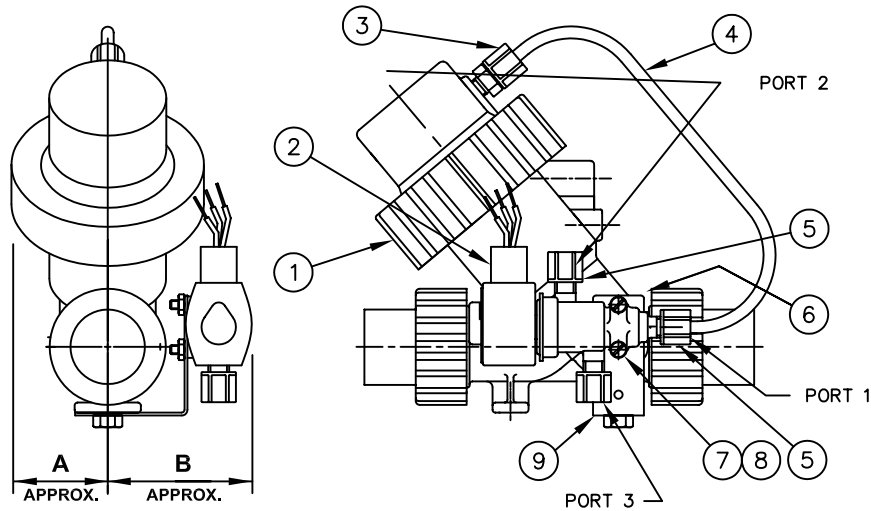
PRESSURE FROM UPPER DIAPHRAGM CHAMBER IS VENTED, THROUGH SOLENOID PORT 1 TO PORT 2 TO DRAIN. UPSTREAM PRESSURE OPENS THE DIAPHRAGM VALVE.

B	NUMBER	CONVERSION	1588	MSM	19DEC02
REV	DESCRIPTION		ECO	DWN	DATE
<i>AQmatic</i>			16605 West Victor Rd New Berlin, WI 53151 262-326-0100 www.aq-matic.com		
SERIES 530 DIAPHRAGM VALVES					
SOLENOID OPERATED VALVES					
SCALE	DRAWN	DATE	DWG. NO.		
N/A	JWB	29JUN01	1078170		

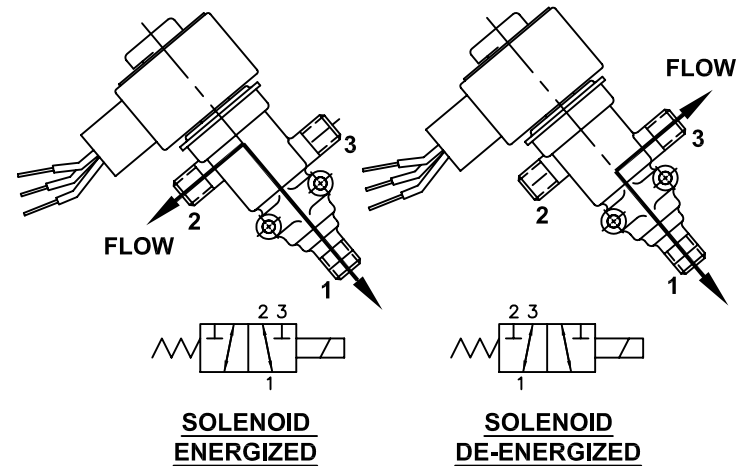
SOLENOID OPERATED DIAPHRAGM VALVES

NOTE:

1. LENGTH OF TUBING VARIES WITH EACH SIZE OF DIAPHRAGM VALVE.
2. DIAPHRAGM VALVE IS NORMALLY OPEN



NO.	DESCRIPTION	PART NO.	QTY.
1	DIAPHRAGM VALVE – NORMALLY OPEN		1
2	3 WAY SOLENOID VALVE (NEMA 4 ONLY)	110 V. 60 HZ.	1075637 (8360A71)
		220 V. 50 HZ.	1075638 (8360A71V)
		24 V. 60 HZ.	1075639 (8360A71VV)
3	COUPLING 1/8" M. X 1/4" TUBE	531,534	1071935 (PTP-0001)
	1/4" M. X 1/4" TUBE	535,537	1071941 (PTP-0019)
4	NYLON TUBING – BLACK (1/4" O.D.) (NOTE 1)	1071936 (PTP-0005)	N/A
5	NUT AND SLEEVE ASSEMBLY (1/4" TUBE)	1071939 (PTP-0009)	3
6	90° ELBOW 1/8" M. X 1/4" TUBE	531,534	1071937 (PTP-0006)
		1/4" M. X 1/4" TUBE	535,537
7	RD. HD. MACH. SCREW (8-32 X 1 1/4")	1072377 (SCS-0086)	2
8	HEX NUT (8-32)	1071646 (NUS-0004)	2
9	SOLENOID MOUNTING BRACKET	1073272 (V531-070)	1



INDEPENDENT CONTROL PRESSURE

ENERGIZE TO OPEN

APPLY CONTROL PRESSURE AT SOLENOID PORT NO. 3
(PORT NO. 2 VENTED)

ENERGIZE TO CLOSE

APPLY CONTROL PRESSURE AT SOLENOID PORT NO. 2
(PORT NO. 3 VENTED)

CONTROL PRESSURE MUST BE EQUAL TO OR GREATER
THAN LINE PRESSURE.

VALVE SERIES	PIPE SIZE	A	B
531	3/4", 1"	2.04	3.00
		51.8	76.2
534	1-1/2"	2.62	4.00
		66.5	101.6
535	2"	3.18	4.12
		80.8	104.6
537	3"	3.79	4.12
		96.3	104.6

INCHES
MILLIMETERS

CURRENT DRAIN (AMPERES)		
VOLTAGE	INRUSH	HOLDING
24V 60Hz	1.66	1.04
120V 60Hz	0.33	0.21
220V 50Hz	0.18	0.11

FORM NO. 1078172

B	NUMBER	CONVERSION	1588	MSM	19DEC02
REV	DESCRIPTION	ECO	DWN	DATE	APVD

16605 West Victor Rd
New Berlin, WI 53151
262-326-0100
www.aq-matic.com

SERIES 530 DIAPHRAGM VALVES
SOLENOID OPERATED VALVES

SCALE N/A	DRAWN JWB	DATE 29JUN01	DWG. NO. 1078170
--------------	--------------	-----------------	---------------------