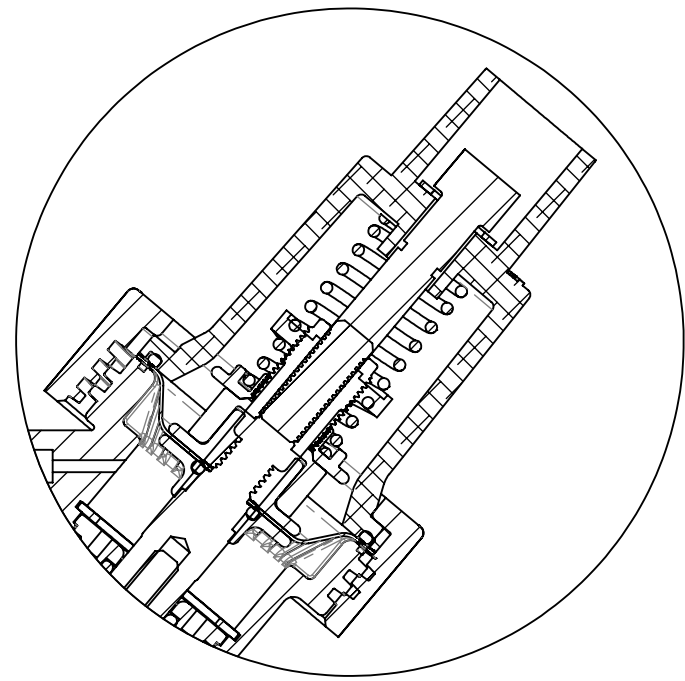
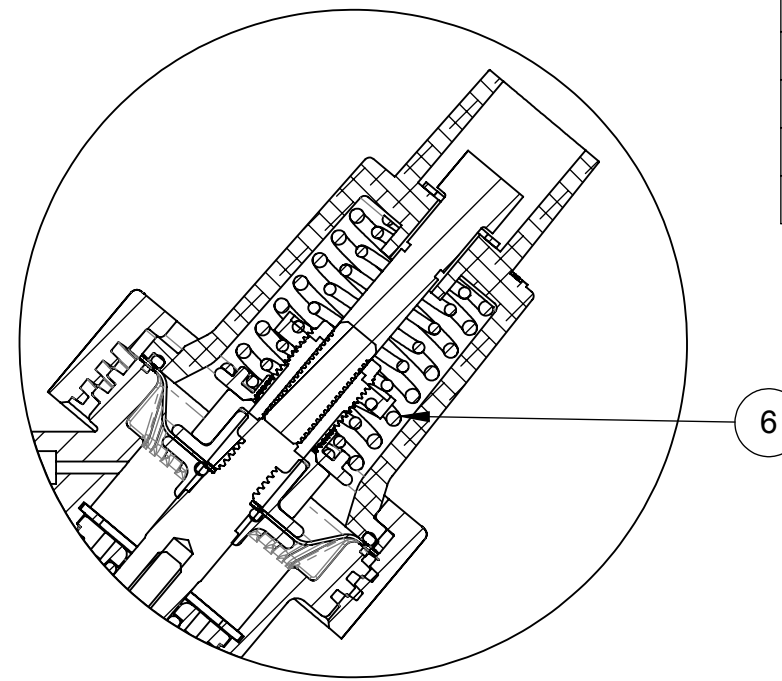


REVISIONS					
ZONE	ECN	REV.	DESCRIPTION	DATE	APP'D
	22262	H	RELEASE INTO THE SYSTEM; REDRAWN IN SOLIDWORKS WITH NEW FORMAT.	05-21-10	MHM
	33763	J	CORRECTED ERROR WHERE #60 HAD ONLY 1 SPRING (BOTH SHEETS)	10-11-11	TMS
	100024	K	1-NEEDED UPDATE FOR COMPONENTS THAT HAVE BEEN CHANGED	11-28-11	TMS
	1001	L	AQ Matic update & verified part numbers	4/4/17	MGS

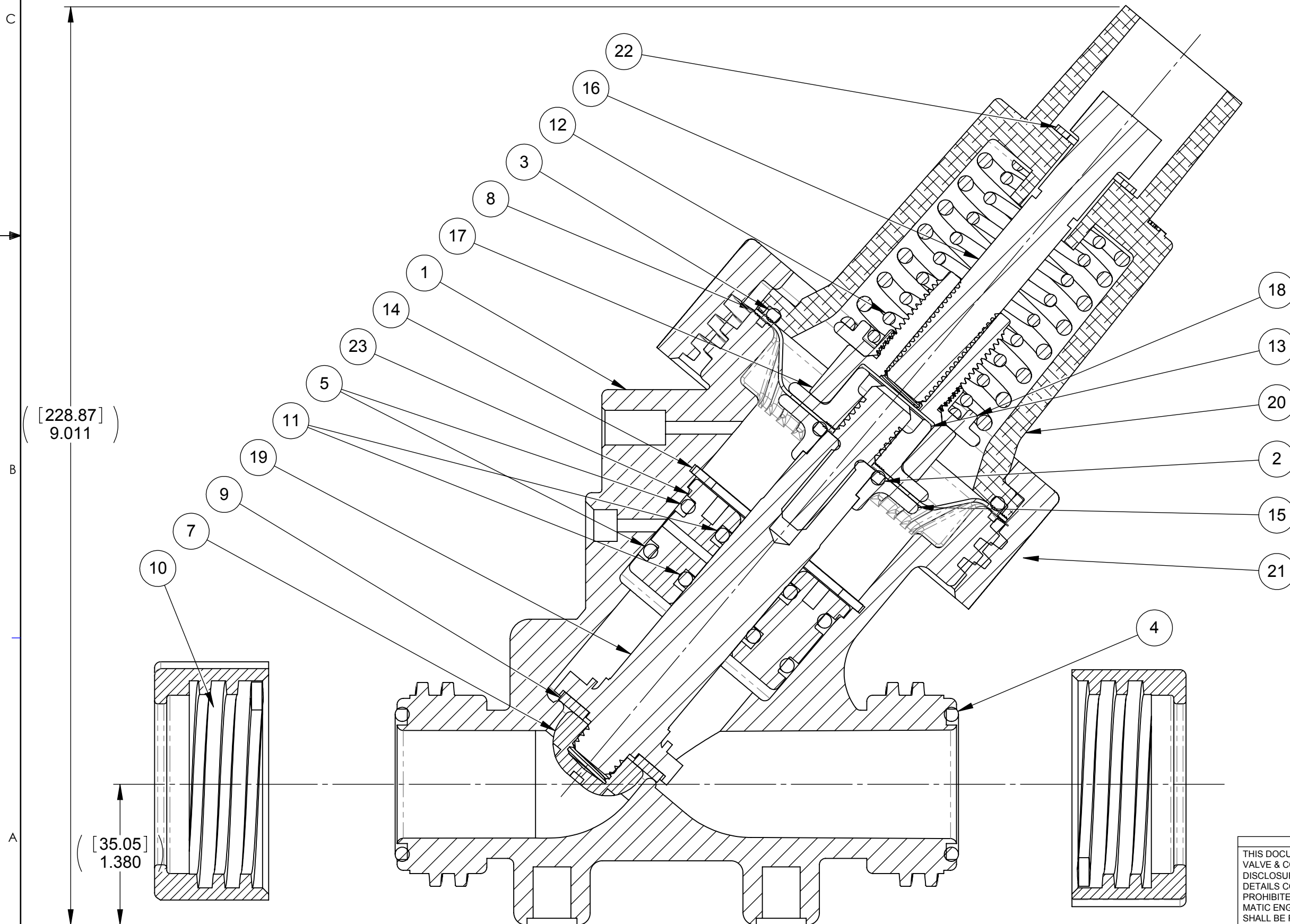


BR1079700 (K531-X203-14000) (30 PSI - 2 BAR)  
**FAILSAFE CLOSED**



BR1071294 (K531-X205-14000) (100 PSI - 7 BAR)  
**FAILSAFE CLOSED**

NOTE:  
REPLACEMENT COMPONENTS UNIQUE TO FAILSAFE DESIGN ARE AVAILABLE AS A REPAIR KIT ONLY. SEE SHEET 2 FOR KIT DETAILS.



BR1071291 (K531-X204-14000) (60 PSI - 4 BAR)  
**FAILSAFE CLOSED**

ITEM NO.	DESCRIPTION	PART NUMBER	BR1079700 /QTY.	BR1071291 /QTY.	BR1071294 /QTY.
1	VALVE BODY, 531	1073287	1	1	1
2	O-RING, 2-208	BUNA 1071700	1	1	1
3	O-RING, 2-232	BUNA 1071705	1	1	1
4	O-RING, -218	EPDM 1071748	2	2	2
5	O-RING, -223	EPDM 1071749	2	2	2
6	SPRING, COMPRESSION	1073284	-	-	1
7	NUT, DISC RETAINING, 531	1073274	1	1	1
8	DIAPHRAGM, K531	1073277	1	1	1
9	V531 - DISC, EPDM	1073279	1	1	1
10	NUT, INLET/OUTLET, 531	1073273	2	2	2
11	O-RING, 2-210	EPDM 1242718	2	2	2
12	COMPRESSION SPRING,	1073285	1	1	1
13	PLATE, UPPR DPHRGM (FAIL SAFE)	1073289	1	1	1
14	RING, RETAINING, SERIES 531	1073312	1	1	1
15	PLATE, LWR DPHRGM (FAIL SAFE)	1073290	1	1	1
16	SCREW, FAILSAFE, 531	1073311	1	1	1
17	BASE, SPRING SUPPORT	1073313	1	1	1
18	RING, RETAINER (FOR ADJUST FS)	1073314	1	1	1
19	SHAFT 531 FAIL SAFE ASSY	1073296	1	1	1
20	VALVE CAP, 531 FAILSAFE	1073293	1	1	1
21	NUT, SOCKET RETAINING, 535	1073395	1	1	1
22	WASHER, (1.00X.686X.060)	1073596	1	1	1
23	GUIDE, SHAFT, 531	1073292	1	1	1

THIS DOCUMENT IS SOLELY THE PROPERTY OF AQ Matic VALVE & CONTROLS COMPANY INC. REPRODUCTION, USE, DISCLOSURE, OR TRANSMISSION OF THIS DOCUMENT OR DETAILS CONTAINED HEREIN, IN PART OR IN WHOLE, IS PROHIBITED WITHOUT THE WRITTEN CONSENT OF AQ Matic ENGINEERING. THIS DOCUMENT AND ANY COPIES SHALL BE RETURNED TO AQ Matic UPON REQUEST.

THE COMPONENT, PART, OR ASSEMBLY DESCRIBED IN THIS DOCUMENT MUST COMPLY WITH THE EU (EUROPEAN UNION) DIRECTIVES: RoHS DIRECTIVE 2002/95/EC

THIRD ANGLE PROJECTION

APPROVALS: TMS DATE: 05-21-10

DRAWN: TMS DATE: 05-21-10

APPROVED: [Signature]

CHECKED: [Signature]

DO NOT SCALE DRAWING. DIMS. ARE IN INCHES [mm] INTERPRET DIMS AND TOLERANCES PER ASME Y14.5M - 2009 UNLESS OTHERWISE SPECIFIED. ALL FINISHED MACHINED SURFACES 125 ✓ OR BETTER. TOLERANCES: ANGLES: ± 1° 1 PLACE .X: ± .015 [0.38] 2 PLACE .XX: ± .01 [0.3] 3 PLACE .XXX: ± .005 [0.13]

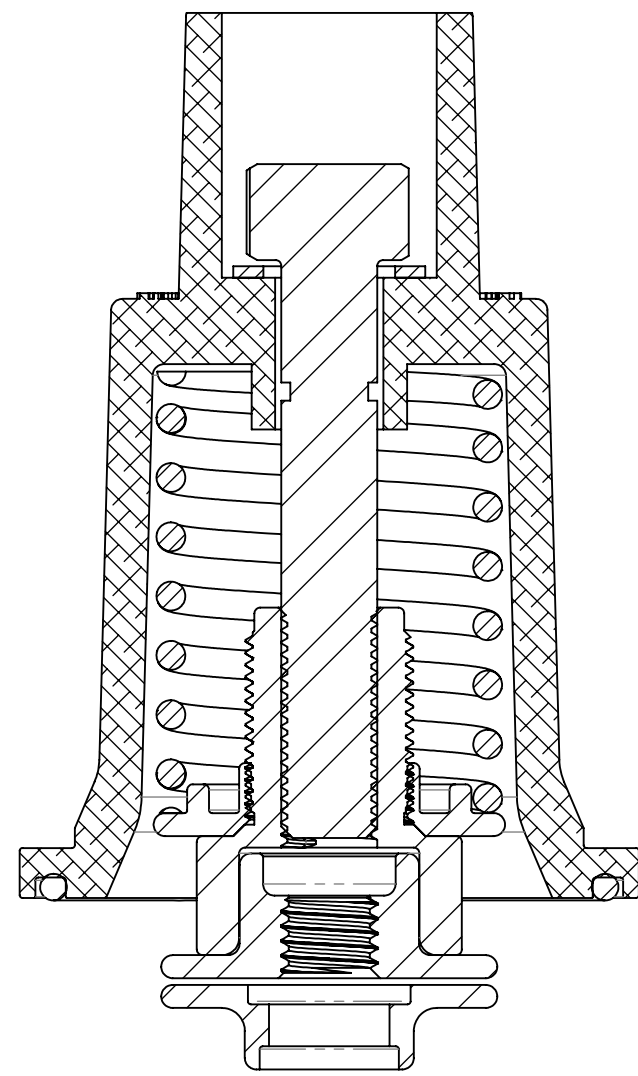
**AQ Matic** Valve & Controls Company Inc.

TITLE: CATALOG SHEET, K531 FAILSAFE

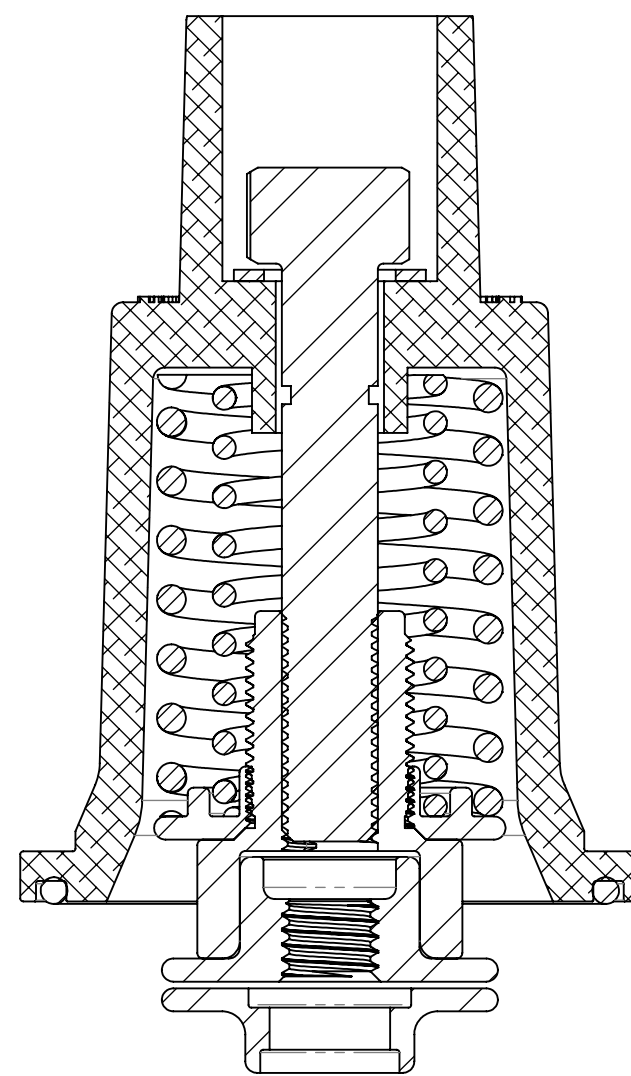
SIZE: B DWG NO.: BR1084008 REV: L

SCALE: 1:2 SHEET 1 OF 2

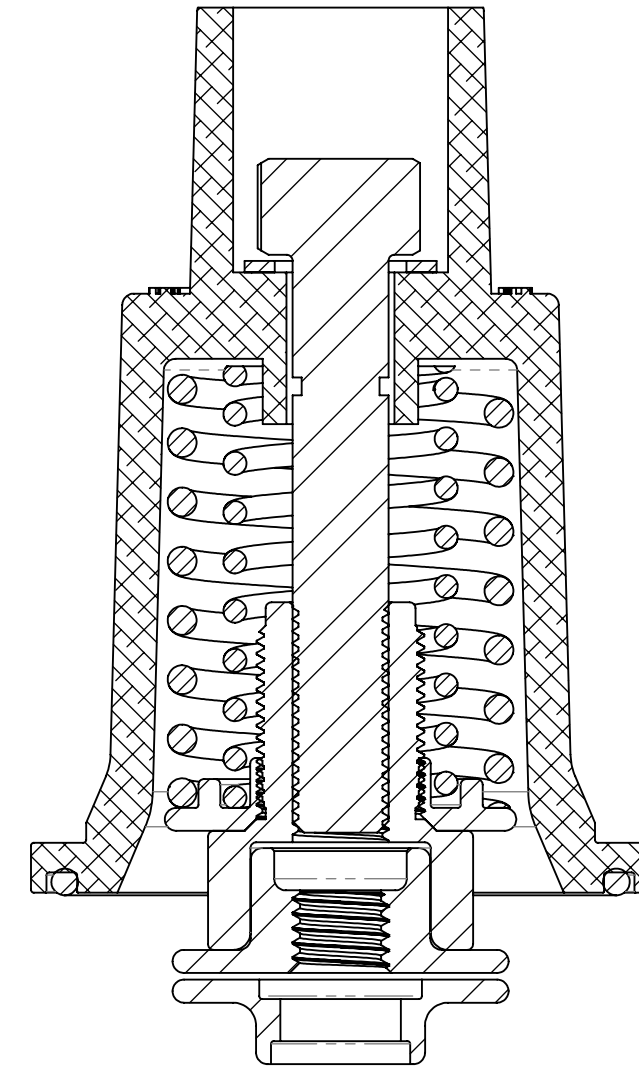
REVISIONS					
ZONE	ECN	REV.	DESCRIPTION	DATE	APP'D
SEE SHEET ONE FOR NOTES					



**BR1071263 (K531-FS3)  
REPAIR KIT - 30#**



**BR1071264 (K531-FS6)  
REPAIR KIT - 60#**



**BR1071262 (K531-FS1)  
REPAIR KIT - 60#**

REPAIR KITS	
REPAIR KIT NO.	PART NUMBERS INCLUDED
BR1071263 (K531-FS6)	3,6,13,15,16,17,18,20,22
BR1071264 (K531-FS6)	3,6,13,15,16,17,18,20,22
BR1071262 (K531-FS1)	3,6,12,13,15,16,17,18,20,22

VALVE SERIES	30# FAILSAFE #TURNS UP FROM BOTTOM	60# FAILSAFE #TURNS UP FROM BOTTOM	100# FAILSAFE #TURNS UP FROM BOTTOM
531	7	0	9

THIS DOCUMENT IS SOLELY THE PROPERTY OF AQ Matic VALVE & CONTROLS COMPANY INC. REPRODUCTION, USE, DISCLOSURE, OR TRANSMISSION OF THIS DOCUMENT OR DETAILS CONTAINED HEREIN, IN PART OR IN WHOLE, IS PROHIBITED WITHOUT THE WRITTEN CONSENT OF AQ Matic ENGINEERING. THIS DOCUMENT AND ANY COPIES SHALL BE RETURNED TO AQ Matic UPON REQUEST.

DO NOT SCALE DRAWING. DIMS. ARE IN INCHES [mm]  
INTERPRET DIMS AND TOLERANCES PER ASME Y14.5M -2009  
UNLESS OTHERWISE SPECIFIED.  
ALL FINISHED MACHINED SURFACES 125 ✓ OR BETTER.  
TOLERANCES:  
ANGLES: ± 1°  
1 PLACE .X: ± .015 [0.38]  
2 PLACE .XX: ± .01 [0.3]  
3 PLACE .XXX: ± .005 [0.13]

THE COMPONENT, PART, OR ASSEMBLY DESCRIBED IN THIS DOCUMENT MUST COMPLY WITH THE EU (EUROPEAN UNION) DIRECTIVES: RoHS DIRECTIVE 2002/95/EC

THIRD ANGLE PROJECTION

APPROVALS DATE  
DRAWN TMS 05-21-10  
APPROVED  
CHECKED

**AQ Matic** Valve & Controls Company Inc.  
TITLE  
CATALOG SHEET, K531 FAILSAFE  
SIZE **B** DWG NO. **BR1084008** REV L  
SCALE 1:2 SHEET 2 OF 2