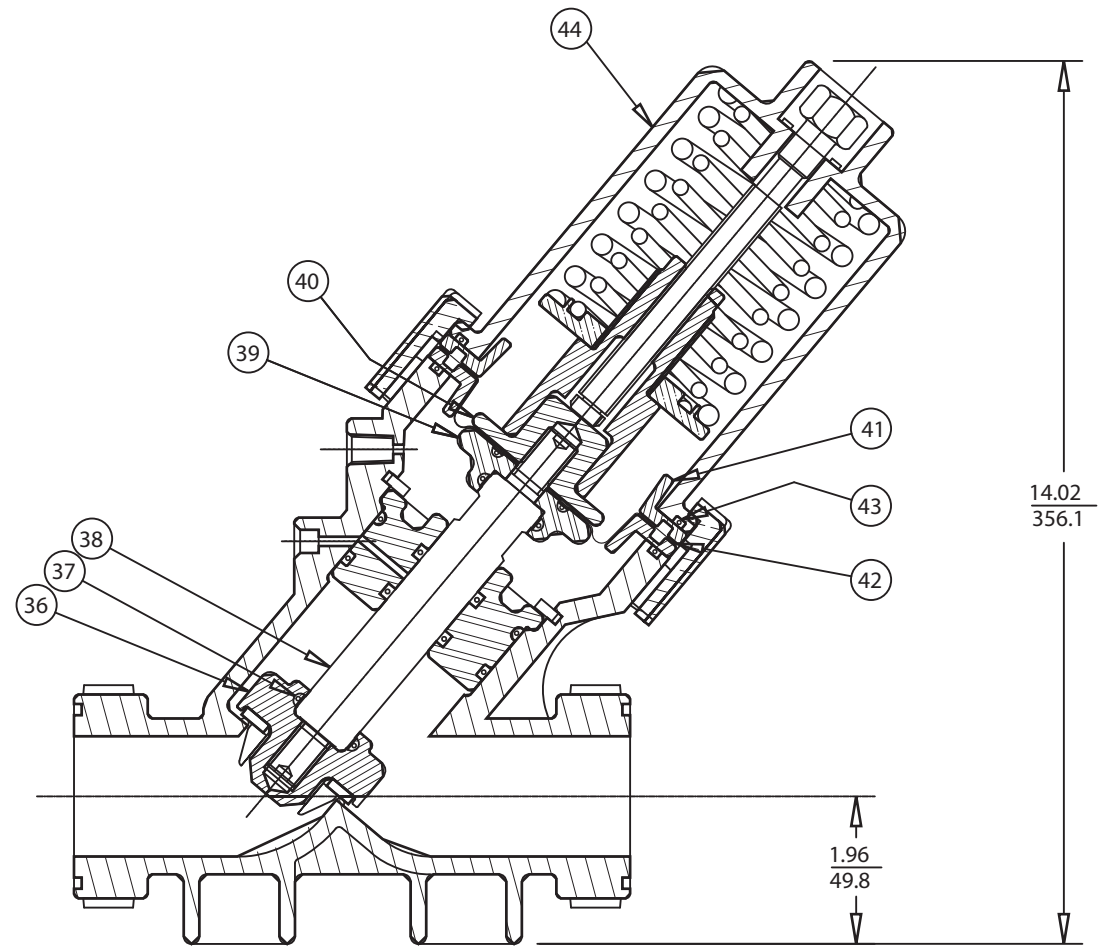


K534 DIAPHRAGM VALVE - FAILSAFE MODEL

NO.	DESCRIPTION	PART NO.	QTY.	
36	DISC HOLDER	PVC	1073355 (V534-502)	1
		NORYL	1073356 (V534-503)	
37	O-RING	E.P.D.M.	1071745 (ORE-212)	1
		FKM	1071816 (ORV-212)	
		BUTYL	1071777 (ORJ-212)	
38	SHAFT	PVC	1073378 (V534-701)	1
		NORYL	1073379 (V534-702)	
39	LOWER DIAPHRAGM PLATE	1073349 (V534-448)	1	
40	UPPER DIAPHRAGM PLATE	1073348 (V534-444)	1	
41	DIAPHRAGM SUPPORT	1073366 (V534-551K)	1	
42	DIAPHRAGM (BUNA)	1073335 (V534-102)	1	
43	O-RING	BUNA	1071709 (ORB-240)	1
		FKM	1071830 (ORV-240)	
44	CAP ASSEMBLY - 30#		1071306 (K534-FS3)	1
			1071307 (K534-FS6)	
			1071305 (K534-FS1)	

NOTE:
DUE TO SPRING ASSEMBLY
REQUIREMENTS, CAP ASSEMBLY
SOLD AS ASSEMBLY ONLY.



- 1079718 (K534-X203-14000) (30 PSI - 2 BAR)
- 1071334 (K534-X204-14000) (60 PSI - 4 BAR)
- 1071335 (K534-X205-14000) (100 PSI - 7 BAR)

FAILSAFE CLOSED

INCHES
MILLIMETERS

SEE DWG. NO. 1084009 FOR STANDARD MODEL

FORM NO. 1078167

G	OBSOLETE VITON DIAPHRAGM	1715	MSM	24JUL07	SMN
REV	DESCRIPTION	ECO	DWN	DATE	APVD
		16605 West Victor Rd New Berlin, WI 53151 262-326-0100 www.aq-matic.com			
SERIES 534 DIAPHRAGM VALVE FAILSAFE MODEL					
DRAWN	JWB	DATE	26JUN01	DRAWING NO.	1084008