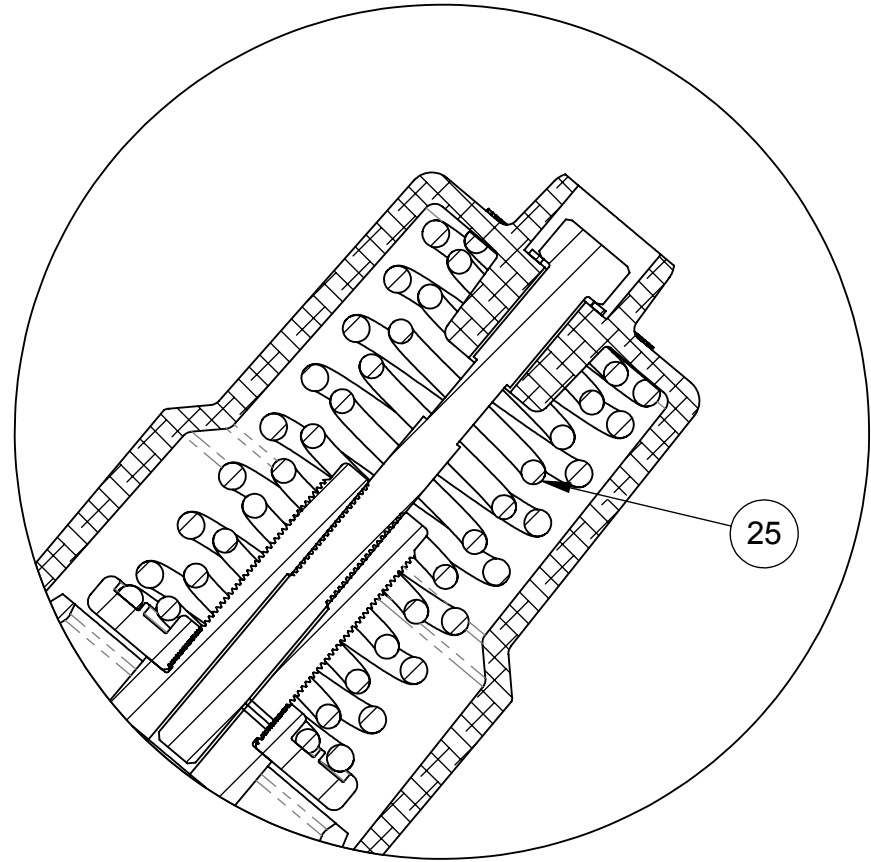
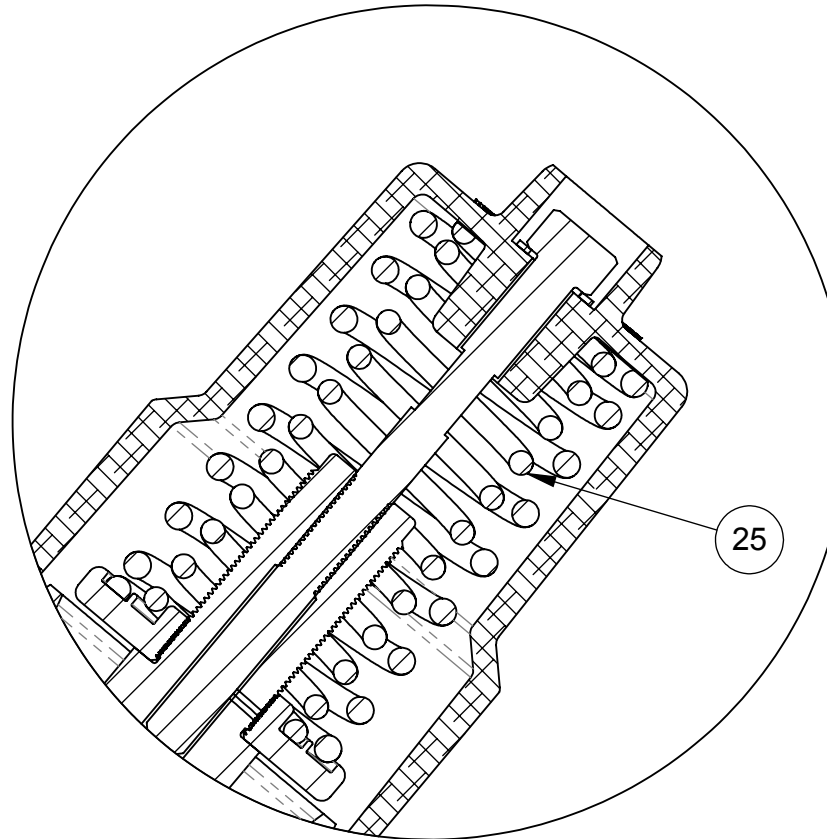


REVISIONS					
ZONE	ECN	REV.	DESCRIPTION	DATE	APP'D
	22262	E	REDRAWN IN SOLIDWORKS; 1-ADD'D: BR1071745; 2-REM'D: BR1071483	05-18-10	MHM
	33913	F	1-ADD'D:43307	10-21-11	TMS
	1001	G	AQ Matic update & verified part numbers	27JAN17	MGS

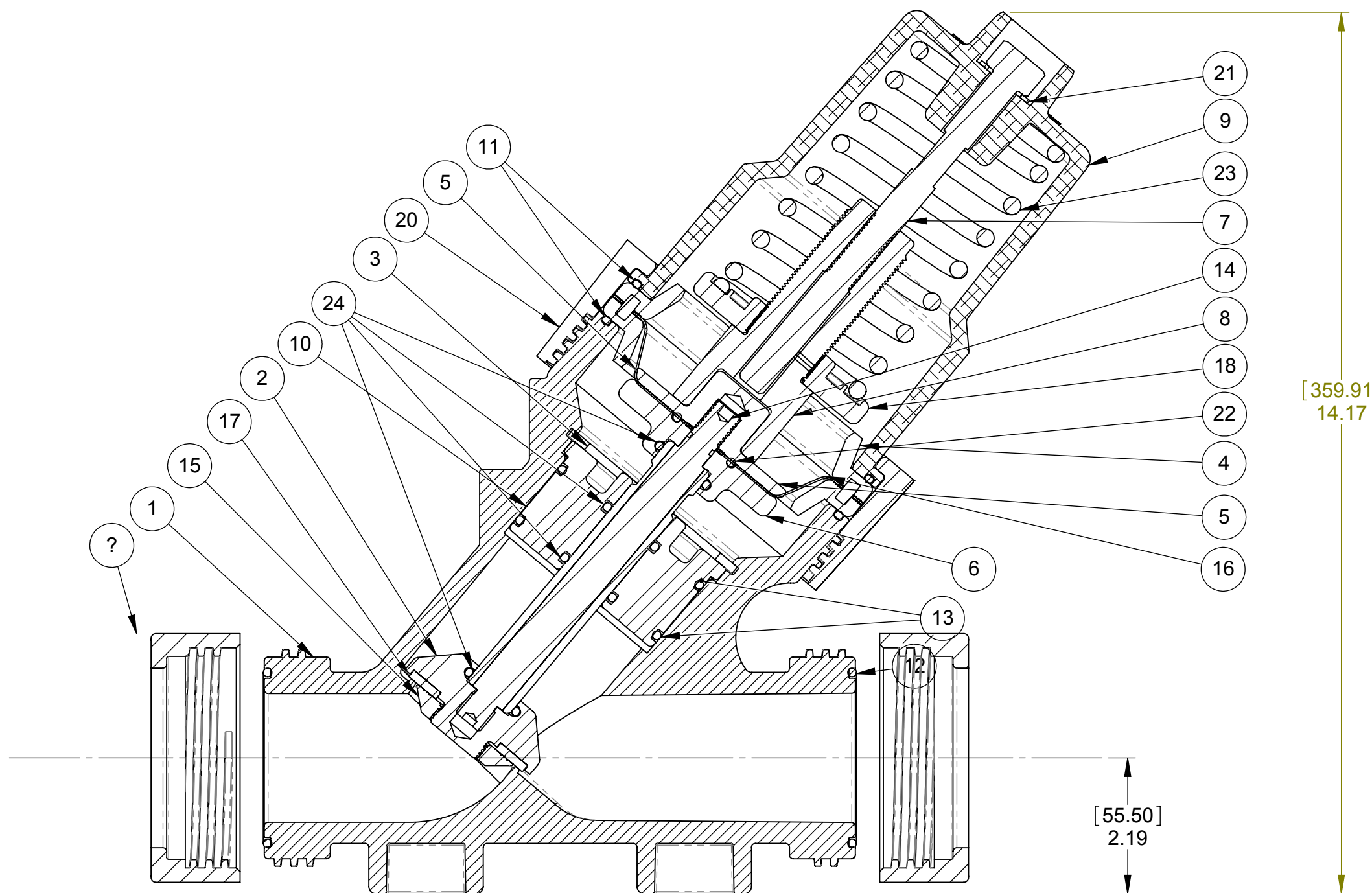


BR1071368 (K535-X204-14000) (60 PSI - 4BAR)
FAILSAFE CLOSED



BR1071371 (K535-X205-14000) (60 PSI - 7BAR)
FAILSAFE CLOSED

NOTE:
REPLACEMENT COMPONENTS UNIQUE TO FAILSAFE DESIGN ARE
AVAILABLE AS A REPAIR KIT ONLY. SEE SHEET 2 FOR KIT DETAILS.



BR1076665 (K535-X203-14000) (30 PSI - 2BAR)
FAILSAFE CLOSED

ITEM NO.	BR1076665 /QTY.	BR1071368 /QTY.	BR1071371 /QTY.	PART NUMBER	DESCRIPTION
1	1	1	1	1073407	VALVE BODY, SERIES 535
2	1	1	1	1073416	HOLDER, DISC, 535
3	1	1	1	1073434	RING, RETAINING, SERIES 535
4	2	2	2	1083478	DIAPHRAGM, SUPPORT, K535
5	1	1	1	1073411	PLATE, UPPR DPHRGM (FAIL SAFE)
6	1	1	1	1073412	PLATE, LWR DPHRGM, (FS),V535 D
7	1	1	1	1073433	SCREW, FAILSAFE,535
8	1	1	1	1073435	BASE, SPRING RETAINER
9	1	1	1	1073415	CAP, K535 FAILSAFE,MCHD
10	1	1	1	1073413	GUIDE, SHAFT, V535
11	2	2	2	1071712	O-RING (NITRILE), 2-248
12	2	2	2	1071752	O-RING, EPDM -231
13	2	2	2	1071753	O-RING, EPDM -232
14	1	1	1	1073439	ASSEMBLY, SHAFT, V535 / 2" VLV
15	1	1	1	1073396	NUT, DISC RETAINING
16	1	1	1	1073399	DIAPHRAGM, SERIES 535
17	1	1	1	1073401	DISC, V535
18	1	1	1	1073436	RING, SPRING RETAINER
19	2	2	2	1073395	NUT, SOCKET RETAINING, 535
20	1	1	1	43307	NUT, FAILSAFE, 535
21	1	1	1	1073596	WASHER, (1.00X.686X.060)
22	1	1	1	1076766	O-RING (NITRILE), 2-214
23	1	1	1	1073405	SPRING, COMPRESSION
24	4	4	4	1071745	O-RING, EPDM, -212
25	-	1	1	1073406	SPRING, COMPRESSION

THIS DOCUMENT IS SOLELY THE PROPERTY OF AQ Matic VALVE & CONTROLS COMPANY INC. REPRODUCTION USE DISCLOSURE OR TRANSMISSION OF THIS DOCUMENT OR DETAILS CONTAINED HEREIN, IN PART OR IN WHOLE, IS PROHIBITED WITHOUT THE WRITTEN CONSENT OF AQ Matic ENGINEERING. THIS DOCUMENT AND ANY COPIES SHALL BE RETURNED TO AQ Matic UPON REQUEST.

DO NOT SCALE DRAWING. DIMS. ARE IN INCHES [mm] INTERPRET DIMS AND TOLERANCES PER ASME Y14.5M -2009 UNLESS OTHERWISE SPECIFIED. ALL FINISHED MACHINED SURFACES 125 ✓ OR BETTER. TOLERANCES:
 ANGLES: ± 1°
 1 PLACE .X: ± .015 [0.38]
 2 PLACE .XX: ± .01 [0.3]
 3 PLACE .XXX: ± .005 [0.13]

THE COMPONENT, PART, OR ASSEMBLY DESCRIBED IN THIS DOCUMENT MUST COMPLY WITH THE EU (EUROPEAN UNION) DIRECTIVES: RoHS DIRECTIVE 2002/95/EC

THIRD ANGLE PROJECTION

APPROVALS: MSM DATE: 05/15/06

DRAWN: MSM DATE: 05/15/06

APPROVED: _____

CHECKED: _____

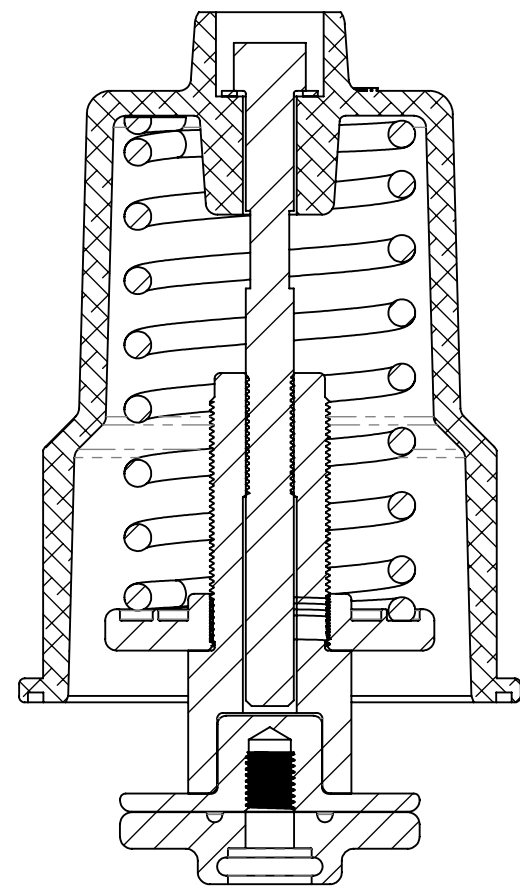
AQ Matic Valve & Controls Company Inc.

TITLE: CATALOG SHEET, K535 FAILSAFE 60 PSI

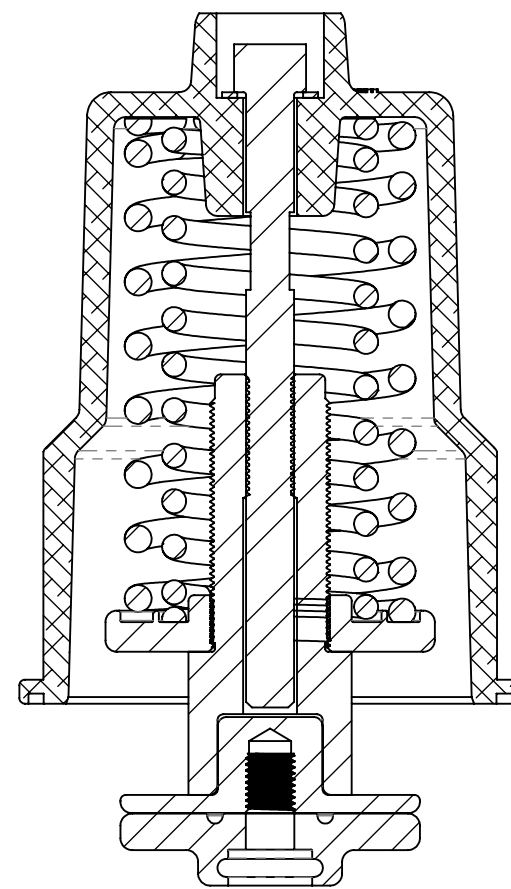
SIZE: B DWG NO.: BR1084011 REV: G

SCALE: 2:1 SHEET 1 OF 2

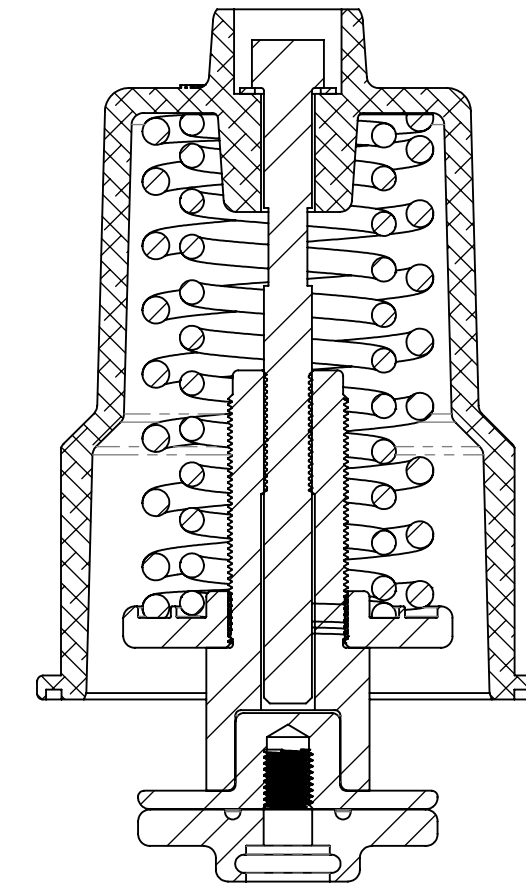
REVISIONS					
ZONE	ECN	REV.	DESCRIPTION	DATE	APP'D



BR1071341 (K535-FS3)
REPAIR KIT - 30#



BR1071342 (K535-FS6)
REPAIR KIT - 60#



BR1071340 (K535-FS1)
REPAIR KIT - 100#

REPAIR KIT	
REPAIR KIT NO.	PART NUMBERS INCLUDED
BR1071341 (K535-FS3)	INCLUDES ITEM #S: 5,6,7,8,9,11,18,20,21,23
BR1071342 (K535-FS6)	INCLUDES ITEM #S: 5,6,7,8,9,11,18,20,21,23,25
BR1071340 (K535-FS1)	INCLUDES ITEM #S: 5,6,7,8,9,11,18,20,21,23,25

VALVE SERIES	30# FAILSAFE #TURNS UP FROM BOTTOM	60# FAILSAFE #TURNS UP FROM BOTTOM	100# FAILSAFE #TURNS UP FROM BOTTOM
535	6	0	12

THIS DOCUMENT IS SOLELY THE PROPERTY OF AQ Matic VALVE & CONTROLS COMPANY INC. REPRODUCTION, USE, DISCLOSURE, OR TRANSMISSION OF THIS DOCUMENT OR DETAILS CONTAINED HEREIN, IN PART OR IN WHOLE, IS PROHIBITED WITHOUT THE WRITTEN CONSENT OF AQ Matic ENGINEERING. THIS DOCUMENT AND ANY COPIES SHALL BE RETURNED TO AQ Matic UPON REQUEST.

DO NOT SCALE DRAWING. DIMS. ARE IN INCHES [mm]. INTERPRET DIMS AND TOLERANCES PER ASME Y14.5M-2009 UNLESS OTHERWISE SPECIFIED. ALL FINISHED MACHINED SURFACES 125 √ OR BETTER. TOLERANCES:
 ANGLES: ± 1°
 1 PLACE .X: ± .015 [0.38]
 2 PLACE .XX: ± .01 [0.3]
 3 PLACE .XXX: ± .005 [0.13]

THE COMPONENT, PART, OR ASSEMBLY DESCRIBED IN THIS DOCUMENT MUST COMPLY WITH THE EU (EUROPEAN UNION) DIRECTIVES: RoHS DIRECTIVE 2002/95/EC

THIRD ANGLE PROJECTION	APPROVALS	DATE	AQ Matic Valve & Controls Company Inc.
	MSM	05/15/06	
TITLE CATALOG SHEET, K535 FAILSAFE 60 PSI			REV G
DRAWN MSM		DATE 05/15/06	SIZE B
APPROVED		DWG NO. BR1084011	SCALE 1:4
CHECKED		SHEET 2 OF 2	