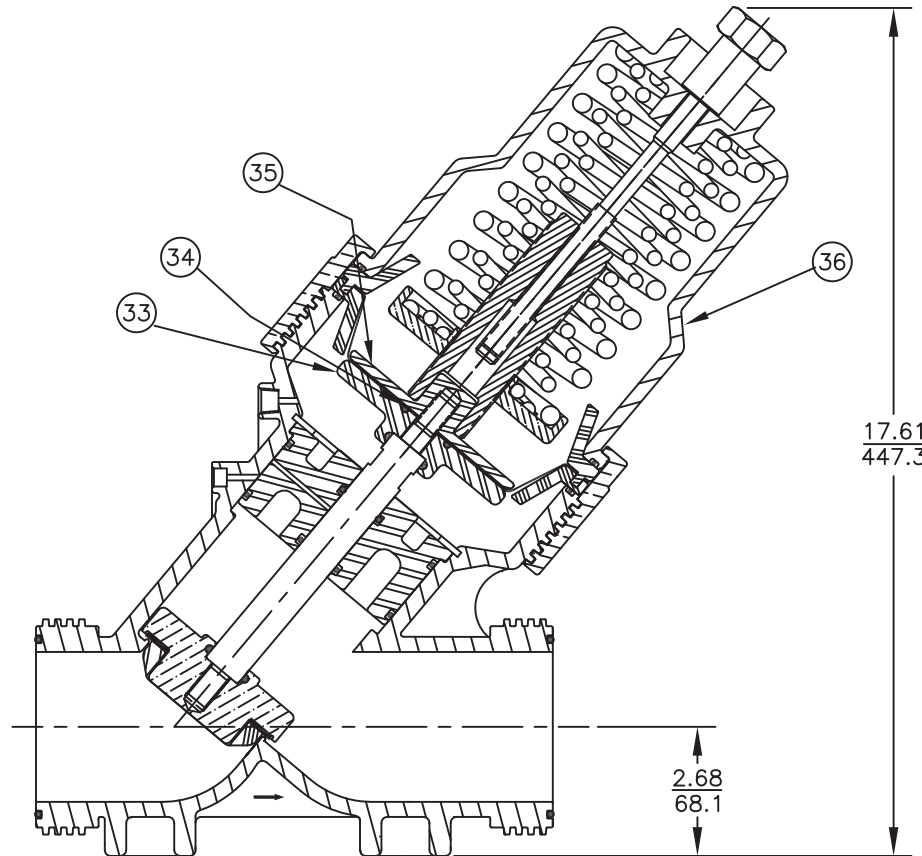


K537 DIAPHRAGM VALVE - FAILSAFE MODEL

NO.	DESCRIPTION	PART NO.	QTY.
33	LOWER DIAPHRAGM PLATE	1073477 (V537-447)	1
34	O-RING	BUNA 1076766 (ORB-214)	1
		FKM 1071817 (ORV-214)	
35	UPPER DIAPHRAGM PLATE	1073476 (V537-444)	1
36	CAP ASSEMBLY - 30#	1071375 (K537-FS3)	1
	CAP ASSEMBLY - 60#	1071376 (K537-FS6)	
	CAP ASSEMBLY - 100#	1071374 (K537-FS1)	

NOTE:
DUE TO SPRING ASSEMBLY REQUIREMENTS,
CAP ASSEMBLY SOLD AS ASSEMBLY ONLY.



- 1071392 (K537-X203-14000) (30 PSI - 2 BAR)
- 1071393 (K537-X204-14000) (60 PSI - 4 BAR)
- 1071396 (K537-X205-14000) (100 PSI - 7 BAR)

FAILSAFE CLOSED

INCHES
MILLIMETERS

SEE DWG. NO. 1084012 FOR STANDARD MODEL
FORM NO. 1078168

H	CORRECTED P/N TYPO	NONE	MSM	15May06	SMN
REV	DESCRIPTION	ECO	DWN	DATE	APVD

16605 West Victor Rd
New Berlin, WI 53151
262-326-0100
www.aq-matic.com

SERIES 537 DIAPHRAGM VALVE FAILSAFE SPRING CLOSED MODEL

DRAWN	JWB	DATE	26Jun01	DRAWING NO.	1084011
-------	-----	------	---------	-------------	---------