

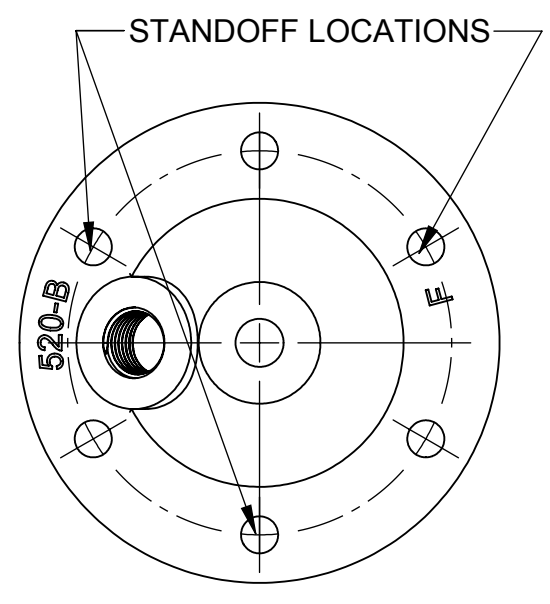
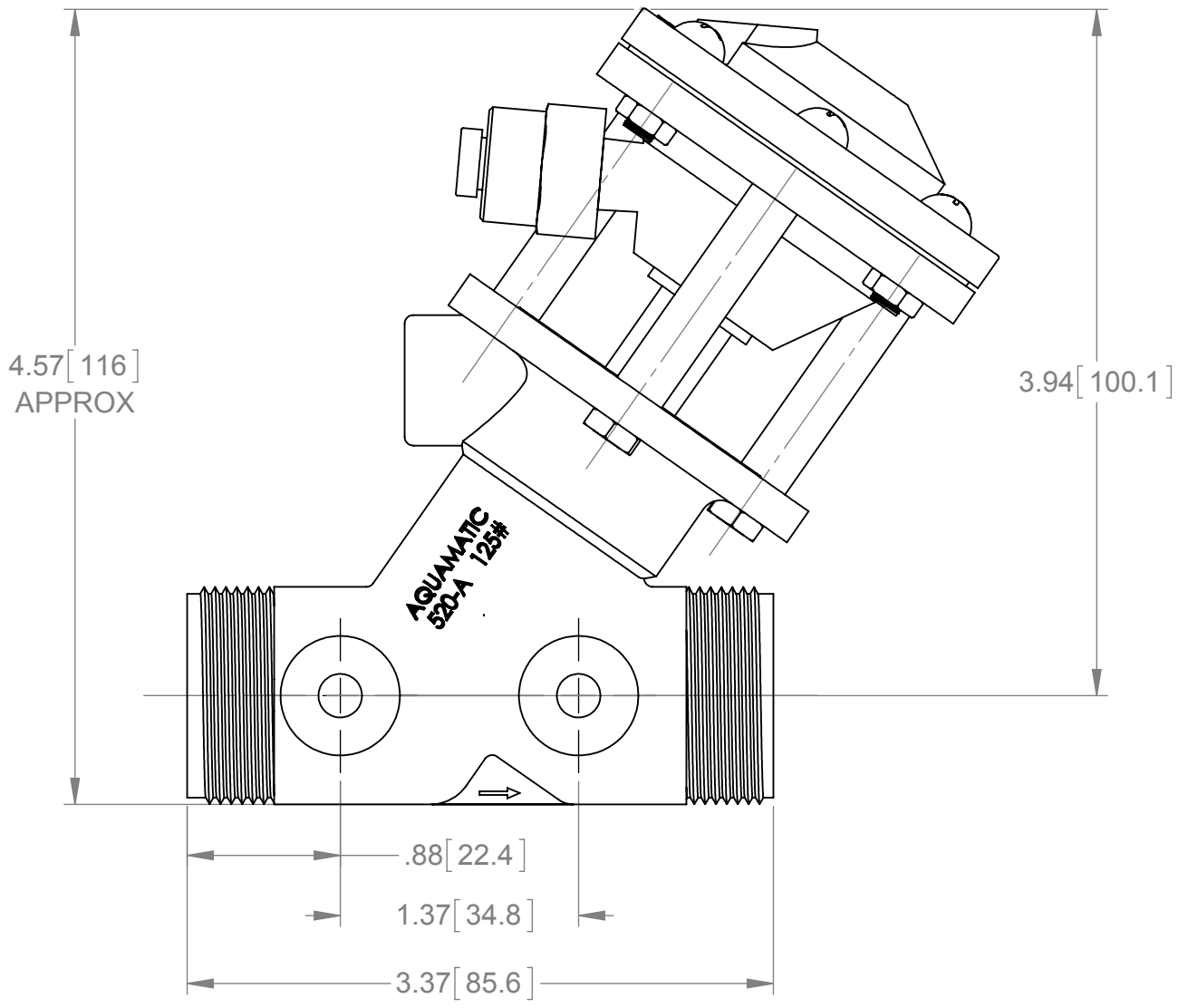
5

4

3

2

1

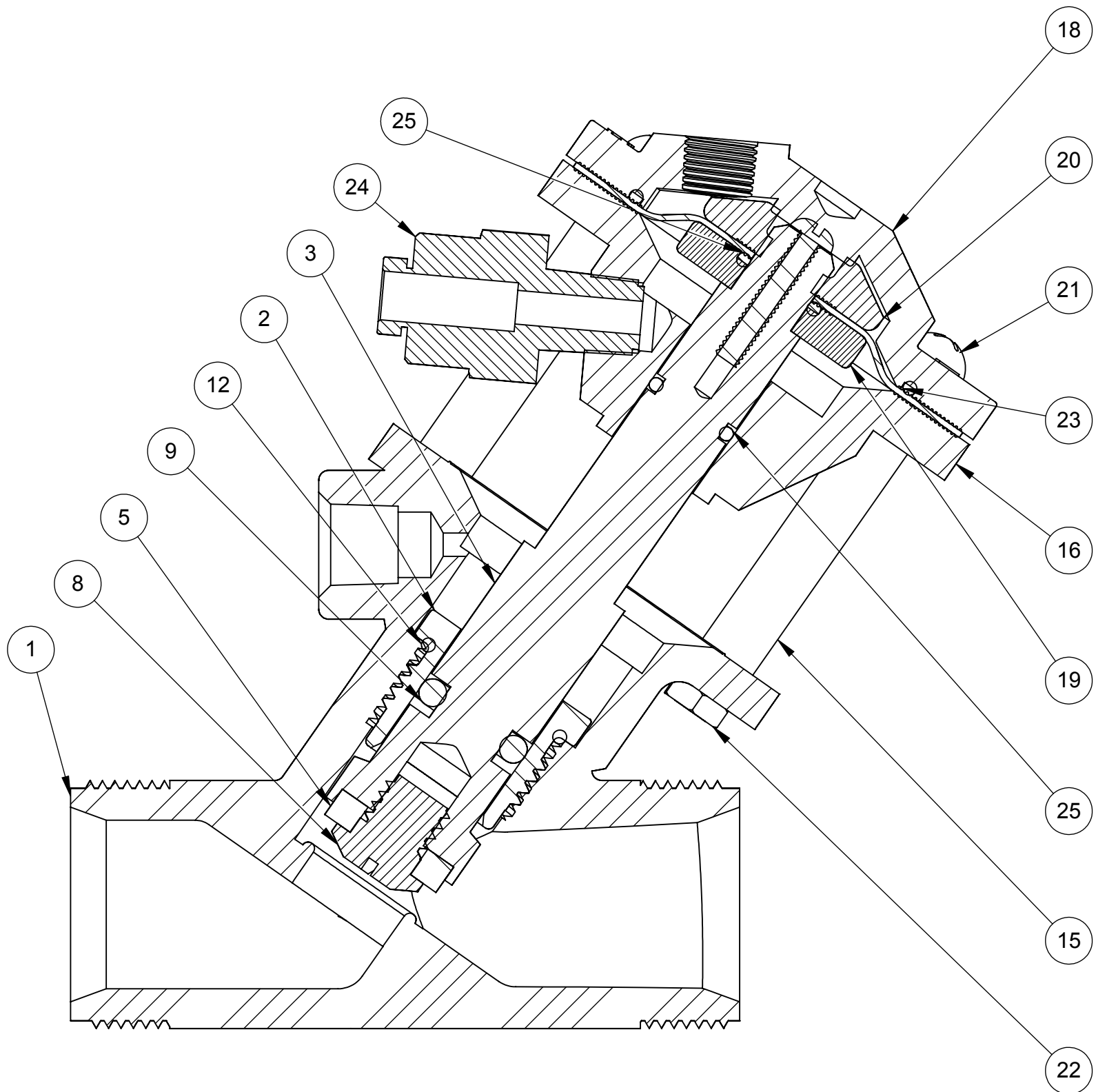


ASSEMBLY TOOLS	
DESCRIPTION	PART NO.
FOR INSTALLATION AND REMOVAL OF SHAFT GUIDE & DIAPHRAGM PLATE (TOOL NOT SHOWN)	1074989

REVISIONS					
ZONE	ECN	REV.	DESCRIPTION	DATE	APP'D
	102124	J	REDRAWN IN SOLIDWORKS, FORM # NOW DWG #, WAS-1084013	06-25-13	TJM
	1001	K	AQ Matic update & verified part numbers	17JAN17	MGS

ITEM NO.	DESCRIPTION	PART NUMBER	QTY.
1	BODY, K520	1074943	1
2	SCREW, DISC, PLATE, 520	NORYL 1077903	1
3	DISC,	E.P.D.M. 1074966	1
		BUTYL 1074967	1
		FKM 1074968	1
4	SHAFT, K5520	1075335	1
5	GUIDE, SHAFT, 520, NORYL	1074964	1
6	O-RING, -204	E.P.D.M. 1071740	1
		BUTYL 1071774	1
		FKM 1071812	1
7	O-RING, 2-012	BUNA 1071668	2
8	DIAPHRAGM, 520	BUNA 1074962	1
9	O-RING, -030	E.P.D.M. 3015801	1
10	BOTTOM DIAPHRAGM PLATE,	1075339	1
11	PLATE, DIAPHRAGM, UPPER,	1074958	1
12	CAP, 520	1074948	1
13	BOTTOM CAP,	1075334	1
14	SCREW, 10-32X 5/8", RND HD,	SS 1072379	6
15	STANDOFF,	1075338	3
16	HEX NUT, 10-32	SS 1071647	6
		E.P.D.M. 1071720	1
		BUTYL 1071762	1
17	O-RING, -018	FKM 1071790	1
		1078767	1
18	CONNECTOR, 1/8 MNPT X 1/4T, PLS	1078767	1

REPAIR PARTS KITS			
DESCRIPTION	PART NO.		
DIAPHRAGM & SEALS KIT CONSISTS OF ITEM NO'S 3, 6, 7, 8, 9, 17	1075341 EPDM INCLUDES DIAPHRAGM 1074962	1075342 BUTYL INCLUDES DIAPHRAGM 1074962	1075343 FKM INCLUDES DIAPHRAGM 1074962
INTERNAL PARTS KIT (NORMALLY OPEN) CONSISTS OF ITEM NO'S 2, 4, 5, 10, 11, 18	1071432		



**1071402 (K550-X200-1400)  
NORMALLY OPEN (STANDARD)**

SEE SHEET 1078140 FOR UNION END CONNECTORS,  
SEE SHEET 1078141 FOR GROOVED ADAPTORS

SEE REVERSE SIDE FOR CONFIGURATION OPTIONS

COMPONENTS / ASSEMBLIES TO BE COMPLIANT AND COMPATIBLE WITH EUROPEAN UNION DIRECTIVE 2011/65/EEC (RoHS2) & REGULATION (EC)1907/2006 (REACH) REQUIREMENTS

THIS DOCUMENT IS SOLELY THE PROPERTY OF AQ Matic VALVE & CONTROLS COMPANY INC. REPRODUCTION, USE, DISCLOSURE, OR TRANSMISSION OF THIS DOCUMENT OR DETAILS CONTAINED HEREIN, IN PART OR IN WHOLE, IS PROHIBITED WITHOUT THE WRITTEN CONSENT OF AQ Matic ENGINEERING. THIS DOCUMENT AND ANY COPIES SHALL BE RETURNED TO AQ Matic UPON REQUEST.

DO NOT SCALE DRAWING. DIMS. ARE IN INCHES [mm]. INTERPRET DIMS AND TOLERANCES PER ASME Y14.5M-2009 UNLESS OTHERWISE SPECIFIED. ALL FINISHED MACHINED SURFACES 125 ✓ OR BETTER. TOLERANCES:  
 ANGLES: ± 1°  
 1 PLACE .X: ± .015 [0.38]  
 2 PLACE .XX: ± .01 [0.3]  
 3 PLACE .XXX: ± .005 [0.13]

THIRD ANGLE PROJECTION	APPROVALS	DATE	AQ Matic Valve & Controls Company Inc.	
	MWL	06-25-13	TITLE CATALOG SHEET, 5520	
	CHECKED		SIZE <b>B</b>	DWG NO. <b>BR1077692</b>
			SCALE 1:1	REV <b>K</b>

SHEET 1 OF 2

5

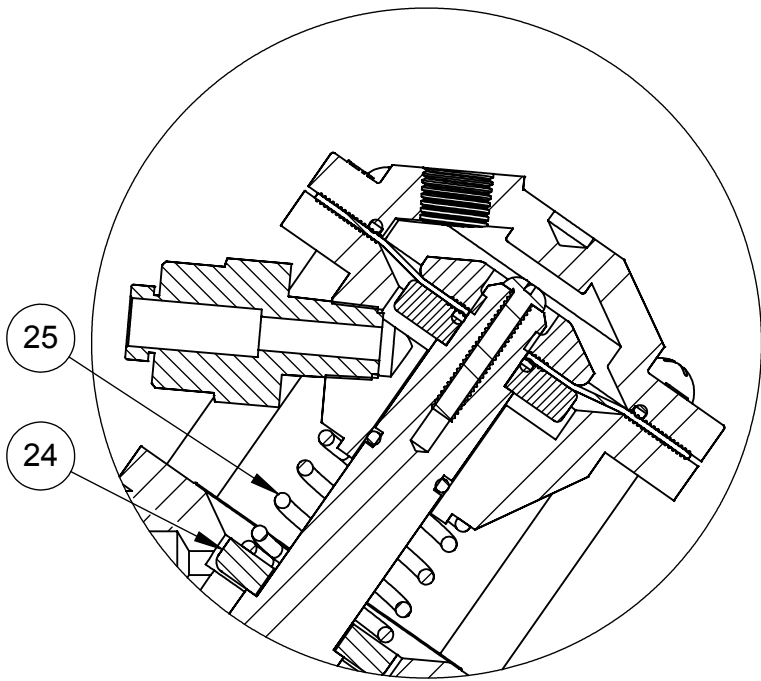
4

3

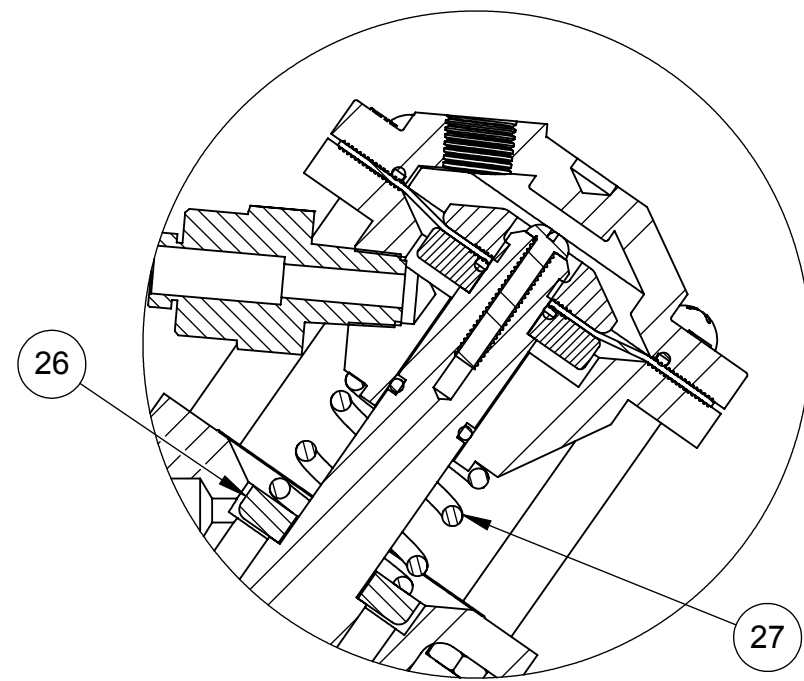
2

1

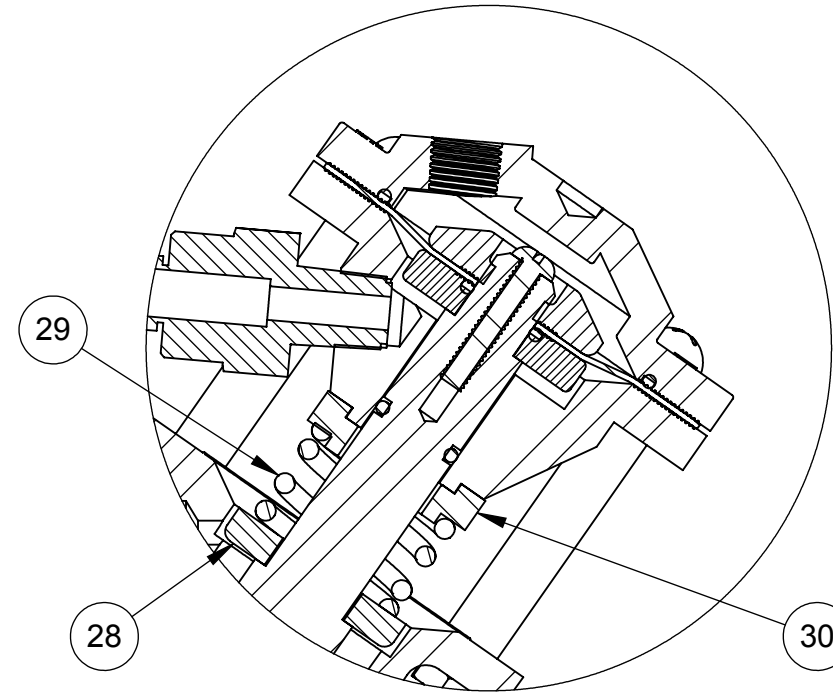
REVISIONS					
ZONE	ECN	REV.	DESCRIPTION	DATE	APP'D



1071406 (K550-X203-14000)  
FAILSAFE SPRING CLOSED 30 PSI

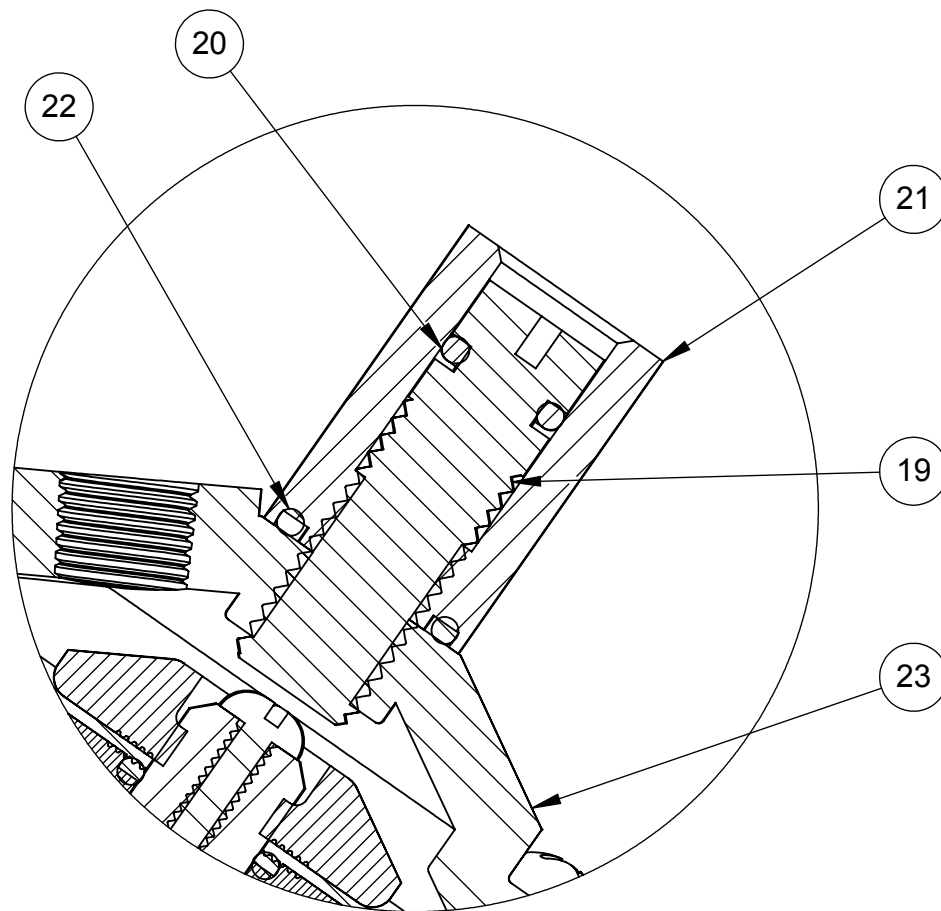


1071409 (K550-X204-14000)  
FAILSAFE SPRING CLOSED 60 PSI



1071412 (K550-X205-14000)  
FAILSAFE SPRING CLOSED 100 PSI

LIMIT STOP MODEL			
ITEM NO.	DESCRIPTION	PART NUMBER	QTY.
19	LIMIT STOP SCREW, SERIES 520	1074988	1
20	O-RING,2-010,BUNA	1071667	1
21	LIMIT STOP NUT,	1074987	1
22	O-RING,2-013,BUNA	1071669	1
23	CAP, LIMIT STOP, 520	1074946	1



1071414 (K550-X214-14000)  
LIMIT STOP

REPAIR PARTS KITS	
DESCRIPTION	PART NO.
INTERNAL PARTS KIT (LIMIT STOP) CONTAINS ITEM NO'S 19 THRU 22	1074973

CONVERSION KITS	
DESCRIPTION	PART NO.
CONVERSION PARTS KIT (LIMIT STOP) CONTAINS ITEM NO'S 19 THRU 23	1071056

FAILSAFE SPRING CLOSED - 30 PSI			
ITEM NO.	DESCRIPTION	PART NUMBER	QTY.
24	SPRING,RETAINER,BLACK	1075344	1
25	SPRING, COMPRESSION	3007473	1

FAILSAFE SPRING CLOSED - 60 PSI			
ITEM NO.	DESCRIPTION	PART NUMBER	QTY.
26	SPRING,RETAINER,BLACK	1075344	1
27	SPRING,	1075053	1

FAILSAFE SPRING CLOSED - 100 PSI			
ITEM NO.	DESCRIPTION	PART NUMBER	QTY.
28	SPRING,RETAINER,BLACK	1075344	1
29	SPRING,	1075053	1
30	CENTERING COLLAR,	1075337	1

NOTE:

- LIMIT STOP OPTION ONLY OFFERED ON FAIR SAFE SPRING CLOSE MODELS.
- FAILSAFE OPTION NOT OFFERED IN CONVERSION KIT FORM DUE TO SPECIAL ASSEMBLY REQUIREMENTS.

SEE SHEET 1078140 FOR UNION END CONNECTORS,  
SEE SHEET 1078141 FOR GROOVED ADAPTORS,

SEE REVERSE SIDE FOR  
STANDARD NORMALLY OPEN CONFIGURATION

<small>COMPONENTS / ASSEMBLIES TO BE COMPLIANT AND COMPATIBLE WITH EUROPEAN UNION DIRECTIVE 2011/65/EEC (RoHS2) &amp; REGULATION (EC)1907/2006 (REACH) REQUIREMENTS</small>					
<small>THIS DOCUMENT IS SOLELY THE PROPERTY OF AQ Matic VALVE &amp; CONTROLS COMPANY INC. REPRODUCTION, USE, DISCLOSURE, OR TRANSMISSION OF THIS DOCUMENT OR DETAILS CONTAINED HEREIN, IN PART OR IN WHOLE, IS PROHIBITED WITHOUT THE WRITTEN CONSENT OF AQ Matic ENGINEERING. THIS DOCUMENT AND ANY COPIES SHALL BE RETURNED TO AQ Matic UPON REQUEST.</small>		THIRD ANGLE PROJECTION	<b>AQ Matic</b> Valve & Controls Company Inc.		
APPROVALS	DATE	TITLE			
DRAWN	MWL	06-25-13	CATALOG SHEET, 5520		
APPROVED			SIZE	DWG NO.	REV
CHECKED			<b>B</b>	<b>BR1077692</b>	<b>K</b>
			SCALE	1:1	SHEET 2 OF 2

DO NOT SCALE DRAWING. DIMS. ARE IN INCHES [mm]  
INTERPRET DIMS AND TOLERANCES PER ASME Y14.5M -2009  
UNLESS OTHERWISE SPECIFIED.  
ALL FINISHED MACHINED SURFACES 125 √ OR BETTER.  
TOLERANCES:  
ANGLES: ± 1°  
1 PLACE .X: ± .015 [0.38]  
2 PLACE .XX: ± .01 [0.3]  
3 PLACE .XXX: ± .005 [0.13]

5

4

3

2

1