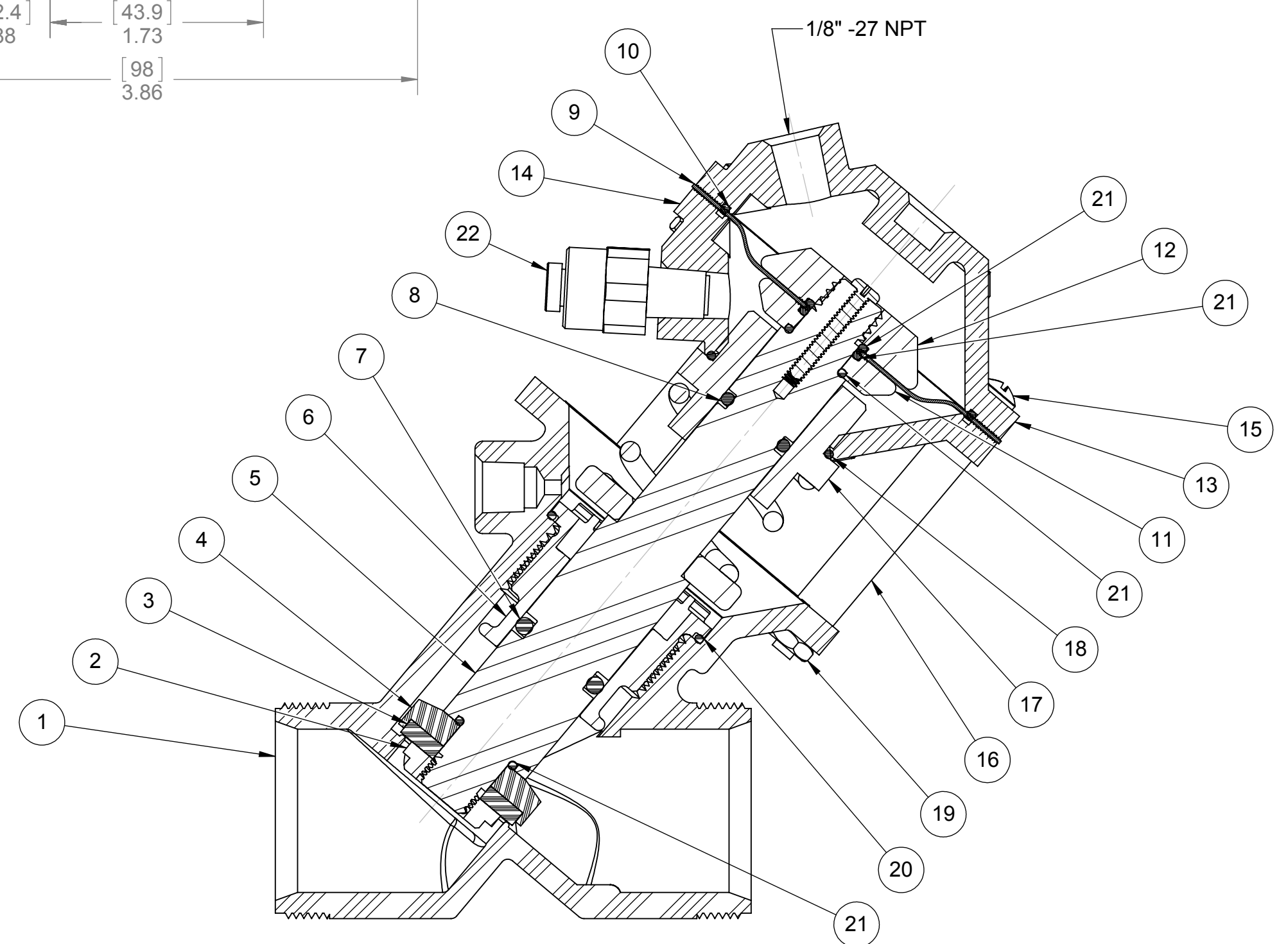


SEE SHEET 1078142 FOR UNION END CONNECTORS,
SEE SHEET 1078142 FOR GROOVED ADAPTORS,

ASSEMBLY TOOLS	
DESCRIPTION	PART NO.
FOR INSTALL & REMOVAL OF SHAFT GUIDE & DIAPHRAGM PLATE (TOOL NOT SHOWN)	1075059 (521-Z)
FOR SHAFT WHEN INSTALL, OR REMOVING DIAPHRAGM PLATE (TOOL NOT SHOWN)	1075060 (521-ZA)



1071421 (K551-X200-14000)
NORMALLY OPEN

REVISIONS					
ZONE	ECN	REV.	DESCRIPTION	DATE	APP'D
	102658	H	REDRAWN IN SOLID WORKS: ITEM #1: WAS 1075007, ITEM #13: WAS 1075012 ITEM #14: WAS 1075348, ITEM #27: WAS 1075010, 5-FORM # NOW DWG #	31OCT13	TJM
	103697	J	ITEM #20: WAS: 1071942, 1071943, 1071944	12DEC14	TJM
	1001	K	AQ Matic update & Verified part numbers	16JAN17	MGS

ITEM NO.	DESCRIPTION	PART NUMBER	QTY.
1	BODY, VALVE 521	43476	1
2	NUT, DISC PLATE	1075358	1
3	DISC	EPDM 1075033	1
		BUTYL 1075034	
		FKM 1075036	
4	RETAINER,DISC	1075360	1
5	SHAFT, 5521	1075349	1
6	GUIDE,SHAFT,521	NORYL 1075030	1
7	O-RING, 2-208	EPDM 1071743	1
		BUTYL 1071775	
		FKM 1071814	
8	O-RING,2-112	BUNA 1071690	1
9	DIAPHRAGM, 521, NBR	1075028	1
10	O-RING, 2-805	BUNA 1071715	1
11	PLATE,DIAPHRAGM,5521,LWR	43080	1
12	PLATE,DIAPHRAGM,5521,UPR	43081	1
13	CAP, 521 VALVE	43477	1
14	CAP, 5521,LWR	NORYL 43725	1
15	SCREW, RHMS 10-32	SS 1072380	8
16	STAND OFF,	1075354	3
17	SHAFT GUIDE,	1075357	1
18	O-RING,2-025	BUNA 1071677	1
19	HEX NUT, 10-32	SS 1071648	8
20	QUAD-RING 2-029	EPDM 1081945	1
		BUTYL 43893	
		FKM 1081947	
21	O-RING, -014	EPDM 1071718	4
		BUTYL 1071760	
		FKM 1071788	
22	CONNECTOR,1/8 MNPT X 1/4 T,PLS	1078767	1

REPAIR PARTS KITS		
DESCRIPTION	PART NO.	
DIAPHRAGM & SEALS KIT CONSISTS OF ITEM NO'S 3,7,8,9,10,18,20,21	1075361 (5521-RAE) E.P.D.M. INCLUDES DIAPHRAGM 1075028 (521-FB)	1075362 (5521-RAJ) BUTYL INCLUDES DIAPHRAGM 1075028 (521-FB)
	1075363 (5521-RAV) FKM INCLUDES DIAPHRAGM 1075028 (521-FB)	
INT. PART KIT (NORM. OPEN) CONSISTS OF ITEM NO'S 2,4,5,6,11,12,17	1071433 (K5521-RF)	

THIS DOCUMENT IS SOLELY THE PROPERTY OF AQ Matic VALVE & CONTROLS COMPANY INC. REPRODUCTION, USE DISCLOSURE, OR TRANSMISSION OF THIS DOCUMENT OR DETAILS CONTAINED HEREIN, IN PART OR IN WHOLE, IS PROHIBITED WITHOUT THE WRITTEN CONSENT OF AQ Matic ENGINEERING. THIS DOCUMENT AND ANY COPIES SHALL BE RETURNED TO AQ Matic UPON REQUEST.

DO NOT SCALE DRAWING. DIMS. ARE IN INCHES [mm]
INTERPRET DIMS AND TOLERANCES PER ASME Y14.5M -2009
UNLESS OTHERWISE SPECIFIED.
ALL FINISHED MACHINED SURFACES 125 ✓ OR BETTER.
TOLERANCES:
ANGLES: ± 1°
1 PLACE .X: ± .015 [0.38]
2 PLACE .XX: ± .01 [0.3]
3 PLACE .XXX: ± .005 [0.13]

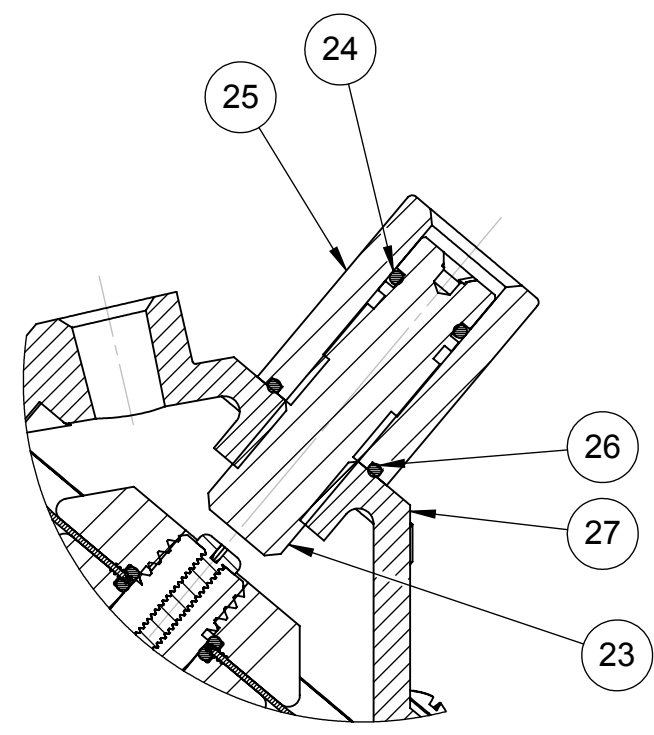
THIRD ANGLE PROJECTION	
APPROVALS	DATE
DRAWN NE	08/29/12
APPROVED	
CHECKED	

AQ Matic Valve & Controls Company Inc.

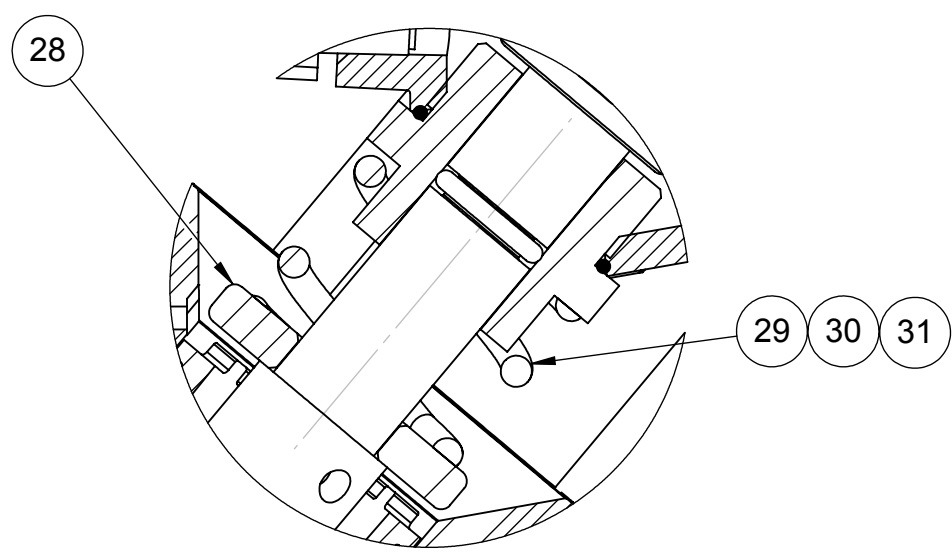
TITLE: CATALOG SHEET, 5521 DIAPHRAGM VALVE, STANDARD MODEL

SIZE **B** DWG NO. **BR1077693** REV **K**

SCALE 1:1 SHEET 1 OF 2



1076708 (K551-X214-14000)
LIMIT STOP



1071423 (K551-X203-14000) 30 PSI
 1071424 (K551-X204-14000) 60 PSI
 1071427 (K551-X205-14000) 100 PSI
**FAILSAFE
 SPRING CLOSED**

REVISIONS					
ZONE	ECN	REV.	DESCRIPTION	DATE	APP'D
			SEE SHEET 1 FOR LIST OF CHANGES		

LIMIT STOP MODEL

ITEM NO	DESCRIPTION	PART NUMBER	QTY
23	LIMIT STOP SCREW, SS	1075058	1
24	O-RING,2-012,BUNA	1071668	1
25	LIMIT STOP NUT, SS	1075057	1
26	O-RING,2-016,BUNA	1071671	1
27	CAP, 521, LIMIT STOP	43724	1

FAILSAFE SPRING CLOSED - 30 PSI

ITEM NO	DESCRIPTION	PART NUMBER	QTY
28	RETAINER, SPRING	1075351	1
29	SPRING, COMPRESSION	1075366	1

FAILSAFE SPRING CLOSED - 60 PSI

ITEM NO	DESCRIPTION	PART NUMBER	QTY
28	RETAINER, SPRING	1075353	1
30	SPRING, COMPRESSION	1075370	1

FAILSAFE SPRING CLOSED - 100 PSI

ITEM NO	DESCRIPTION	PART NUMBER	QTY
28	RETAINER, SPRING	1075351	1
31	SPRING, COMPRESSION	1075365	1

REPAIR PARTS KITS	
DESCRIPTION	PART NO.
INT. PARTS KIT (LIMIT STOP) CONSIST OF ITEM NO'S 23 THRU 26	1075040 (521-LS)

CONVERSION KITS	
DESCRIPTION	PART NO.
CONVERSION PARTS KIT (LIMIT STOP) CONSISTS OF ITEM NO'S 23 THRU 27	1071090 (K521-LSC)

NOTE:

- LIMIT STOP OPTION ONLY OFFERED ON FAIL SAFE SPRING CLOSED MODELS.
- FAILSAFE OPTION NOT OFFERED IN CONVERSION KIT FORM DUE TO SPECIAL ASSEMBLY REQUIREMENTS.
- COMPONENTS/ASSEMBLIES TO BE COMPLIANT AND COMPATIBLE WITH EUROPEAN UNION DIRECTIVE 2002/95/EEC (RoHS) REQUIREMENTS.

SEE SHEET 1078142 FOR UNION END CONECTORS,
SEE SHEET 1078142 FOR GROOVED ADAPTORS,

<small>THIS DOCUMENT IS SOLELY THE PROPERTY OF AQ Matic VALVE & CONTROLS COMPANY INC. REPRODUCTION, USE DISCLOSURE, OR TRANSMISSION OF THIS DOCUMENT OR DETAILS CONTAINED HEREIN, IN PART OR IN WHOLE, IS PROHIBITED WITHOUT THE WRITTEN CONSENT OF AQ Matic ENGINEERING. THIS DOCUMENT AND ANY COPIES SHALL BE RETURNED TO AQ Matic UPON REQUEST.</small> <small>DO NOT SCALE DRAWING. DIMS. ARE IN INCHES [mm] INTERPRET DIMS AND TOLERANCES PER ASME Y14.5M -2009 UNLESS OTHERWISE SPECIFIED. ALL FINISHED MACHINED SURFACES 125 ✓ OR BETTER. TOLERANCES: ANGLES: ± 1° 1 PLACE .X: ± .015 [0.38] 2 PLACE .XX: ± .01 [0.3] 3 PLACE .XXX: ± .005 [0.13]</small>	THIRD ANGLE PROJECTION		AQ Matic <small>Valve & Controls Company Inc.</small>	
	APPROVALS	DATE	TITLE	
	DRAWN	08/29/12	CATALOG SHEET, 5521 DIAPHRAGM VALVE, STANDARD MODEL	
	CHECKED		SIZE B	DWG NO. BR1077693
		SCALE 1:1	SHEET 2 OF 2	