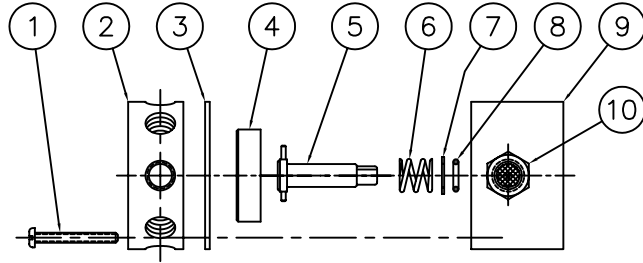
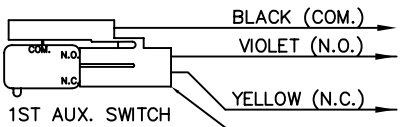
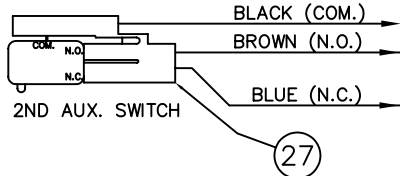


PILOT CONTROL ASSEMBLY



OPTIONAL AUX. SWITCHES

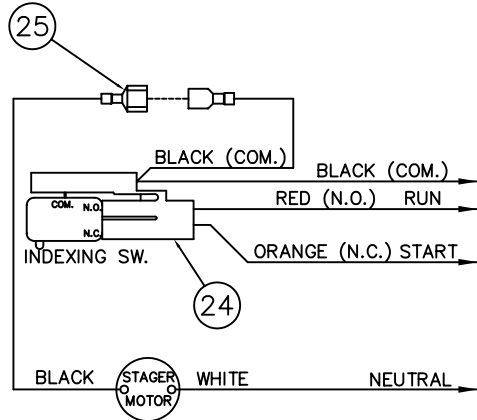
MAXIMUM OF TWO (2)



SWITCH RATINGS

- 11A 1/3HP
- 125, 250, 277 VAC
- 1/2A 125 VDC
- 1/4A 250 VDC
- 4A 125 VAC L

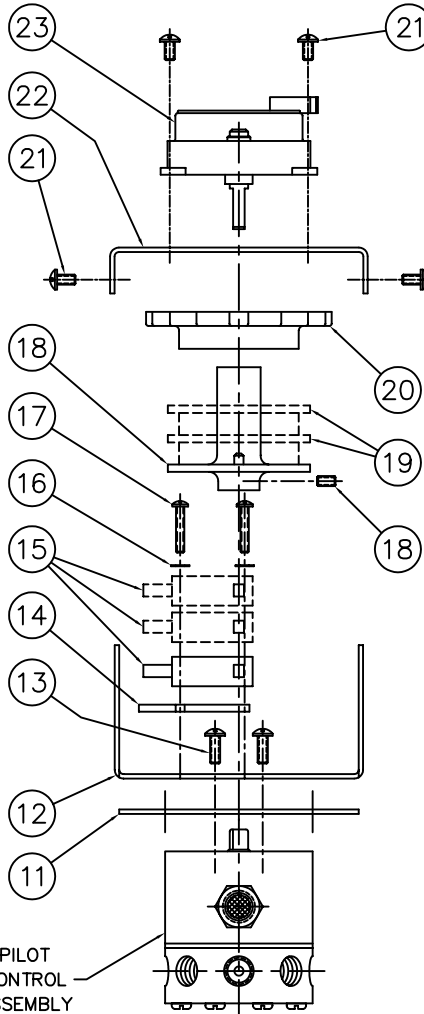
STANDARD WIRING



INTERNAL PARTS KITS

| STAGER PROGRAM | INTERNAL PARTS KITS STD. PROGRAMS | INTERNAL PARTS KITS INVERTED PROGRAMS |
|----------------|-----------------------------------|--|
| 51-06 | | |
| 51-07 | 1074888 (51-IA-00) | |
| 51-09 | | |
| 51-10 | 1074890 (51-IA-10) | |
| 51-11 | 1074891 (51-IA-11) | |
| 51-12 | 1074892 (51-IA-12) | |
| 51-86 | 1074893 (51-IA-86) | 1077587 (51-IA-86) |
| 51-87 | | |
| 51-SP | 1074887 (51-IA-SP) | SPECIFY DWG. NO. WHEN ORDERING THESE PARTS |


* INTERNAL PARTS KITS INCLUDE ITEM NOS. 3, 4, 6, 7 & 8 ALONG WITH A SMALL PACKET OF SILICON COMPOUND



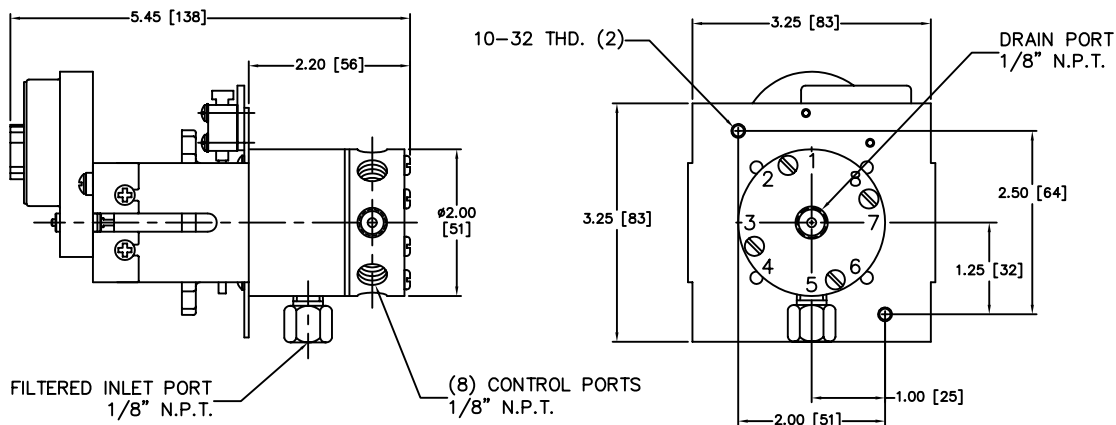
| NO. | DESCRIPTION | PART NO. | QTY. |
|-----|------------------------------------|---|------|
| 1 | PAN HD. MACH. SCR. (6-32 X 1 1/8") | 1075760 (SCS-0076) | 4 |
| 2 | BACKPLATE | PER PROGRAM | 1 |
| 3 | GASKET (SEE NOTE 3) | 1075675 (96034) | 1 |
| 4 | STEMPLATE (SEE NOTE 3) | PER PROGRAM | 1 |
| 5 | STEMSHAFT | 1070438 | 1 |
| 6 | SPRING (SEE NOTE 3) | 1075242 (54-S) | 1 |
| 7 | WASHER (SEE NOTE 3) | 1075241 (54-R) | 1 |
| 8 | O-RING (SEE NOTE 3) | 1071716 (ORE-011) | 1 |
| 9 | BONNET | 1074883 (51-B) | 1 |
| 10 | FILTERED INLET (1/8" N.P.T.) | 1074825 (48-Q) | 1 |
| 11 | MOUNTING PLATE GASKET | 1075674 (96B050) | 1 |
| 12 | BOTTOM MOUNTING BRACKET | 1077824 | 1 |
| 13 | PAN HD. MACH. SCR. (6-32 X 3/8") | 1072371 (SCS-0070) | 2 |
| 14 | INSULATOR | 1075455 (58B019) | 1 |
| 15 | SWITCH | 1075499 (58013) | 1-3 |
| 16 | LOCK WASHER (NO. 4) | 1073593 (WAS-0015) | 2 |
| 17 | PAN HD. MACH. SCREW (4-40 THREAD) | 1 SWITCH 1072369 (SCS-0064) 2 SWITCHES 1075757 (SCS-0065) 3 SWITCHES 1072389 (SCS-0151) | 2 |
| 18 | INDEXING CAM (SEE NOTE 1) | 1076243 | 1 |
| | SET SCREW (6-32) | | 1 |
| 19 | AUXILIARY CAM (SEE NOTE 2) | 1075451 (58B017) | 0-2 |
| 20 | THUMB WHEEL | 1075454 (58B018) | 1 |
| 21 | TAPTITE SCREW (6-32 X 1/4") | 1075746 | 6 |
| 22 | MOTOR MOUNTING BRACKET | 1070436 | 1 |
| 23 | MOTOR (4 WATTS MAX.) | 115VAC 60HZ 1075748 230VAC 50/60HZ 1075749 24VAC 50/60HZ 1075750 12VAC 50/60HZ 1075753 | 1 |
| 24 | WIRE HARNESS (STANDARD) | 1075464 (58B030) | 1 |
| 25 | MALE CONNECTOR | 1075498 (58012) | 1 |
| 26 | WIRE HARNESS (1ST AUX. SWITCH) | 1075501 (58015) | 1 |
| 27 | WIRE HARNESS (2ND AUX. SWITCH) | 1075502 (58016) | 1 |

NOTES:

1. STAGER PROGRAM MUST BE SPECIFIED WHEN ORDERING THIS PART.
2. MUST SPECIFY IN WHICH POSITION(S) SWITCH OUTPUT(S) ARE REQUIRED.
3. SUPPLIED AS A KIT ONLY.

| | | | | |
|---|-------------------|---------|----------|------|
| C | NUMBER CONVERSION | 1588 | 13DECO2 | |
| REV. | DESCRIPTION | ECO | DATE | APVD |
|  | | | | |
| 16605 West Victor Rd New Berlin, WI 53151 262-326-0100 www.aq-matic.com | | | | |
| SERIES 51 STAGER ASSEMBLY ASSEMBLY DRAWING | | | | |
| SCALE | DRAWN | DATE | DWG. NO. | |
| 3/8 | MSM | 19Feb01 | 1077770 | |

SERIES 51 STAGER ASSEMBLY

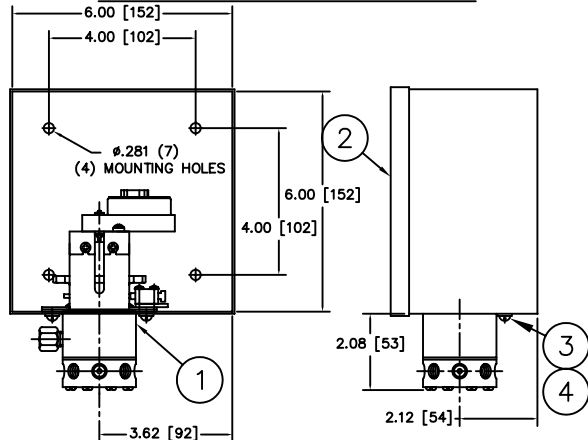


| NO. | DESCRIPTION | PART NO. | QTY. |
|-----|---|-----------------------|------|
| 1 | STAGER ASSEMBLY | R051-___-___B | 1 |
| 2 | NEMA 1 | 1075751 | 1 |
| | NEMA 4 | 1077967 | |
| | NEMA 4XFG | 1077970 | |
| 3 | PAN HEAD MACHINE SCREW 10-32 x 1/2" LONG | 1075758 (510-BU) | 2 |
| 4 | LOCKWASHER (NO. 10) | 1073588 (WAS-0005) | 2 |

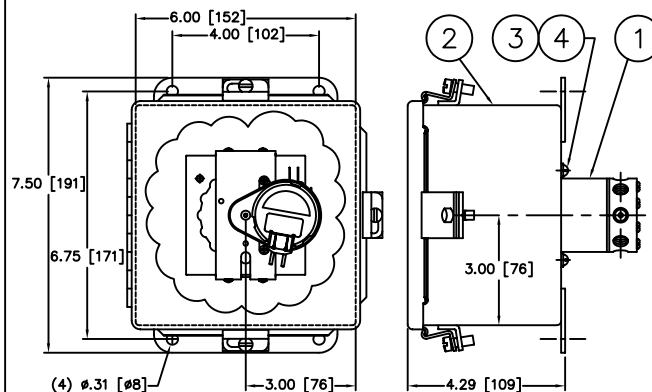
NOTE:

1. STAGERS CAN BE MANUALLY ADVANCED BY ROTATING THE CAM CLOCKWISE.
2. PIPING SCHEMATICS AVAILABLE UPON REQUEST.

NEMA 1 ENCLOSURE



NEMA 4 ENCLOSURE



INCHES [MILLIMETERS]

| SERIES NO. | PORTS VENTED IN POSITION | | | | | | | | DESCRIPTION |
|------------|--------------------------|-------|------------|--------------|------------|-----------|------------|---------------|--------------------------|
| | A | B | C | D | E | F | G | H | |
| 51-06 | 1,2(SVC) | - | 4(BW) | - | 5,6,7(BR) | 6,7(SR) | 1,7(FR) | 1,2,8(BR REF) | TIMED BR. & REFILL SOFT. |
| 51-07 | 1,2(SVC) | - | 4(BW) | - | 5,6,7(BR) | 6,7(SR) | 1,7(FR) | - | TIMED BRINE SOFTENER |
| 51-09 | 1,3(SVC) | - | - | 4(BW) | 5,7(BR/SR) | - | 1,7(FR) | 1,8(REF) | TIMED REFILL SOFTENER |
| 51-10 | 1,2,5,6(SVC) | - | 5,6,7(BW1) | 1,5,6,8(FR1) | - | - | 1,2,3(BW2) | 1,2,4,5(FR2) | 2 TANK SEQ. FILTER |
| 51-11 | 2,3(SVC) | - | 1,4(DR) | - | 4,6,7(AS) | 4,7,8(BW) | - | 1,2(FR) | FILTER WITH AIR SCOUR |
| 51-12 | 1,8(SVC) | 2(BW) | - | 4,5(BR) | 4,5(DSP) | 5,6(REC) | 4,8(FR) | - | BRINE RECYCLE SOFT. |
| 51-86 | 1(BW) | 2(BW) | 3(BW) | 4(BW) | 5(BW) | 6(BW) | 7(SVC) | - | 6 TANK SEQ. FILTER |
| 51-87 | 1(BW) | 2(BW) | 3(BW) | 4(BW) | 5(BW) | 6(BW) | 7(BW) | 8(SVC) | 7 TANK SEQ. FILTER |

| | | | | |
|------|-------------------|------|---------|------|
| C | NUMBER CONVERSION | 1588 | 13DEC02 | |
| REV. | DESCRIPTION | ECO | DATE | APVD |



16605 Victor Rd
New Berlin, WI 53151
262-326-0100
www.aq-matic.com

SERIES 51 STAGER PROGRAMS AND MOUNTING DRAWING

| | | | |
|-------|-------|---------|----------|
| SCALE | DRAWN | DATE | DWG. NO. |
| N/A | MSM | 19Feb01 | 1077770 |