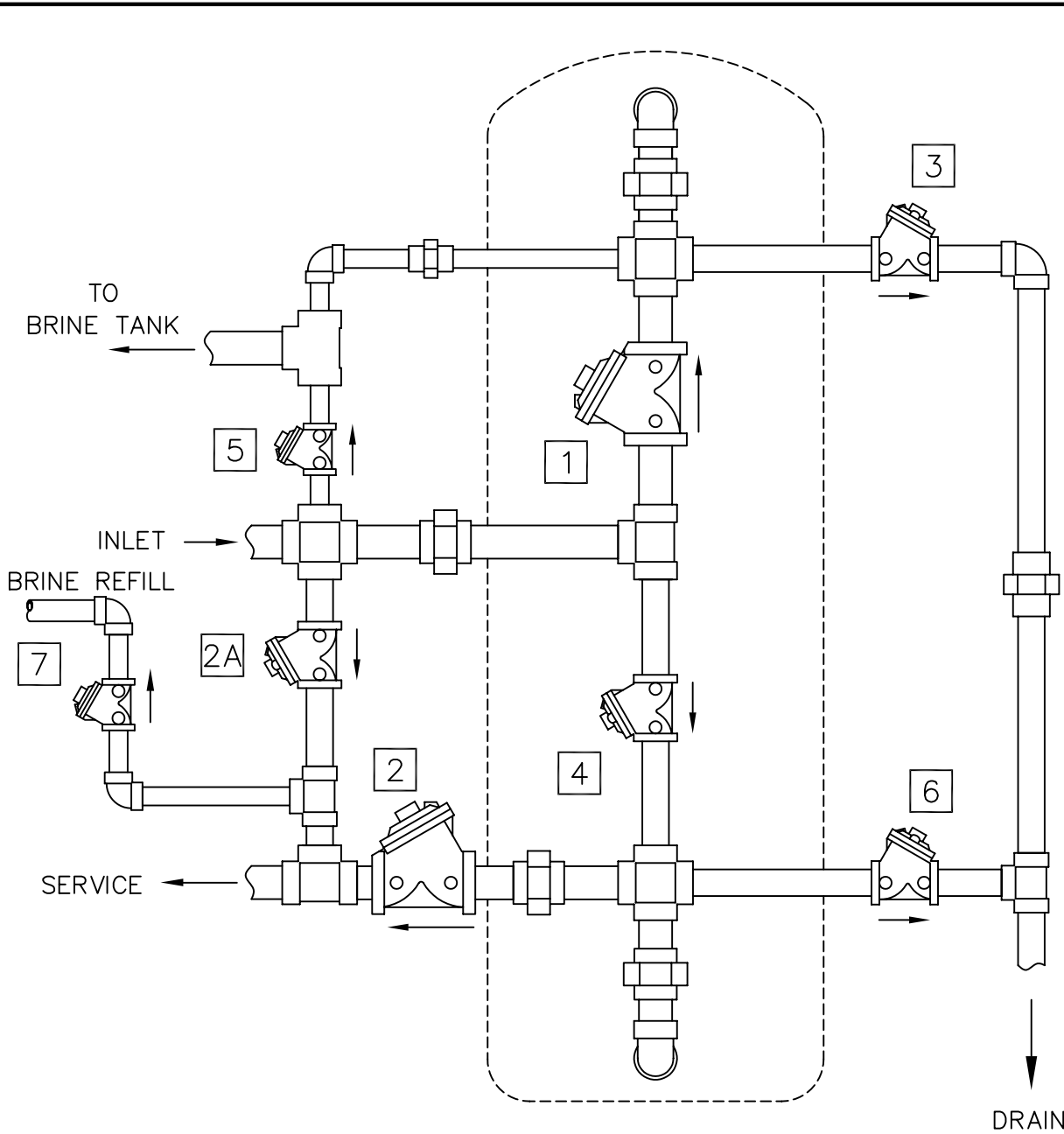
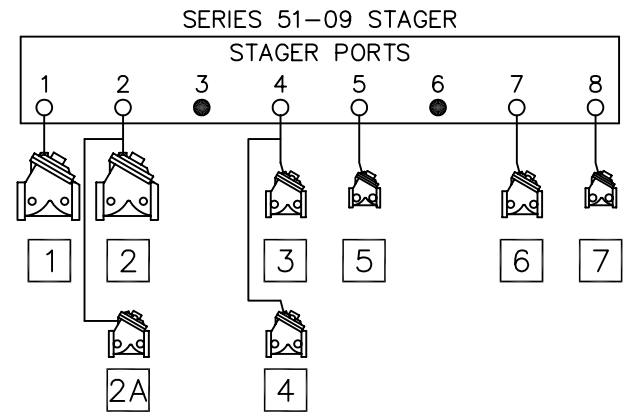


5 POS. SOFTENER W/ TIMED BRINE REFILL (51-09 STAGER)



**5 POSITION SOFTENER W/ TIMED BRINE REFILL**

NOTCH	POS.	FUNCTION	PORTS VENTED (NOTE 1)	VALVES OPEN
A	0	SERVICE	1,2	1,2
B				
C				
D	1	BACKWASH	4	3,4,2A
E	2	BRINE/SLOW RINSE	5,7	5,6,2A
F				
G	3	FAST RINSE	1,7	1,6,2A
H	4	BRINE REFILL	1,2,8	1,2,7



**NOTE:**

1. ALL OTHER PORTS PRESSURIZED.
2. ALL VALVES (EXCEPT NO. 2A) NORMALLY OPEN, PRESSURE TO CLOSE. VALVE 2A NORMALLY CLOSED.
3. VALVE 2A REQUIRED FOR RAW WATER BYPASS DURING REGENERATION.
4. BRINE VALVE AND DRAIN LINE FLOW CONTROLLER NOT SHOWN.

B	CORRECTED STAGER	NONE	MSM	17JAN03	
REV	DESCRIPTION	ECO	DWN	DATE	APVD
		16605 West Victor Rd New Berlin, WI 53151 262-326-0100 www.aq-matic.com			
<b>5 POSITION SOFTENER W/ TIMED BRINE REFILL</b>					
SCALE	DRAWN	DATE	DWG. NO.		
N/A	JWB	06JAN03	1078281		