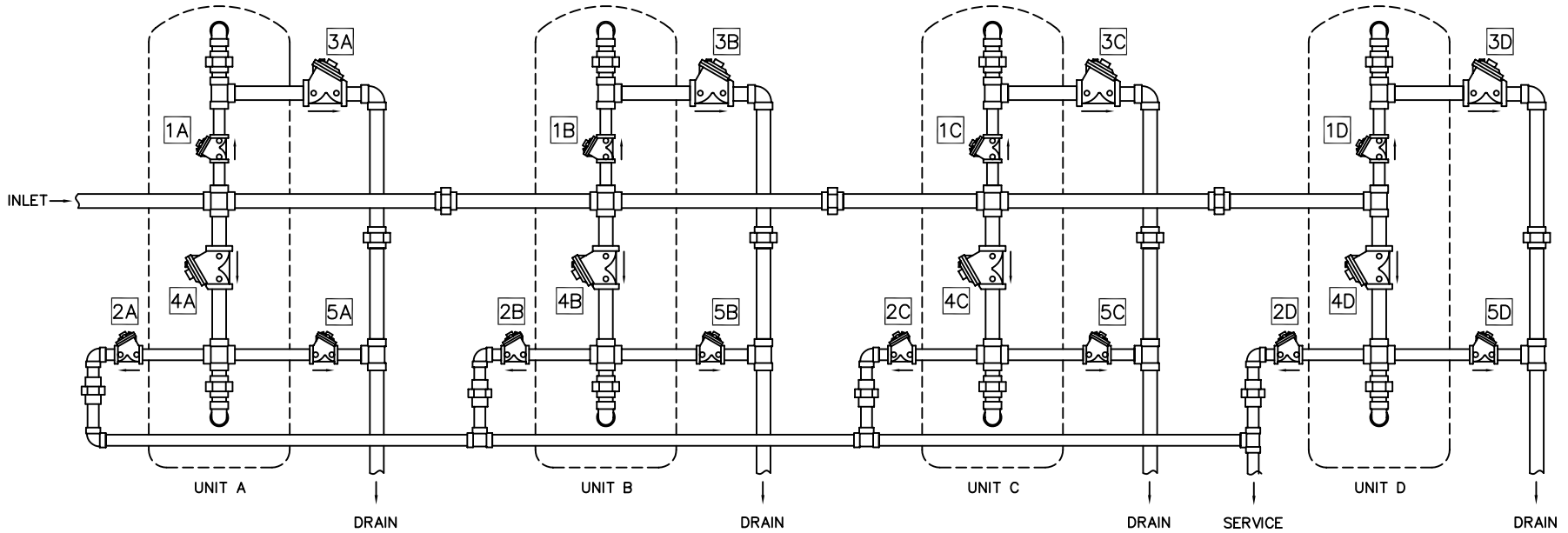
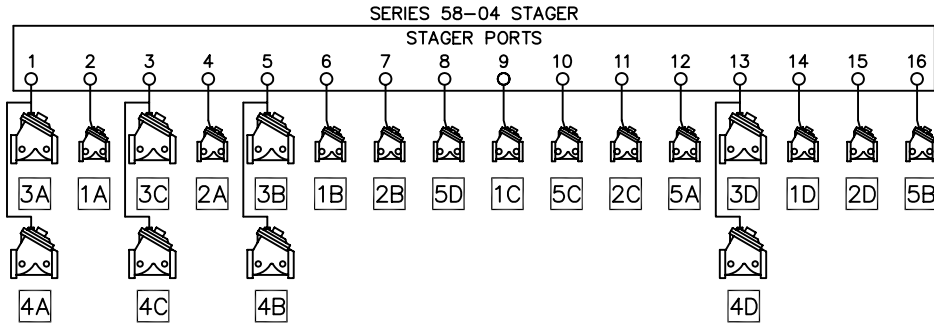


4 TANK SEQUENTIAL FILTER (58-04 STAGER)

4 TANK SEQUENTIAL FILTER



NOTE:

1. ALL OTHER PORTS PRESSURIZED.
2. ALL VALVES NORMALLY OPEN, PRESSURE TO CLOSE.
3. DRAIN LINE FLOW CONTROLLER NOT SHOWN.

PRINTED IN U.S.A.

NOTCH	POS.	FUNCTION	PORTS VENTED (NOTE 1)	VALVES OPEN	NOTCH	POS.	FUNCTION	PORTS VENTED (NOTE 1)	VALVES OPEN
A	0	SERVICE	2, 4, 6, 7, 9, 11	1A, 2A, 1B, 2B, 1C, 2C, 1D, 2D	J				
B					K				
C	1	BACKWASH UNIT A	1, 6, 7, 9, 11	3A, 4A, 1B, 2B, 1C, 2C, 1D, 2D	L	5	BACKWASH UNIT C	2, 3, 4, 6, 7	1A, 3C, 4C, 2A, 1B, 2B, 1D, 2D
D	2	RINSE UNIT A	2, 6, 7, 9, 11, 12	1A, 1B, 2B, 1C, 2C, 5A, 1D, 2D	M	6	RINSE UNIT C	2, 4, 6, 7, 9, 10	1A, 2A, 1B, 2B, 1C, 5C, 1D, 2D
E					N				
F					P				
G	3	BACKWASH UNIT B	2, 4, 5, 9, 11	1A, 2A, 3B, 4B, 1C, 2C, 1D, 2D	Q	7	BACKWASH UNIT D	2, 4, 6, 7, 9, 11, 13	1A, 2A, 1B, 2B, 1C, 2C, (3D, 4D)
H	4	RINSE UNIT B	2, 4, 6, 9, 11, 16	1A, 2A, 1B, 1C, 2C, 1D, 2D, 5B	R	8	RINSE UNIT D	2, 4, 6, 7, 8, 9, 11, 14	1A, 2A, 1B, 2B, 5D, 1C, 2C, 1D

A	INITIAL RELEASE	NONE	MSM	31JUL01
REV	DESCRIPTION	ECO	DWN	DATE APVD
		16605 West Victor Rd New Berlin, WI 53151 262-326-0100 www.aq-matic.com		
4 TANK SEQUENTIAL FILTER				
SCALE	DRAWN	DATE	DWG. NO.	
N/A	JWB	31JUL01	1078289	