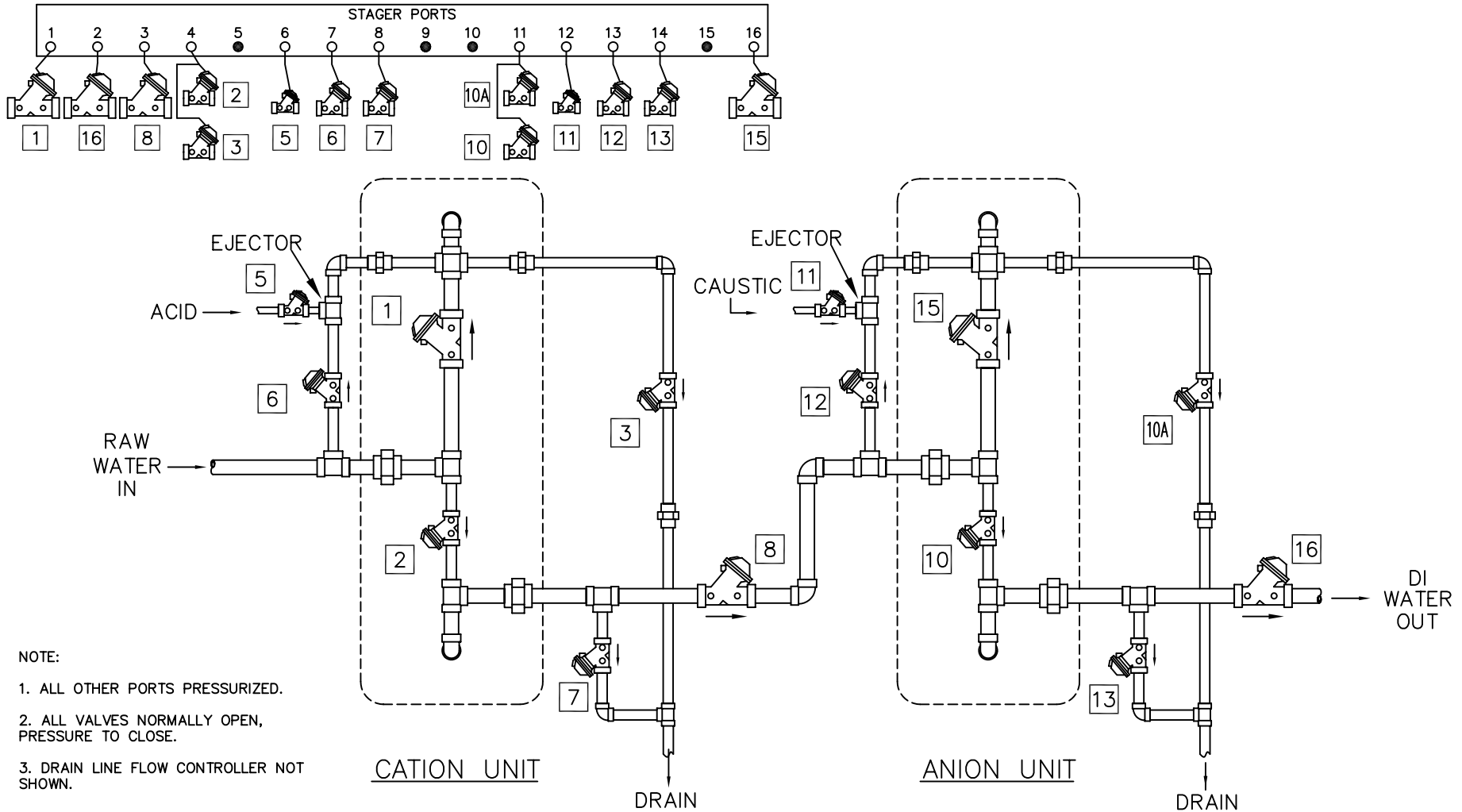


# TWO BED DE-IONIZER W/ DE-GASIFIER (58-02 STAGER)



- NOTE:
1. ALL OTHER PORTS PRESSURIZED.
  2. ALL VALVES NORMALLY OPEN, PRESSURE TO CLOSE.
  3. DRAIN LINE FLOW CONTROLLER NOT SHOWN.

PRINTED IN U.S.A.

### SERIES 58-02 STAGER PROGRAM

NOTCH	POS.	FUNCTION	PORTS VENTED (NOTE 1)	VALVES OPEN	NOTCH	POS.	FUNCTION	PORTS VENTED (NOTE 1)	VALVES OPEN
A	0	SERVICE	1,2,3,16	1,8,15,16	J	4	FAST RINSE	1,8	1,7
B					K	5	ANION BACKWASH	1,3,11	1,8,10,10A
C					L				
D	1	CATION BACKWASH	4	2,3	M				
E					N	6	CAUSTIC INJECT	1,3,12,13,14	1,8,11,12,13
F					P	7	SLOW RINSE	1,3,13,14	1,8,12,13
G	2	ACID INJECT	6,7,8	5,6,7	Q	8	FAST RINSE	1,3,14,16	1,8,13,15
H	3	SLOW RINSE	7,8	6,7	R				

REV	DESCRIPTION	ECO	DWN	DATE	APVD
A	INITIAL RELEASE	NONE	MSM	31JUL01	

16605 West Victor Rd  
New Berlin, WI 53151  
262-326-0100  
www.aq-matic.com

TWO BED DE-IONIZER W/ DE-GASIFIER

SCALE N/A	DRAWN JWB	DATE 31JUL01	DWG. NO. 1078291
--------------	--------------	-----------------	---------------------