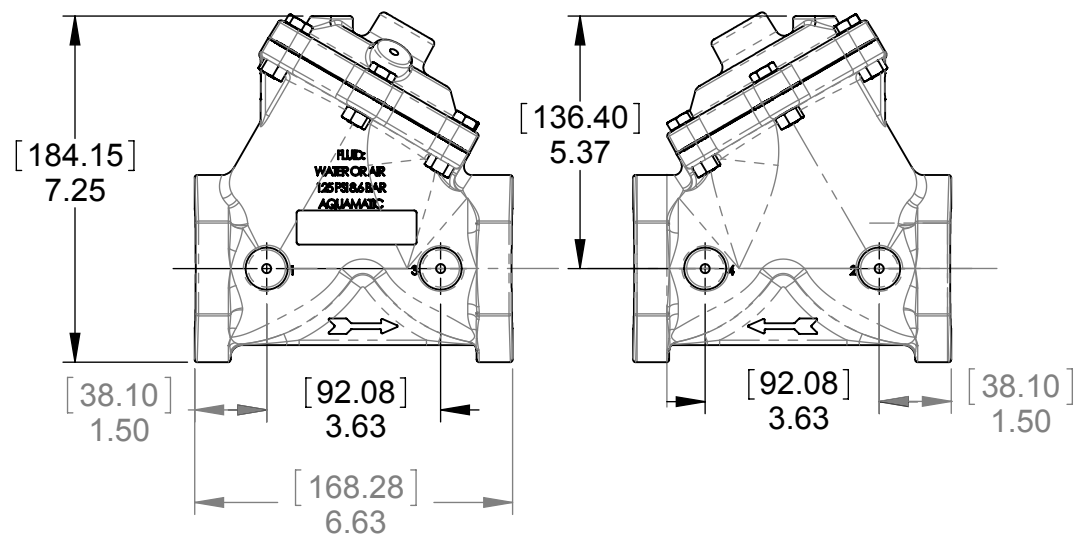


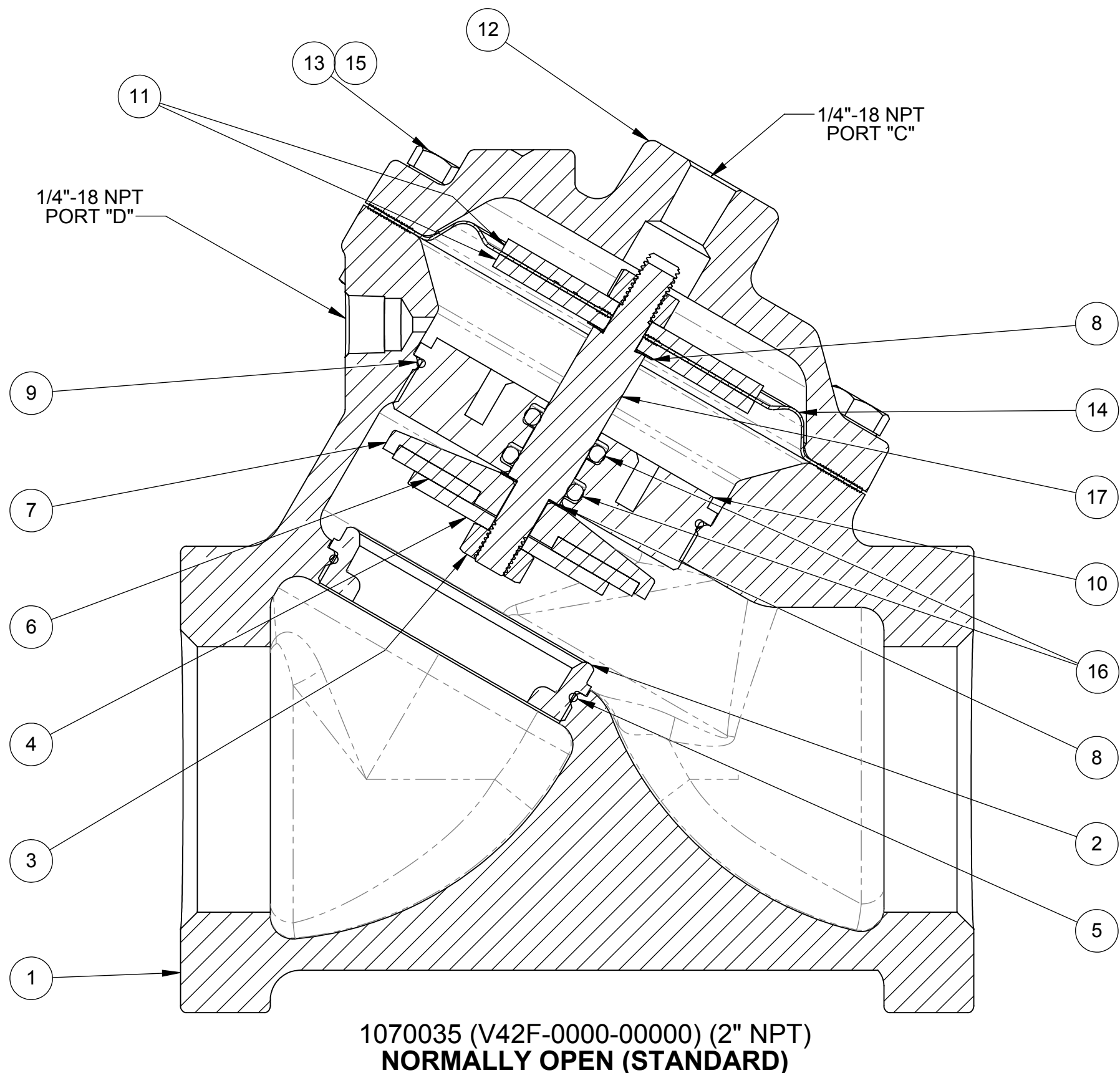
ASSEMBLY TOOLS	
DESCRIPTION	PART NO.
FOR INSTALLATION & REMOVAL OF SEAT (ITEM #2) (TOOL NOT SHOWN)	1074411 (426-MT)
FOR INSTALLATION & REMOVAL OF SHAFT GUIDE (ITEM #10) (TOOL NOT SHOWN)	1074299 (425-GAT)

REPAIR PARTS KITS		
DESCRIPTION	PART NO.	
DIAPHRAGM & SEALS KIT CONSISTS OF ITEM NO'S 3(2),5,6,8(2),9,14,16	1070070 (425-RA)	1070083 (425-RAE) 1070095 (425-RAV)
	BUNA N INCLUDES DIAPHRAGM 1074296 (425-FB)	E.P.D.M. INCLUDES DIAPHRAGM 1074296 (425-FB)
	FKM INCLUDES DIAPHRAGM 1074297 (425-FV)	
INT. PARTS KIT (NORM. OPEN) CONSISTS OF STANDARD ITEM NO'S 4,7,10,11(2),17	1070120 (425-RF)	
SEAT (ITEM NO.2)	1074321 (425-MO)	

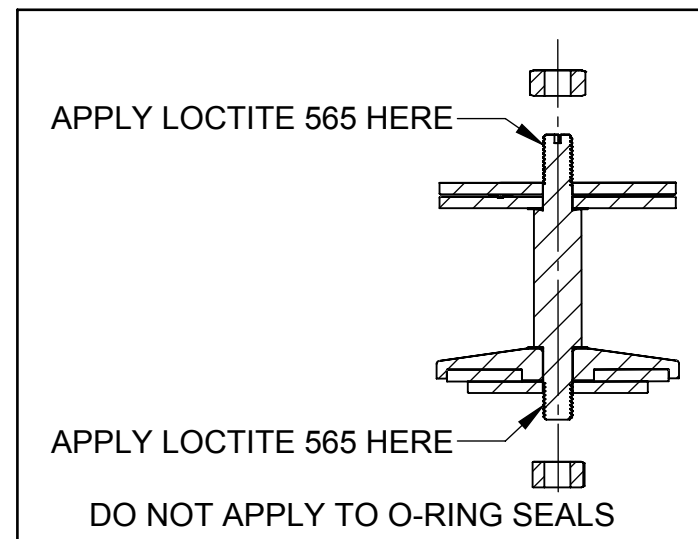
REVISIONS					
ZONE	ECN	REV.	DESCRIPTION	DATE	APP'D
	103805	N	1-ITEM#2- WAS: BRASS, 2-ITEM#4- WAS:1074220, 3- WAS:1" HEX SOCKET, 4-ITEM#32- WAS: BRASS, 5-UPDATED TITLE BLOCK	18SEP14	TJM
	103881	P	ITEM 19- WAS: 1078476	16OCT14	TJM
	104429	R	1-ITEM#11-WAS: 43761	25MAR15	TJM
	104479	T	1-ITEM# 4- WAS: 1074221	07APR15	TJM
	104732	U	1-ADD'D: TORQUE TABLES	01JUN15	TJM



TORQUE TABLE		
ITEM #	DESCRIPTION	TORQUED TO(+/- 10%)
2	SEAT	120 IN/LBS
3	UPPER NUT	140 IN/LBS
3	LOWER NUT	140 IN/LBS
10	SHAFT GUIDE	120 IN/LBS
13 & 15	NUT, HEX SCREW	140 IN/LBS



1070035 (V42F-0000-00000) (2" NPT)  
NORMALLY OPEN (STANDARD)



NO.	DESCRIPTION	STD	PART NO.	QTY.
1	BODY CAST IRON 2" NPT	•	1074277 (425-A)	1
2	SEAT (REQ'S ASSY TOOL) SS	•	1074321 (425-M0)	1
3	HEX NUT (5/16-24)	•	1263853	2
4	DISC PLATE SS	•	43943	1
5	O-RING	BUNA N	1071682 (ORB-035)	1
		E.P.D.M.	1071724 (ORE-035)	
		FKM	1071794 (ORV-035)	
6	DISC	BUNA	1074307 (425-J)	1
		E.P.D.M.	1074309 (425-JE)	
		FKM	1074312 (425-JV)	
		HYCAR	1074310 (425-JH)	
7	DISC HOLDER SS	•	43731	1
8	GASKET COPPER	•	1074252 (424-R)	2
9	O-RING	BUNA N	1071684 (ORB-038)	1
		E.P.D.M.	1071725 (ORE-038)	
		FKM	1071795 (ORV-038)	
10	SHAFT GUIDE (REQ'S ASSY TOOL) SS	•	43775	1
11	DIAPHRAGM PLATE SS	•	43730	2
12	CAP CAST IRON	•	1074281 (425-C)	1
13	HEX SCREW PLATED STEEL	•	1072400 (SCZ-0013)	6
14	DIAPHRAGM	BUNA N	1074296 (425-FB)	1
		FKM	1074297 (425-FV)	
15	HEX NUT PLATED STEEL	•	1071657 (NUZ-0011)	1
16	O-RING	BUNA N	1071699 (ORB-206TC)	2
		E.P.D.M.	1239009	
		FKM	1239008 (ORV-206)	
17	SHAFT (NORMALLY OPEN)	•	1074314 (425-L)	1

NOTE:

- AMERICAN NATIONAL STANDARD TAPER PIPE THREADS (NPT) PER ANSI B2.1-1968.
- VALVES AVAILABLE WITH B.S.P.T. END CONNECTIONS.

SEE REVERSE SIDE FOR CONFIGURATION OPTIONS

<small>COMPONENTS / ASSEMBLIES TO BE COMPLIANT AND COMPATIBLE WITH EUROPEAN UNION DIRECTIVE 2011/65/EEC (RoHS2) &amp; REGULATION (EC)1907/2006 (REACH) REQUIREMENTS</small>					
<small>THIS DOCUMENT IS SOLELY THE PROPERTY OF AQ Matic VALVE &amp; CONTROLS COMPANY INC. REPRODUCTION, USE, DISCLOSURE, OR TRANSMISSION OF THIS DOCUMENT OR DETAILS CONTAINED HEREIN, IN PART OR IN WHOLE, IS PROHIBITED WITHOUT THE WRITTEN CONSENT OF AQ Matic ENGINEERING. THIS DOCUMENT AND ANY COPIES SHALL BE RETURNED TO AQ Matic UPON REQUEST.</small>					
THIRD ANGLE PROJECTION	APPROVALS	DATE	<b>AQ Matic</b> Valve & Controls Company Inc.		
DRAWN	TMS	06-03-10	TITLE <b>CATALOG SHEET, 425 DIAPHRAGM VALVE</b>		
APPROVED			SIZE	DWG NO.	REV
CHECKED			<b>B</b>	<b>BR1077615</b>	<b>V</b>
			SCALE	1:2	SHEET 1 OF 2

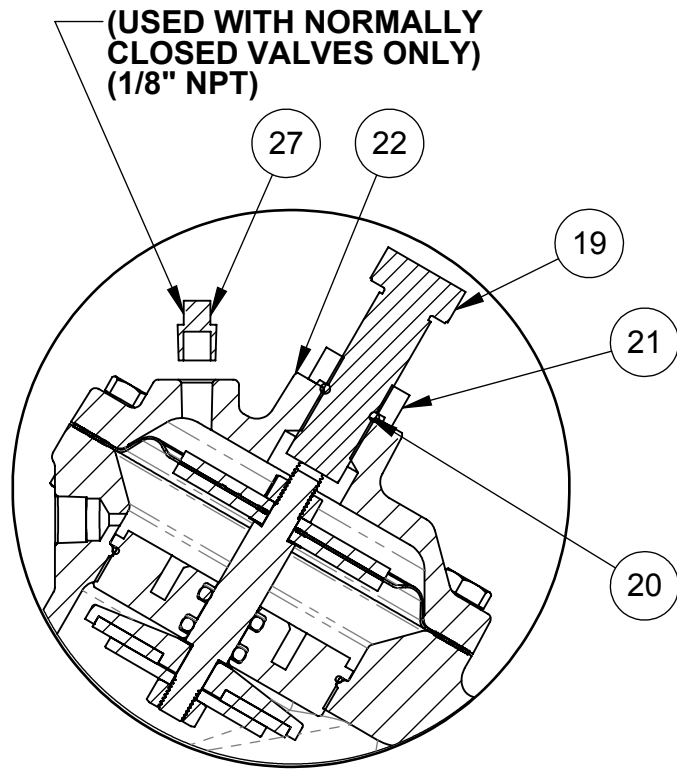
5

4

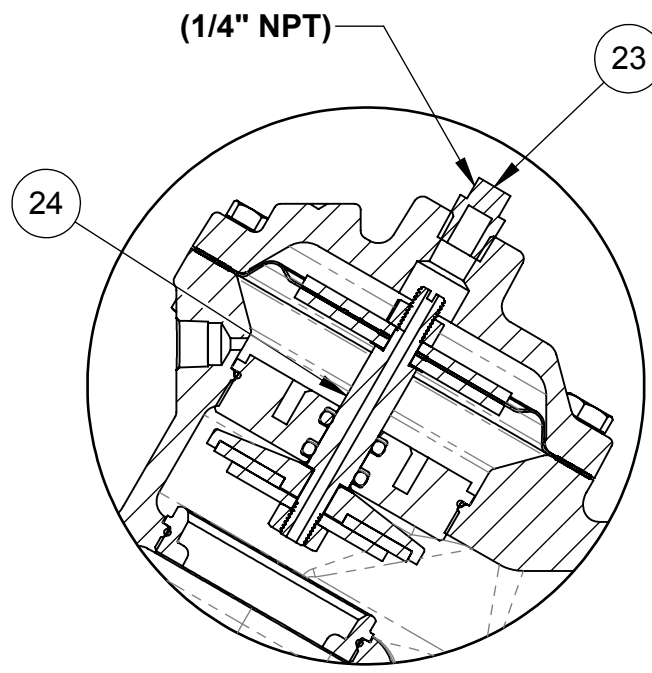
3

2

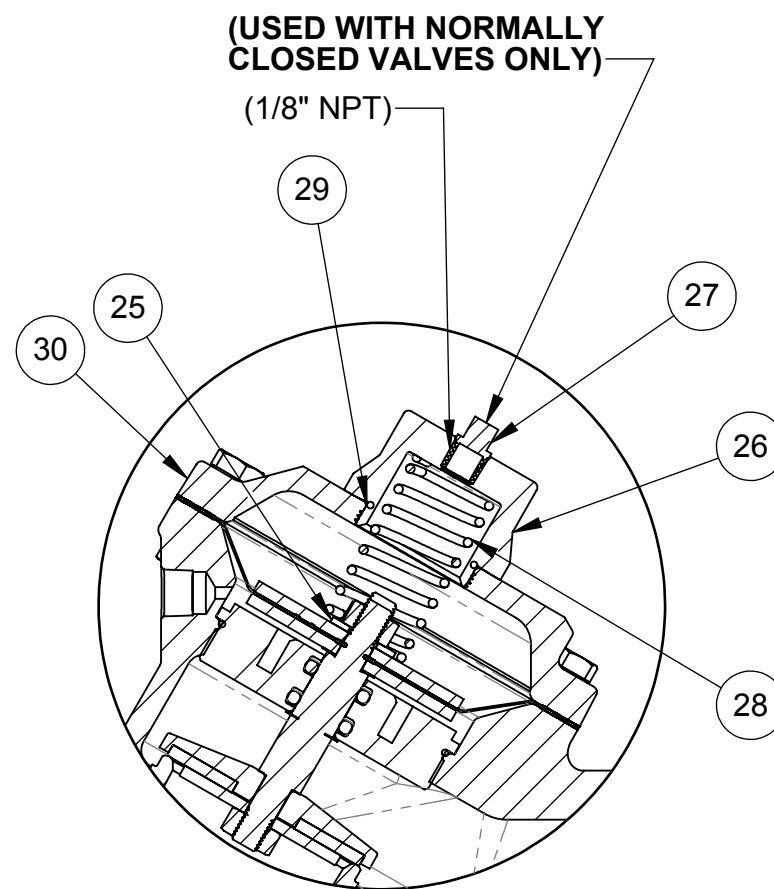
1



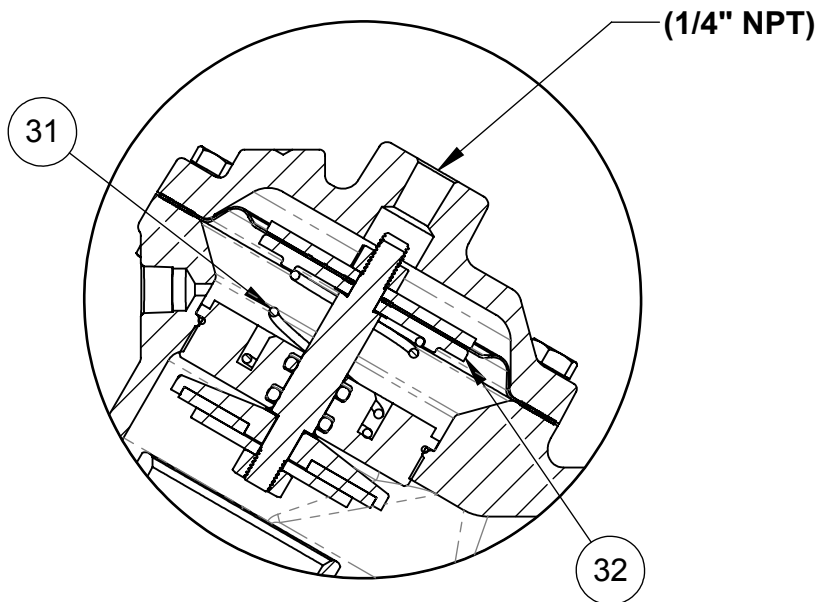
1070037 (V42F-0010-00000) (2" NPT)  
**LIMIT STOP**



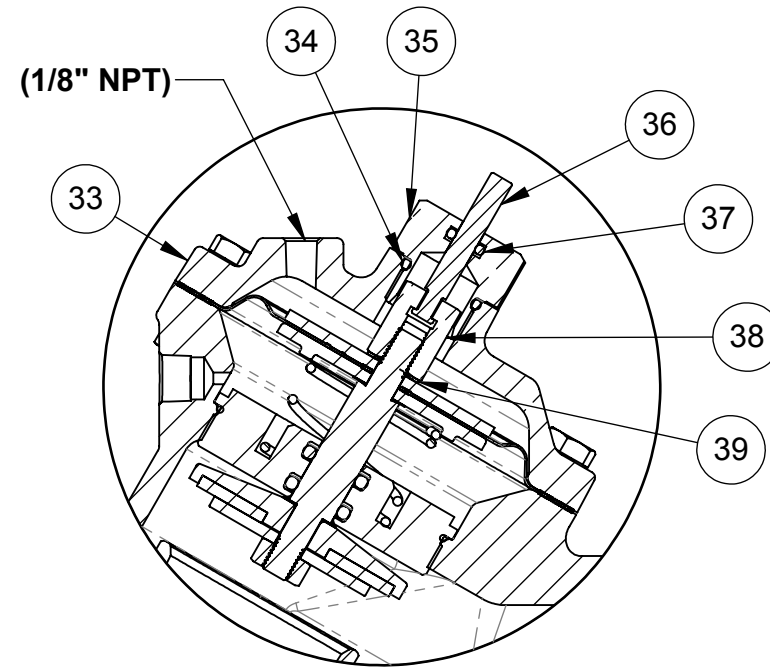
1072894 (V42F-0030-00000) (2" NPT)  
**NORMALLY CLOSED**



1072885 (V42F-0002-00000) (2" NPT)  
**SPRING ASSIST CLOSED**



1070036 (V42F-0001-00000) (2" NPT)  
**SPRING ASSIST OPEN**



1072893 (V42F-0021-00000) (2" NPT)  
**POSITION INDICATOR**

REVISIONS					
ZONE	ECN	REV.	DESCRIPTION	DATE	APP'D
	1001	V	AQ Matic update & verified part numbers	17JAN17	MGS

NO.	DESCRIPTION	STD	PART NO.	QTY.
<b>LIMIT STOP MODEL</b>				
19	SCREW	•	1078676	1
20	O-RING	•	1071690 (ORB-112)	1
21	NUT, LIMIT STOP	•	1074434 (426-U)	1
22	CAP, 425, NPT, LS	•	1074285 (425-CCC)	1
<b>NORMALLY CLOSED MODEL</b>				
23	PIPE PLUG (1/4" N.P.T.)	PLATED STEEL	• 1071918 (PLZ0008)	1
		BRASS	• 1071904 (PLB-0009)	1
24	SHAFT (NORMALLY CLOSED)	•	1074317 (425-LL)	1
<b>SPRING ASSIST CLOSED MODEL</b>				
25	CENTERING WASHER	BRASS	• 1074083 (421-AH)	1
26	NUT, SPRG RETAINER	SS	• 1074433 (428-IT)	1
27	PIPE PLUG (1/8" N.P.T.)	PLATED STEEL	• 1071917 (PLZ-0005)	1
		BRASS	• 1071903 (PLB-0007)	1
28	SPRING	•	1078688	1
29	O-RING	•	1071677 (ORB-025)	1
30	CAP	CAST IRON	• 1074284 (425-CA)	1
<b>SPRING ASSIST OPEN MODEL</b>				
31	SPRING	•	1078692	1
32	DIAPHRAGM PLATE	SS	• 43729	1
<b>POSITION INDICATOR MODEL</b>				
33	CAP	CAST IRON	• 1074288 (425-CF)	1
34	O-RING	•	1071692 (ORB-116)	1
35	SHAFT GUIDE BRUSHING	•	1074121 (421-GF)	1
36	INDICATOR SHAFT	•	1074325 (425-PM)	1
37	O-RING	•	1071688 (ORB-108-TC)	1
38	TOP NUT	•	1074332 (425-TB)	1
39	LOCKWASHER	•	1073590 (TRS-0007)	1

REPAIR PARTS KITS	
DESCRIPTION	PART NO.
INT. PARTS KIT (LIMIT STOP) CONSISTS OF STANDARD ITEM NO'S 19,20,21	1074319 (425-LS)
INT. PARTS KIT (NORM CLOSED) CONSISTS OF STANDARD ITEM NO'S 4,7,10,11(2),24	1070131 (425-RG)
INT. PARTS KIT (SPRING ASSIST CLOSED) CONSISTS OF STANDARD ITEM NO'S 25,28,29	1074329 (425-SC)
INT PARTS KIT (SPRING ASSIST OPEN) CONSISTS OF STANDARD ITEM NO'S 8,31,32	1074331 (425-SO)
INT PARTS KIT (POSITION INDICATOR) CONSISTS OF STD ITEM NO'S 34 THRU39	1074323 (425-PI)

CONVERSION KITS	
DESCRIPTION	PART NO.
CONVERSION KIT (LIMIT STOP) CONSISTS OF STANDARD ITEM NO'S 19,20,21,22	1074320 (425-LSC)
CONVERSION KIT (SPRING ASSIST CLOSED) CONSISTS OF STANDARD ITEM NO'S 25 THRU 30	1074330 (425-SCC)
CONVERSION KIT (SPRING ASSIST OPEN) CONSISTS OF STADARD ITEM NO'S 8,31,32	1074331 (425-SO)
CONVERSION KIT (POSITION INDICATOR) CONSISTS OF STANDARD ITEM NO'S 33 THRU 39	1074324 (425-PIC)

TORQUE TABLE		
ITEM #	DESCRIPTION	TORQUED TO (+/- 10%)
21	NUT, LIMIT STOP	120 IN/LBS
26	NUT, SPRING RETAINER	120 IN/LBS
35	SHAFT GUIDE BUSHING	120 IN/LBS
38	TOP NUT	120 IN/LBS

NOTE:

- SPRING ASSIST CLOSED MODEL CANNOT BE COMBINED WITH LIMIT STOP MODEL.
- VALVES AVAILABLE WITH B.S.P.T. END CONNECTIONS.

SEE REVERSE SIDE FOR  
STANDARD NORMALLY OPEN MODEL.

COMPONENTS / ASSEMBLIES TO BE COMPLIANT AND COMPATIBLE WITH EUROPEAN UNION DIRECTIVE 2011/65/EEC (RoHS2) & REGULATION (EC)1907/2006 (REACH) REQUIREMENTS

<p style="font-size: x-small;">THIS DOCUMENT IS SOLELY THE PROPERTY OF AQ Matic VALVE &amp; CONTROLS COMPANY INC. REPRODUCTION, USE, DISCLOSURE, OR TRANSMISSION OF THIS DOCUMENT OR DETAILS CONTAINED HEREIN, IN PART OR IN WHOLE, IS PROHIBITED WITHOUT THE WRITTEN CONSENT OF AQ Matic ENGINEERING. THIS DOCUMENT AND ANY COPIES SHALL BE RETURNED TO AQ Matic UPON REQUEST.</p> <p style="font-size: x-small;">DO NOT SCALE DRAWING. DIMS. ARE IN INCHES [mm] INTERPRET DIMS AND TOLERANCES PER ASME Y14.5M -2009 UNLESS OTHERWISE SPECIFIED: ALL FINISHED MACHINED SURFACES 125 √ OR BETTER. TOLERANCES: ANGLES: ± 1° 1 PLACE .X: ± .015 [0.38] 2 PLACE .XX: ± .01 [0.3] 3 PLACE .XXX: ± .005 [0.13]</p>	<p>THIRD ANGLE PROJECTION</p> <p>APPROVALS</p> <p>DRAWN TMS</p> <p>APPROVED</p> <p>CHECKED</p>	<p>DATE</p> <p>06-03-10</p>	<p><b>AQ Matic</b> Valve &amp; Controls Company Inc.</p> <p>TITLE</p> <p><b>CATALOG SHEET, 425 DIAPHRAGM VALVE</b></p> <p>SIZE <b>B</b> DWG NO. <b>BR1077615</b> REV <b>V</b></p> <p>SCALE 1:2 SHEET 2 OF 2</p>
---	--	-----------------------------	---