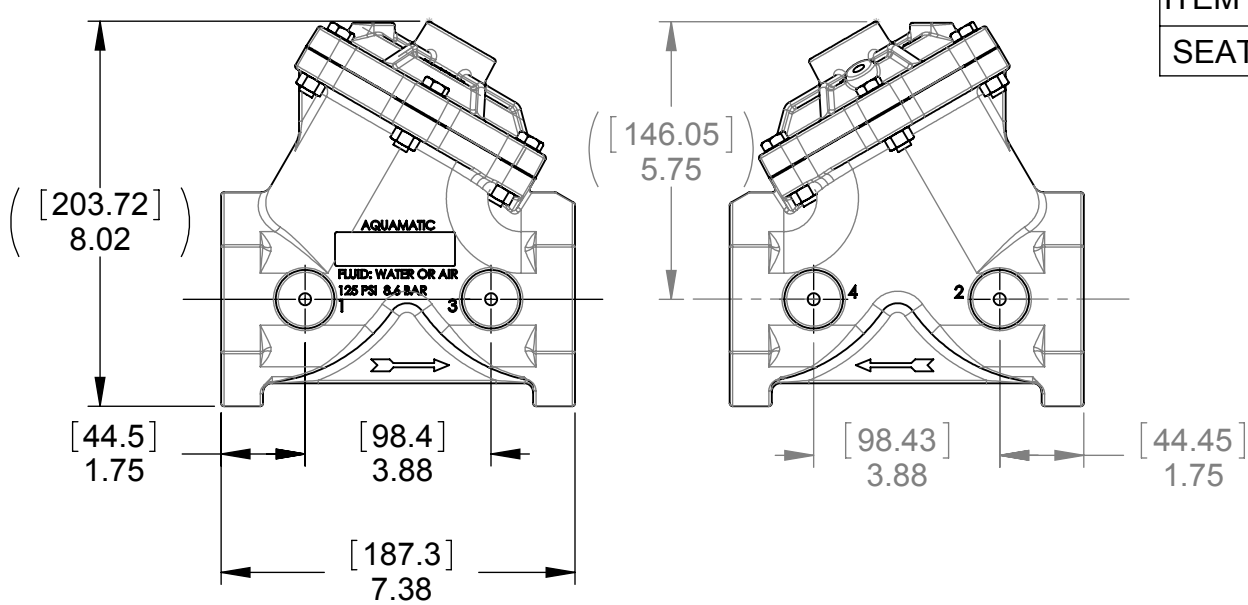


ASSEMBLY TOOLS	
DESCRIPTION	PART NO.
FOR INSTALLATION & REMOVAL OF SEAT (ITEM #2) (TOOL NOT SHOWN)	1074411 (426-MT)
FOR INSTALLATION & REMOVAL OF SHAFT GUIDE (ITEM #10) (TOOL NOT SHOWN)	1-1/4" HEX SOCKET

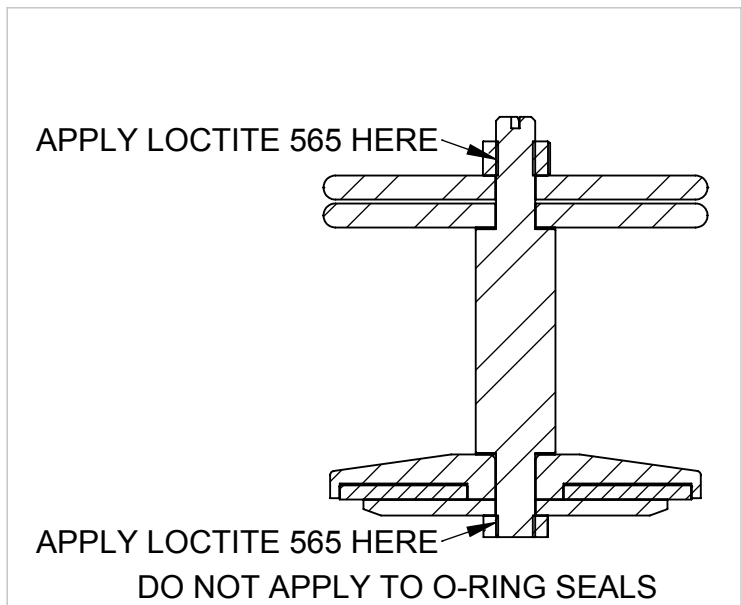
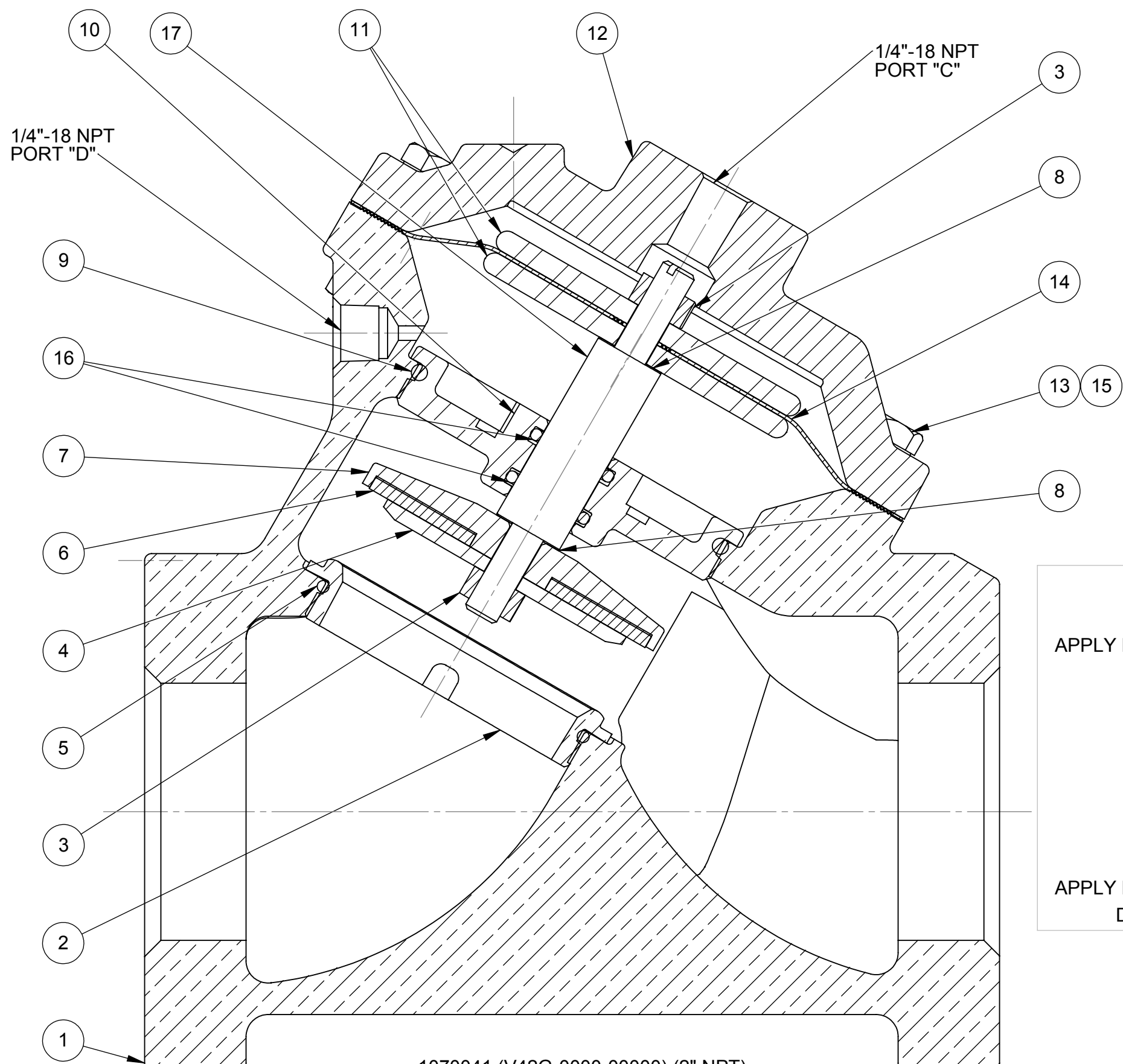


REPAIR PARTS KITS		
DESCRIPTION	PART NO.	
DIAPHRAGM & SEALS KIT CONSISTS OF ITEM NO'S 3(2),5,6,8(2),9,14,16	1070071 (426-RA)	1070084 (426-RAE)
	BUNA N INCLUDES DIAPHRAGM 1074374 (426-FB)	EPDM INCLUDES DIAPHRAGM 1074374 (426-FB)
	FKM INCLUDES DIAPHRAGM 1074376 (426-FV)	
INT. PARTS KIT (NORM. OPEN) CONSISTS OF STANDARD ITEM NO'S 4,7,10,11(2),17	1070121(426-RF)	
SEAT (ITEM NO. 2)	1074409 (426-MO)	

TORQUE TABLE		
ITEM #	DESCRIPTION	TORQUED TO (+/- 10%)
2	SEAT	200 IN/LBS
3	UPPER NUT	140 IN/LBS
3	LOWER NUT	140 IN/LBS
10	SHAFT GUIDE	200 IN/LBS
13 & 15	NUT, HEX SCREW	140 IN/LBS

REVISIONS					
ZONE	ECN	REV.	DESCRIPTION	DATE	APP'D
	32173	N	CORRECTED ROTATION OF CAPS	17FEB11	MHM
	32879	P	1-WAS: 1074411 (426-MT); 2-ADD'D: 1074127; 3-ADD'D: 42998;	06-06-11	TMS
	102034	R	ITEM #10-WAS 1074379, ITEM# 16-ADDED O-RING 1071691	5-31-13	NBE
	103562	T	ITEM# 4-WAS:1074395, ITEM# 7-WAS:1074381, ITEM# 10-WAS:43244, ITEM# 11-WAS:1074370, ITEM# 26-WAS:1074430, ITEM# 32-WAS: 43047	26JUN14	TJM
	104754	U	1-ADD'D: TORQUE CHARTS (PG-1 & 2)	23JUN15	TJM

NO.	DESCRIPTION	STD	PART NO.	QTY
1	BODY	CAST IRON	2" NPT * 1074343 (426-A8)	1
		CAST IRON	2 1/2" NPT * 1081559 (426-A10)	
	CAST BRASS	2" NPT * 1074338 (426-AB8)		
		2 1/2" NPT * 1074335 (426-AB10)		
2	SEAT; BRASS (REQ'S ASSY TOOL)	*	1074409 (426-M0)	1
3	HEX NUT (5/16-24)	*	1263853	2
4	DISC PLATE, SS		1074398	1
5	O-RING	BUNA N *	1071696 (ORB-144)	1
		EPDM	1071737 (ORE-144)	
		FKM	1071809 (ORV-144)	
6	DISC	BUNA *	1074389 (426-J)	1
		EPDM	1074391 (426-JE)	
		FKM	1074394 (426-JV)	
		HYCAR	1074392 (426-JH)	
7	DISC HOLDER, SS	*	1074386	1
8	GASKET, COPPER	*	1074252 (424-R)	2
9	O-RING	BUNA N *	1071706 (ORB-233)	1
		EPDM	1071754 (ORE-233)	
		FKM	1071826 (ORV-233)	
10	SHAFT GUIDE (REQ'S ASSY TOOL)	*	1074378	1
11	DIAPHRAGM PLATE; SS	*	1074371	2
12	CAP	CAST IRON *	1081560 (426-C)	1
		CAST BRASS	1074348 (426-CB)	
13	HEX SCREW	PLATED STEEL *	1072401 (SCZ-0015)	6
14	DIAPHRAGM	BUNA N *	1074374 (426-FB)	1
		FKM	1074376 (426-FV)	
15	HEX NUT	PLATED STEEL *	1071657 (NUZ-0011)	6
16	O-RING	BUNA N *	1071691 (ORB-114TC)	2
		EPDM	1071729 (ORE-114TC)	
		FKM	1242391 (ORV-114TC)	
17	SHAFT (NORMALLY OPEN)	*	1074401 (426-L)	1
18	TAG	*	1074129	1
19	RING,TAG ATTACHING	*	42998	1



NOTE:
 1. AMERICAN NATIONAL STANDARD TAPER PIPE THREADS (NPT) PER ANSI B2.1-1968.
 2. VALVES AVAILABLE WITH BSPT END CONNECTIONS.

SEE REVERSE SIDE FOR CONFIGURATION OPTIONS

1070041 (V42G-0000-00000) (2" NPT)
 1070042 (V42H-0000-00000) (2 1/2" NPT)
NORMALLY OPEN (STANDARD)

THIS DOCUMENT IS SOLELY THE PROPERTY OF AQ Matic VALVE & CONTROLS COMPANY INC. REPRODUCTION, USE DISCLOSURE, OR TRANSMISSION OF THIS DOCUMENT OR DETAILS CONTAINED HEREIN, IN PART OR IN WHOLE, IS PROHIBITED WITHOUT THE WRITTEN CONSENT OF AQ Matic ENGINEERING. THIS DOCUMENT AND ANY COPIES SHALL BE RETURNED TO AQ Matic UPON REQUEST.

DO NOT SCALE DRAWING. DIMS. ARE IN INCHES [mm] INTERPRET DIMS AND TOLERANCES PER ASME Y14.5M -2009 UNLESS OTHERWISE SPECIFIED. ALL FINISHED MACHINED SURFACES 125 ✓ OR BETTER. TOLERANCES:
 ANGLES: ± 1°
 1 PLACE .X: ± .015 [0.38]
 2 PLACE .XX: ± .01 [0.3]
 3 PLACE .XXX: ± .005 [0.13]

THIRD ANGLE PROJECTION	APPROVALS	DATE
DRAWN		
APPROVED		
CHECKED		

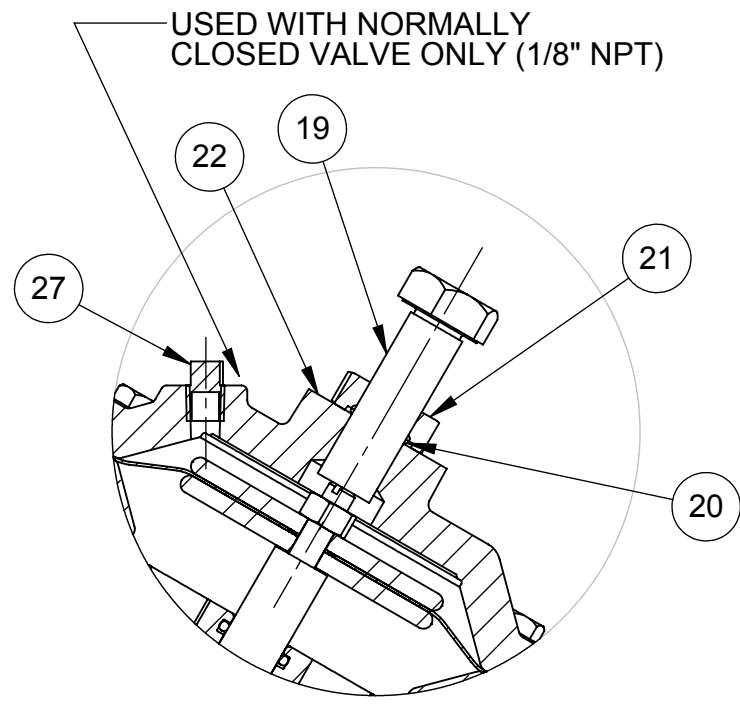
COMPONENTS / ASSEMBLIES TO BE COMPLIANT AND COMPATIBLE WITH EUROPEAN UNION DIRECTIVE 2002/95/EEC (ROHS) REQUIREMENTS

AQ Matic Valve & Controls Company Inc.

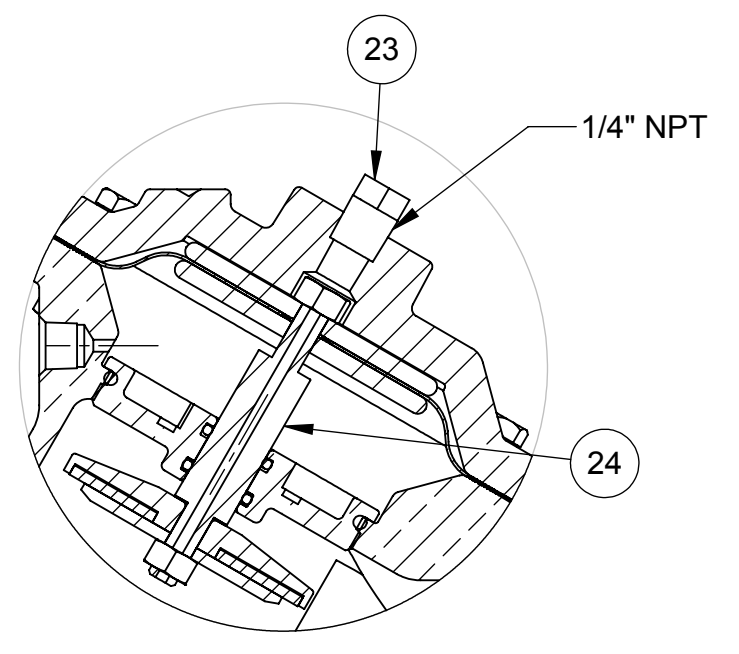
TITLE: CATALOG SHEET, 426
 DIAPHRAGM VALVE STANDARD MODEL

SIZE **B** DWG NO. **BR1077616** REV **V**

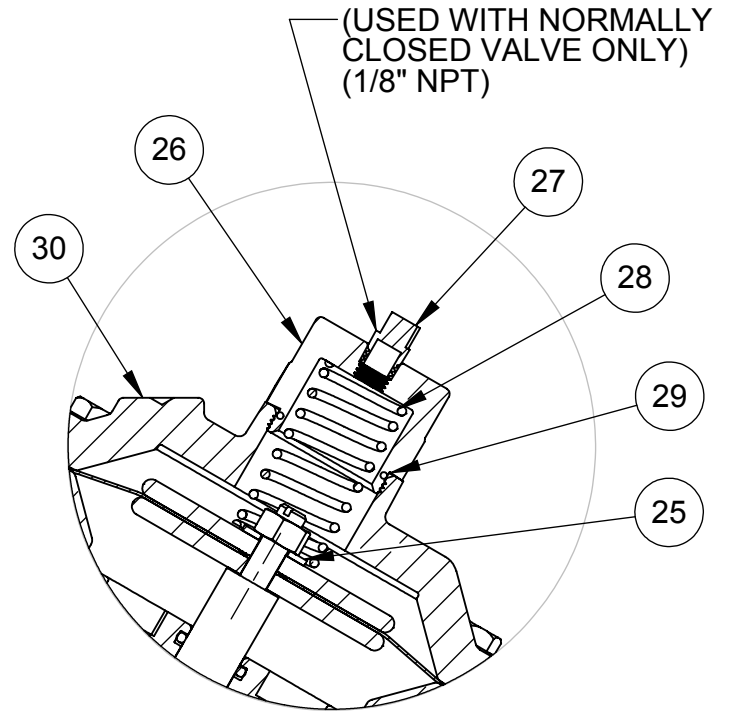
SCALE 1:2 SHEET 1 OF 2



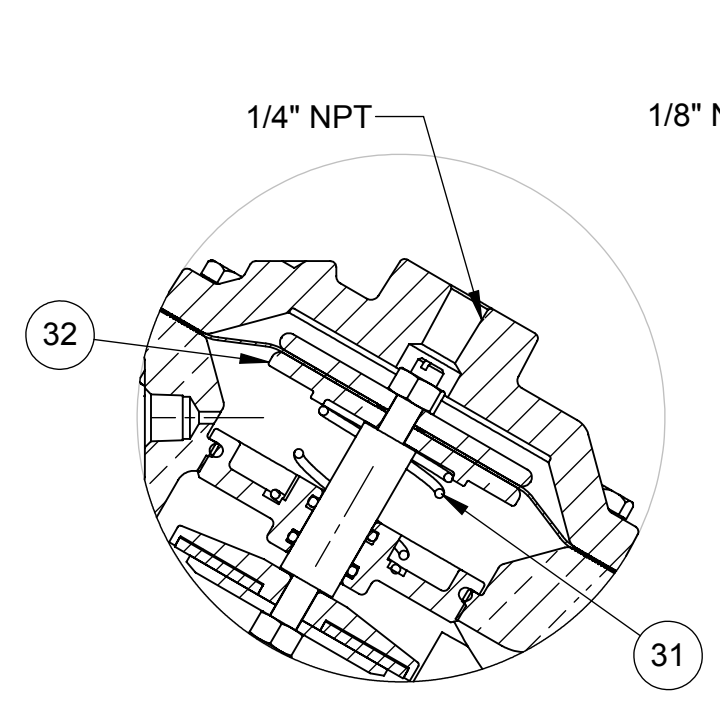
1072939 (V42G-0010-00000) (2"NPT)
1072998 (V42H-0010-00000) (2 1/2" NPT)
LIMIT STOP



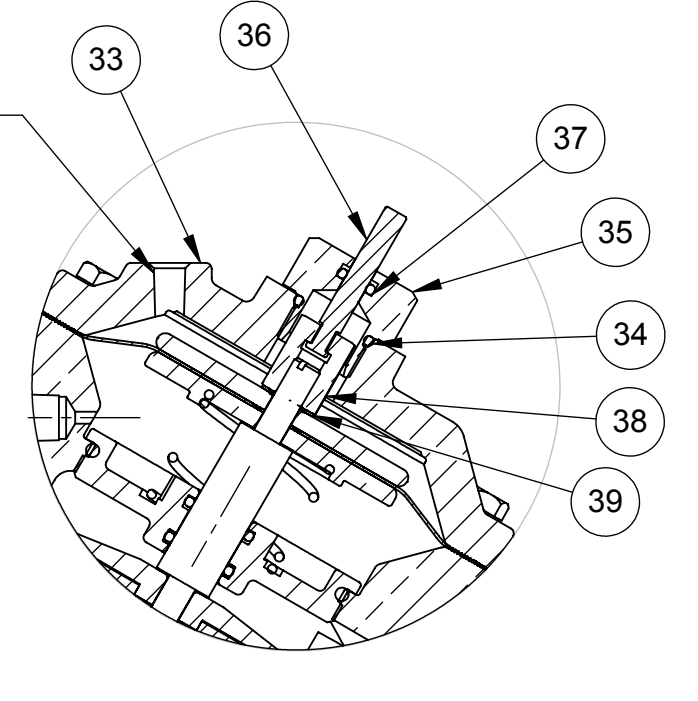
1072945 (V42G-0030-00000) (2"NPT)
1073002 (V42H-0030-00000) (2 1/2" NPT)
NORMALLY CLOSED



1072935 (V42G-0002-00000) (2"NPT)
1072996 (V42H-0002-00000) (2 1/2" NPT)
SPRING ASSIST CLOSED



1072932 (V42G-0001-00000) (2"NPT)
1072994 (V42H-0001-00000) (2 1/2" NPT)
SPRING ASSIST OPEN



1072943 (V42G-0021-00000) (2"NPT)
1073001 (V42H-0021-00000) (2 1/2" NPT)
POSITION INDICATOR

TORQUE TABLE		
ITEM#	DESCRIPTION	TORQUED TO (+/- 10%)
21	NUT	120 IN/LBS
26	RETAINER NUT	140 IN/LBS
35	SHAFT GUIDE BUSHING	140 IN/LBS
38	TOP NUT	120 IN/LBS

REPAIR PARTS KITS	
DESCRIPTION	PART NO.
INT. PARTS KIT (LIMIT STOP) CONSISTS OF STANDARD ITEM NO'S 19,20,21	1074405 (426-LS)
INT. PARTS KIT (NORM. CLOSED) CONSISTS OF STANDARD ITEM NO'S 4,7,10,11(2),24	1070132 (426-RG)
INT. PARTS KIT (SPRING ASSIST CLOSED) CONSISTS OF STANDARD ITEM NO'S 25,28,29	1074425 (426-SC)
INT. PARTS KIT (SPRING ASSIST OPEN) CONSISTS OF STANDARD ITEM NO'S 8,31,32	1074427 (426-SO)
INT. PARTS KIT (POSITION INDICATOR) CONSISTS OF STD ITEM NO'S 34 THRU 39	1074413 (426-PI)

CONVERSION KITS	
DESCRIPTION	PART NO.
CONVERSION KIT (LIMIT STOP) CONSISTS OF STANDARD ITEM NO'S 19,20,21,22	1074406 (426-LSC)
CONVERSION KIT (SPRING ASSIST CLOSED) CONSISTS OF STANDARD ITEM NO'S 25 THRU 30	1074426 (426-SCC)
CONVERSION KIT (SPRING ASSIST OPEN) CONSISTS OF STANDARD ITEM NO'S 8,31,32	1074427 (426-SO)
CONVERSION KIT (POSITION INDICATOR) CONSISTS OF STANDARD ITEM NO'S 33 THRU 39	1074414 (426-PIC)

REVISIONS					
ZONE	ECN	REV.	DESCRIPTION	DATE	APP'D
	1001	v	AQ Matic update & verified part numbers	17JAN17	MGS

NO.	DESCRIPTION	STD	PART NO.	QTY
LIMIT STOP MODEL				
19	SCREW	*	1078676	1
20	O-RING	*	1071690 (ORB-112)	1
21	NUT	*	1074434 (426-U)	1
22	CAP	CAST IRON	1074354 (426-CCC)	1
		BRASS	1074357 (426-CCCB)	
NORMALLY CLOSED MODEL				
23	PIPE PLUG (1/4" NPT)	PLATED STEEL	1071918 (PLZ-0008)	1
		BRASS	1071904 (PLB-0009)	
24	SHAFT (NORMALLY CLOSED)	*	43169 (426-LL)	1
SPRING ASSIST CLOSED MODEL				
25	CENTERING WASHER	BRASS	1074083 (421-AH)	1
26	RETAINER NUT	SS	1074433	1
27	PIPE PLUG (1/8" NPT)	PLATED STEEL	1071917 (PLZ-0005)	1
		BRASS	1071903 (PLB-0007)	
28	SPRING	*	1078688	1
29	O-RING	*	1071677 (ORB-025)	1
30	CAP	CAST IRON	1074352 (426-CC)	1
		CAST BRASS	1074353 (426-CCB)	
SPRING ASSIST OPEN MODEL				
31	SPRING		1078692	1
32	PLATE, DIAPHRAGM,426 SAO		43732	1
POSITION INDICATOR MODEL				
33	CAP	CAST IRON	1074360 (426-CF)	1
		CAST BRASS	1074364 (426-CFB)	
34	O-RING		1071692 (ORB-116)	1
35	SHAFT GUIDE BUSHING		1074121 (421-GF)	1
36	INDICATOR SHAFT		1074325 (425-PM)	1
37	O-RING		1071688 (ORB-108TC)	1
38	TOP NUT		1074332 (425-TB)	1
39	LOCKWASHER		1073590 (WAS-0007)	1

NOTE:
1. SPRING ASSIST CLOSED MODEL CANNOT BE COMBINED WITH LIMIT STOP OR POSITION INDICATOR MODELS.
2. VALVES AVAILABLE WITH B.S.P. OR J.I.S. END CONNECTIONS.

SEE REVERSE SIDE FOR STANDARD NORMALLY OPEN MODEL

COMPONENTS / ASSEMBLIES TO BE COMPLIANT AND COMPATIBLE WITH EUROPEAN UNION DIRECTIVE 2002/95/EEC (RoHS) REQUIREMENTS

THIS DOCUMENT IS SOLELY THE PROPERTY OF AQ Matic VALVE & CONTROLS COMPANY INC. REPRODUCTION, USE, DISCLOSURE, OR TRANSMISSION OF THIS DOCUMENT OR DETAILS CONTAINED HEREIN, IN PART OR IN WHOLE, IS PROHIBITED WITHOUT THE WRITTEN CONSENT OF AQ Matic ENGINEERING. THIS DOCUMENT AND ANY COPIES SHALL BE RETURNED TO AQ Matic UPON REQUEST.

DO NOT SCALE DRAWING. DIMS. ARE IN INCHES [mm]
INTERPRET DIMS AND TOLERANCES PER ASME Y14.5M -2009 UNLESS OTHERWISE SPECIFIED.
ALL FINISHED MACHINED SURFACES 125 ✓ OR BETTER.
TOLERANCES:
ANGLES: ± 1°
1 PLACE .X: ± .015 [0.38]
2 PLACE .XX: ± .01 [0.3]
3 PLACE .XXX: ± .005 [0.13]

THIRD ANGLE PROJECTION	APPROVALS	DATE	 AQ Matic Valve & Controls Company Inc.
DRAWN			
APPROVED			
CHECKED			

TITLE: CATALOG SHEET, 426 DIAPHRAGM VALVE STANDARD MODEL

SIZE: B DWG NO.: BR1077616 REV: V

SCALE: 1:2 SHEET 2 OF 2