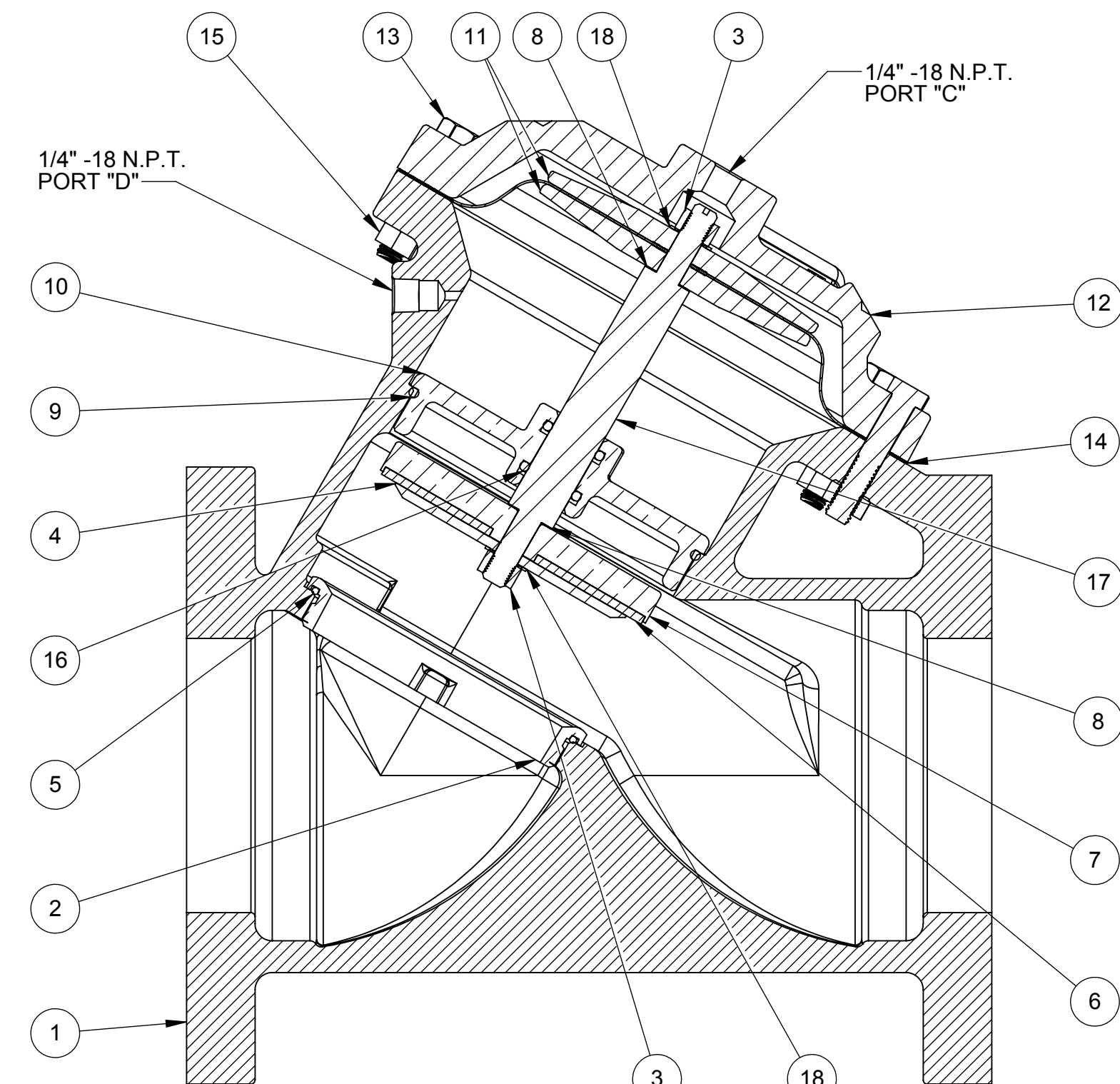
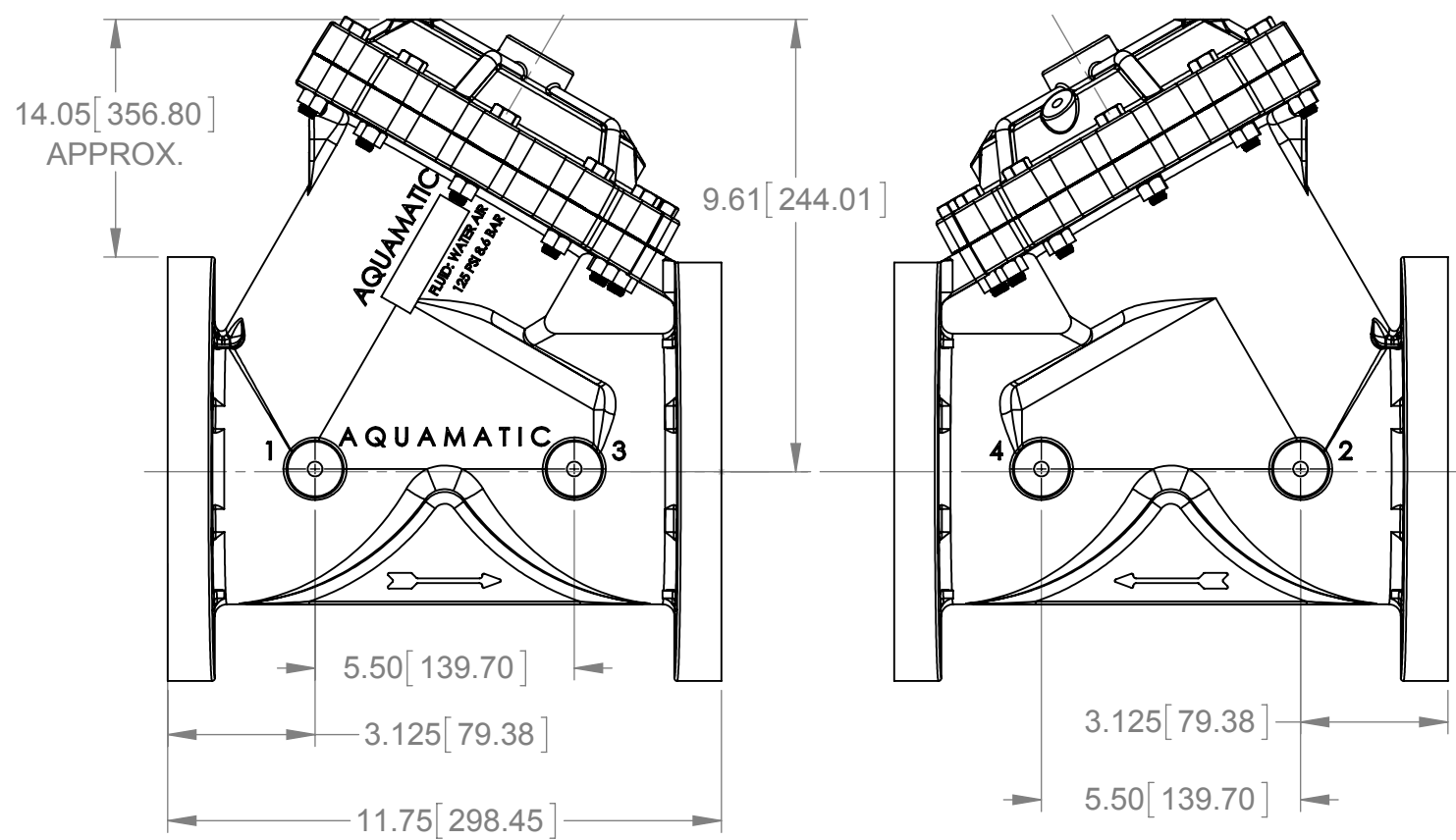


- NOTE:
 1. AMERICAN NATIONAL STANDARD TAPER PIPE THREADS (NPT) PER ANSI B2.1-1968
 2. VALVES AVAILABLE WITH B.S.P. END CONNECTIONS.



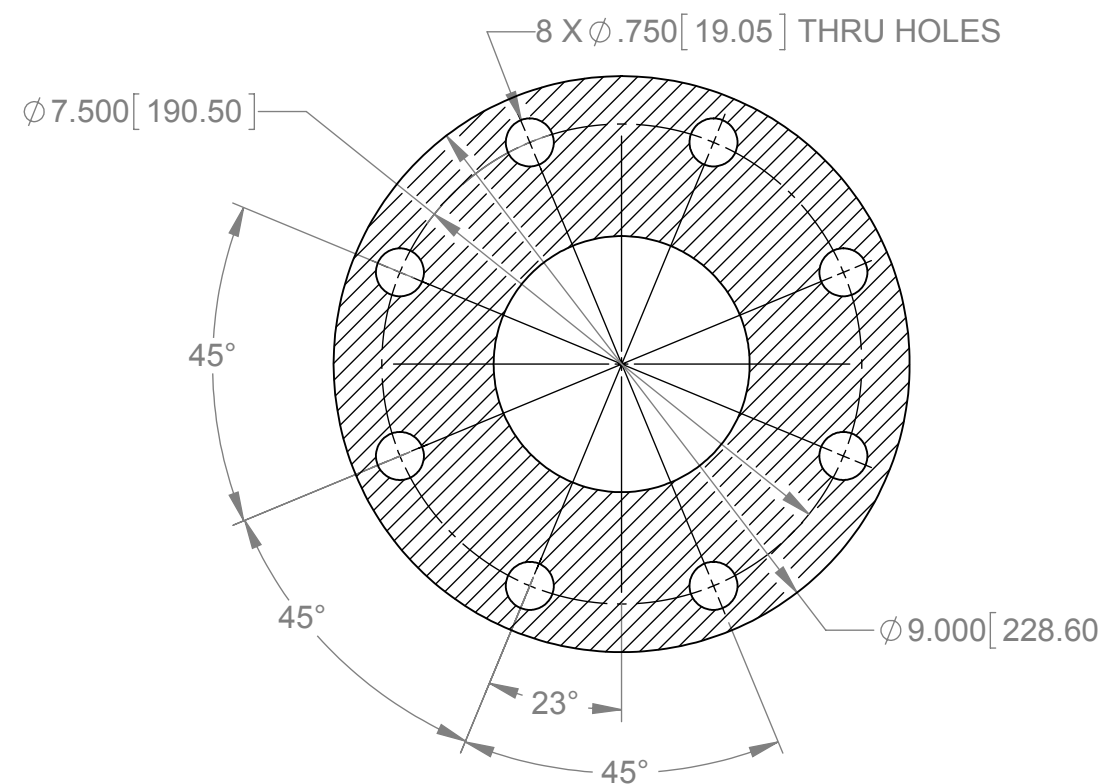
1070045 (V42K-3000-00000) (4" PIPE SIZE)
 NORMALLY OPEN (STANDARD)

ASSEMBLY TOOLS

DESCRIPTION	PART NO.
FOR INSTALLATION & REMOVAL OF SHAFT GUIDE (ITEM #10) (NOT SHOWN)	1-1/4" HEX SOCKET

TORQUE TABLE

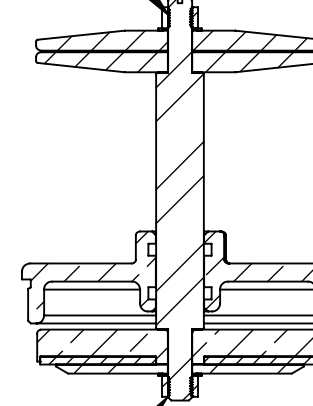
ITEM #	DESCRIPTION	TORQUED TO (+/- 10%)
2	SEAT	400 IN/LBS (33 FT/LBS)
3	UPPER NUT	140 IN/LBS
3	LOWER NUT	215 IN/LBS
10	GUIDE, SHAFT	500 IN/LBS (41.6 FT/LBS)
13 & 15	NUT, & CAP SCREW	140 IN/LBS



AMERICAN FLANGE PER A.S.A. 16.1 CLASS 125
 METRIC FLANGE PER BS 4504, DIN 10 & ISO R 2054

FLANGE STYLE	A	B	C
AMERICAN	9.000	7.500	.750
METRIC	229 MM	180 MM	18 MM

APPLY LOCTITE 565 HERE



APPLY LOCTITE 565 HERE

DO NOT APPLY TO O-RING SEALS

REVISIONS

ZONE	ECN	REV.	DESCRIPTION	DATE	APP'D
	101085	K	REDRAWN IN SOLIDWORKS, FORM NO. NOW DWG NUMBER 1-WAS DWG #1084023	04MAR14	TJM
	101085	L	1-ITEM #17 WAS: 1074578, 2-ITEM #25 WAS: 1074581	27AUG14	TJM
	104610	M	1-ADD'D: ITEM#18-1073591, 2-#27 WAS: 1074430, 3-ADD'D: TORQUE TABLES	11MAY15	TJM
	105687	N	1-ITEM#17 WAS: QTY 1	25FEB16	TJM
	1001	O	AQ Matic update & verified part numbers	17JAN17	MGS

NO.	DESCRIPTION	STD	PART NO.	QTY
1	BODY CAST IRON 2" NPT	*	1074522 (428)	1
2	SEAT(REQ'S ASSY TOOL) BRASS	*	1074585 (428)	1
3	HEX NUT (5/16-24) SS	*	3001990	2
4	DISC PLATE SS	*	43734 (428)	1
5	O-RING	BUNA N	1071697 (ORB-156)	1
		EPDM	1071739 (ORE-156)	
		FKM	1071811 (ORV-156)	
6	DISC	BUNA	1074568	1
		EPDM	1074570	
		FKM	1074573	
		HYCAR	1074571	
7	DISC HOLDER, SS	*	1074587	1
8	GASKET, COPPER	*	1073950 (110)	2
9	O-RING	BUNA N	1071711 (ORB-245)	1
		EPDM	1071759 (ORE-245)	
		FKM	1071832 (ORV-245)	
10	SHAFT GUIDE(REQ'S ASSY TOOL) BRASS	*	1074563 (428)	1
11	DIAPHRAGM PLATE; SS	*	43759 (428)	2
12	CAP- NPT CAST IRON	*	104532 (428)	1
13	HEX SCREW	PLATED STEEL	1072406	11
		BUNA N	1074557	
14	DIAPHRAGM	FKM	1074559	1
		PLATED STEEL	1071657 (NUZ-0011)	
15	HEX NUT	BUNA N	1071702 (ORB-210TC)	2
		EPDM	1242718 (ORE-210TC)	
		FKM	1242394 (ORV-210TC)	
16	O-RING	*	1074579 (428)	1
17	SHAFT	*	1074579 (428)	1
18	LOCKWASHER, 3/8", INTERNAL	*	1074579	2

REPAIR PARTS KITS

DESCRIPTION	PART NO.		
DIAPHRAGM & SEALS KIT CONSISTS OF ITEM NO'S 3(2), 5, 6, 8(2), 9, 14, 16	1070073 (428-RA)	1070086 (428-RAE)	1070098 (428-RAV)
	BUNA N INCLUDES DIAPHRAGM 1074557 (428-FB)	E.P.D.M. INCLUDES DIAPHRAGM 1074557 (428-FB)	FKM INCLUDES DIAPHRAGM 1074559 (428-FV)
	INT. PARTS KIT (NORM. OPEN) CONSISTS OF STANDARD ITEM NO'S 4, 7, 10, 11(2), 17, 18		
SEAT (ITEM NO. 2)	1070123 (428-RF)		
	1074585 (428-MAO)		

SEE REVERSE SIDE FOR CONFIGURATION OPTIONS

THIS DOCUMENT IS SOLELY THE PROPERTY OF AQ Matic VALVE & CONTROLS COMPANY INC. REPRODUCTION, USE, DISCLOSURE, OR TRANSMISSION OF THIS DOCUMENT OR DETAILS CONTAINED HEREIN, IN PART OR IN WHOLE, IS PROHIBITED WITHOUT THE WRITTEN CONSENT OF AQ Matic ENGINEERING. THIS DOCUMENT AND ANY COPIES SHALL BE RETURNED TO AQ Matic UPON REQUEST.

DO NOT SCALE DRAWING. DIMS. ARE IN INCHES [mm]
 INTERPRET DIMS AND TOLERANCES PER ASME Y14.5M-2009 UNLESS OTHERWISE SPECIFIED.
 ALL FINISHED MACHINED SURFACES 125 ✓ OR BETTER.
 TOLERANCES:
 ANGLES: ± 1°
 1 PLACE .X: ± .015 [0.38]
 2 PLACE .XX: ± .01 [0.3]
 3 PLACE .XXX: ± .005 [0.13]

THIRD ANGLE PROJECTION

APPROVALS	DATE
DRAWN SM	05/11
APPROVED	
CHECKED	

COMPONENTS / ASSEMBLIES TO BE COMPLIANT AND COMPATIBLE WITH EUROPEAN UNION DIRECTIVE 2011/65/EEC (RoHS2) & REGULATION (EC)1907/2006 (REACH) REQUIREMENTS

AQ Matic Valve & Controls Company Inc.

TITLE: CATALOG SHEET, 428
 DIAPHRAGM VALVE STANDARD MODEL

SIZE **B** DWG NO. **BR1077618** REV **O**

SCALE 1:4 SHEET 1 OF 2

5

4

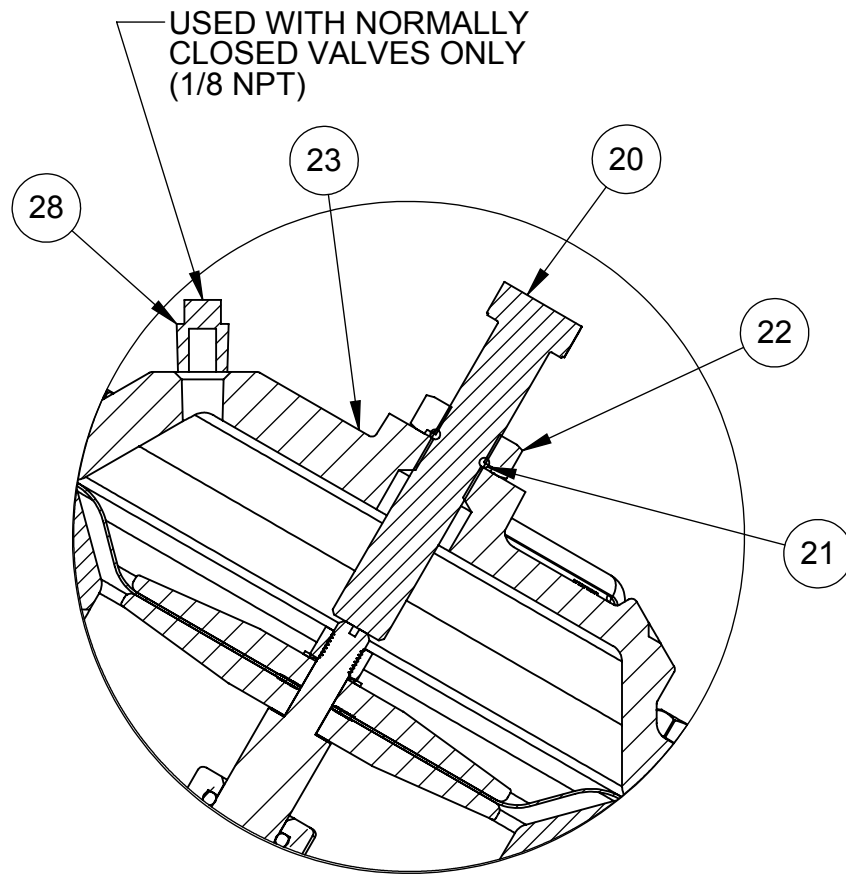
3

2

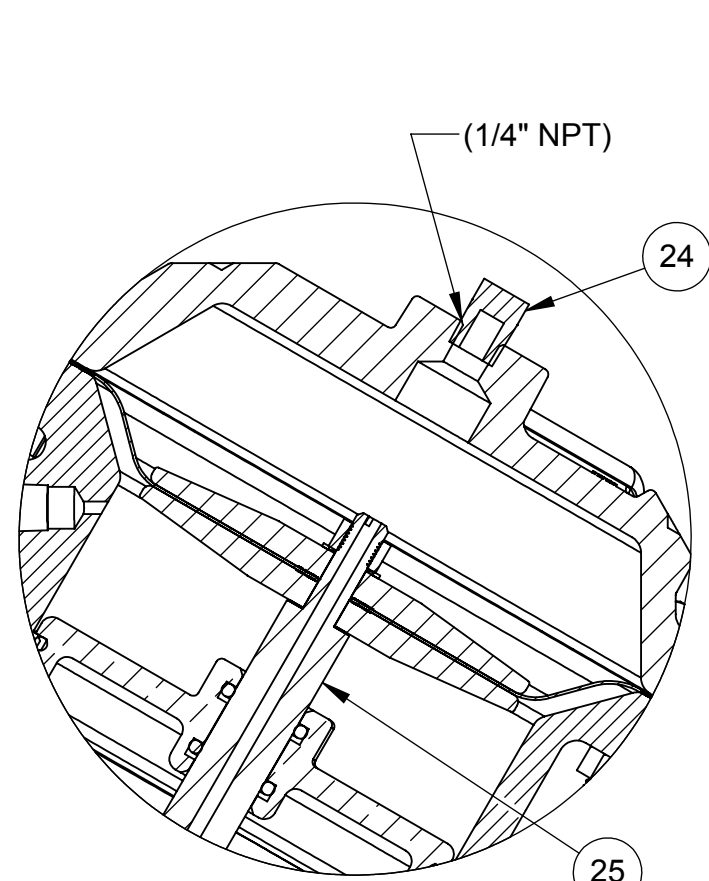
1

REVISIONS

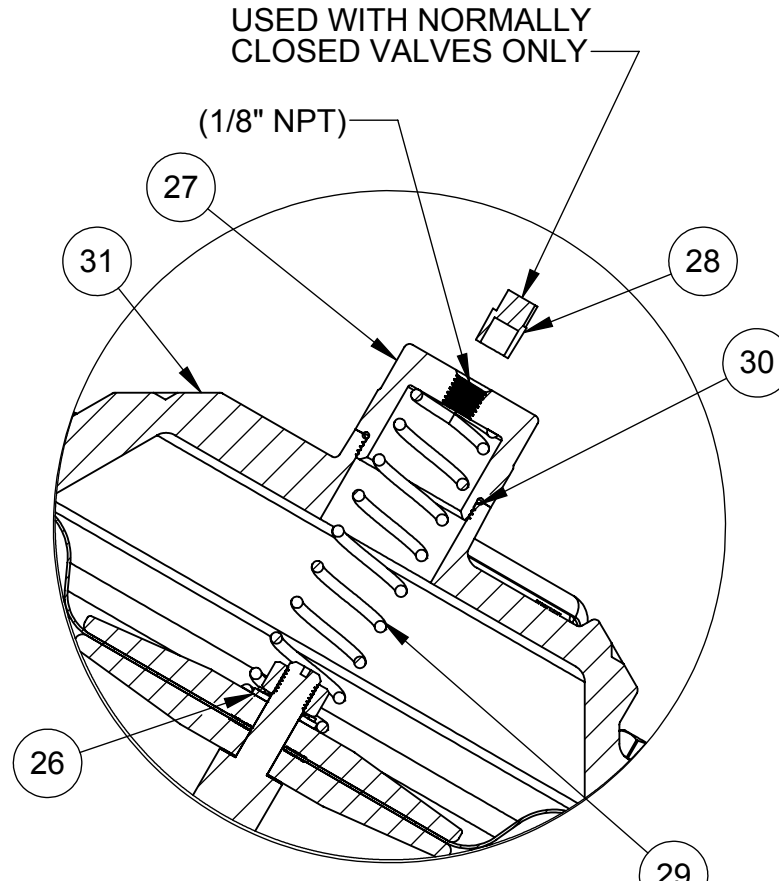
ZONE	ECN	REV.	DESCRIPTION	DATE	APP'D
			SEE SHEET 1 FOR NOTES		



1073151 (V42K-3010-00000)
LIMIT STOP

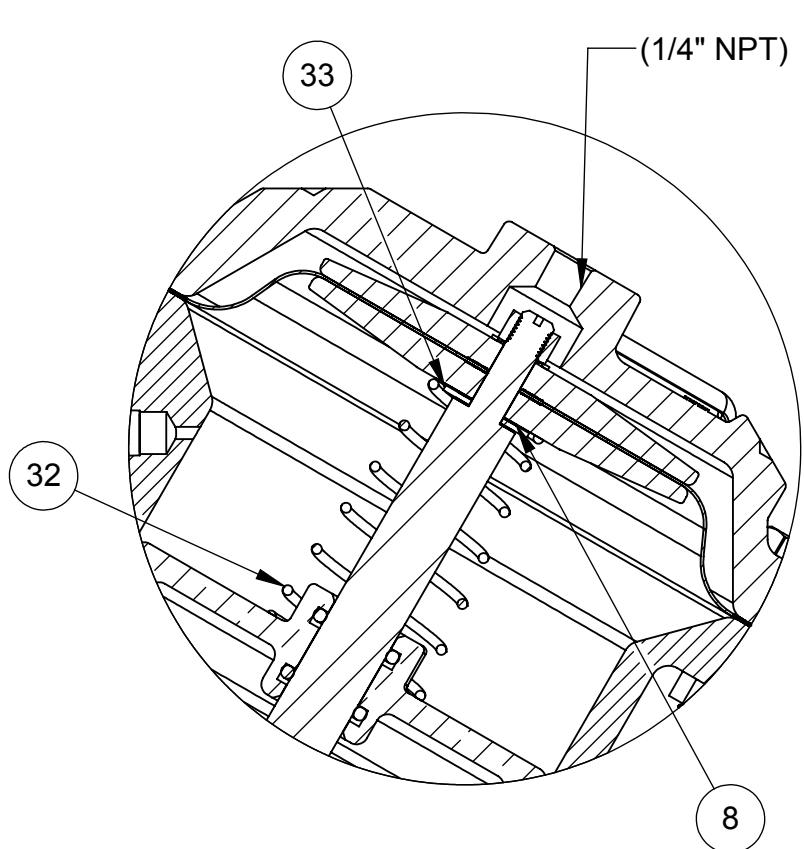


1073158 (V42K-3030-00000)
NORMALLY CLOSED

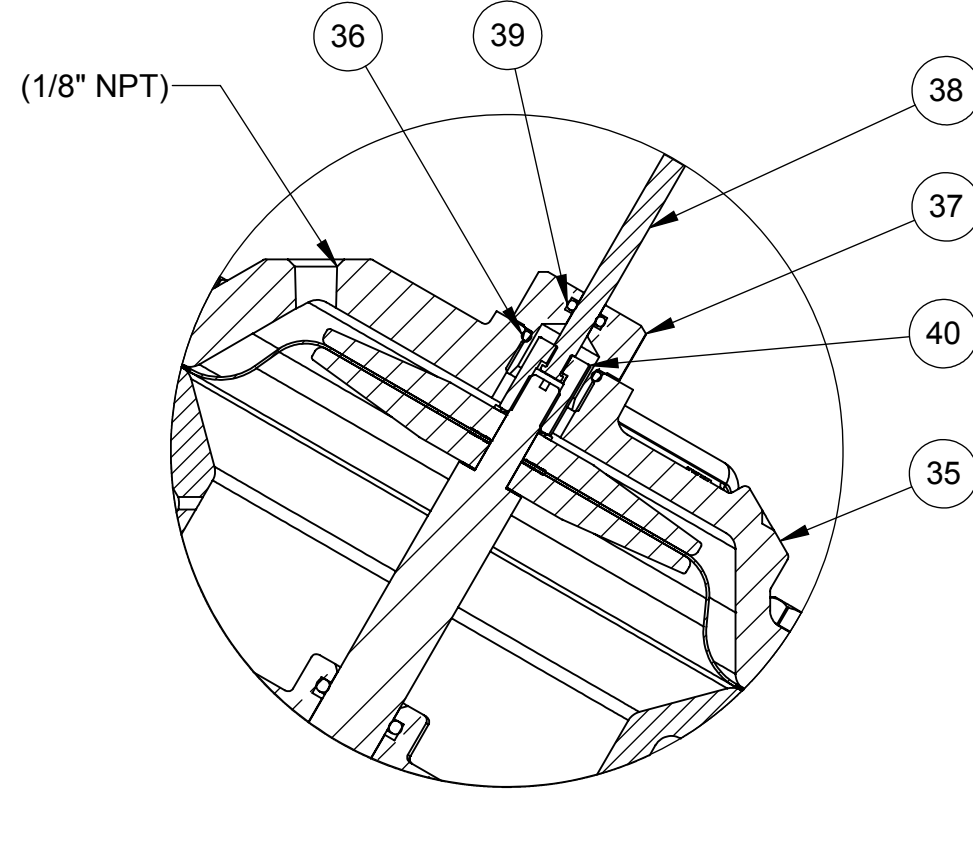


1073148 (V42K-3002-00000)
SPRING ASSIST CLOSED

ITEM NO.	DESCRIPTION	STD	PART NUMBER	QTY.
LIMIT STOP MODEL				
20	SCREW, 5/8-18X3.50 HEX HD,	*	1072365	1
21	O-RING,2-112, BUNA N	*	1071690	1
22	NUT, LIMIT STOP	*	1074434	1
23	CAP, 428,LS, NPT, CI	*	1074542	1
NORMALLY CLOSED MODEL				
24	MALE PIPE PLUGS, PLATED STEEL	*	1071918	1
	MALE PIPE PLUGS, BRASS		1071904	1
25	SHAFT, 428 NORMALLY CLOSED	*	1074582	1
SPRING ASSIST CLOSED MODEL				
26	WASHER, CENTERING, BRASS		1074530	1
27	NUT, SPRG RTNR,426 & 465,SS	*	1074433	1
28	MALE PIPE PLUGS, PLATED STEEL	*	1071917	1
	MALE PIPE PLUGS, BRASS		1071903	1
29	SPRING, COMPRESSION	*	1074607	1
30	O-RING,2-025, BUNA N	*	1071677	1
31	CAP, 428, NPT, CI		1074540	1
SPRING ASSIST OPEN				
8	GASKET, CDA 110 COPPER	*	1073950	1
32	SPRING, COMPRESSION, 428,SAO	*	1074600	1
33	WASHER, BRASS		1074610	1
POSITION INDICATOR MODEL				
35	CAP, 428,CI,NPT,PI		1074549	1
36	O-RING,2-116, BUNA N		1071692	1
37	PI ROD GDE, V42, BRASS		1074121	1
38	SHAFT,428,SS,MACH		1074593	1
39	O-RING,2-108, BUNA N,TFLN CTD		1071688	1
40	NUT, TOP, 428, PI		1074608	1



1073146 (V42K-3001-00000)
SPRING ASSIST OPEN



1073156 (V42K-3021-00000)
POSITION INDICATOR

TORQUE TABLE		
ITEM #	DESCRIPTION	TORQUED TO (+/- 10%)
22	NUT, LIMIT STOP	140 IN/LBS
27	NUT, SPRG RETAINER	140 IN/LBS
37	PI ROD GUIDE	140 IN/LBS
40	NUT, TOP, 428, PI	140 IN/LBS

- NOTE:
1. SPRING ASSIST CLOSED MODEL CANNOT BE COMBINED WITH LIMITED STOP OR POSITION INDICATOR MODELS.
 2. VALVES AVAILABLE WITH B.S.P. END CONNECTIONS.

REPAIR PARTS KITS	
DESCRIPTION	PART NO.
INT. PARTS KIT (LIMITED STOP) CONSISTS OF STANDARD ITEM NO'S 20, 21, 22,	1074583 (428-LS)
INT. PARTS KIT (NORM. CLOSED) CONSISTS OF STANDARD ITEM NO'S 4, 7, 10, 11(2), 18, 25	1070134 (428-RG)
INT. PARTS KIT (SPRING ASSIST CLOSED) CONSISTS OF STANDARD ITEM NO'S 28, 29, 30	1074602 (428-SC)
INT. PARTS KIT (SPRING ASSIST OPEN) CONSISTS OF STANDARD ITEM NO'S 8, 32, 33	1074604 (428-SO)
INT. PARTS KIT (POSITION INDICATOR) CONSISTS OF STANDARD ITEM NO'S 35 THRU 39	1074591 (428-PI)

CONVERSION KITS	
DESCRIPTION	PART NO.
CONVERSION KIT (LIMITED STOP) CONSISTS OF STANDARD ITEM NO'S 20, 21, 22, 23	1074584 (428-LSC)
CONVERSION KIT (SPRING ASSIST CLOSED) CONSISTS OF STANDARD ITEM NO'S 26 THRU 31	1074603 (428-SCC)
CONVERSION KIT (SPRING ASSIST OPEN) CONSISTS OF STANDARD ITEM NO'S 8, 32, 33	1074606 (428-SOC)
CONVERSION KIT (POSITION INDICATOR) CONSISTS OF STANDARD ITEM NO'S 34 THRU 39	1074592 (428-PIC)

SEE REVERSE SIDE FOR
STANDARD NORMALLY OPEN MODEL

COMPONENTS / ASSEMBLIES TO BE COMPLIANT AND COMPATIBLE WITH EUROPEAN UNION DIRECTIVE 2011/65/EEC (RoHS2) & REGULATION (EC)1907/2006 (REACH) REQUIREMENTS

THIS DOCUMENT IS SOLELY THE PROPERTY OF AQ Matic VALVE & CONTROLS COMPANY INC. REPRODUCTION, USE, DISCLOSURE, OR TRANSMISSION OF THIS DOCUMENT OR DETAILS CONTAINED HEREIN, IN PART OR IN WHOLE, IS PROHIBITED WITHOUT THE WRITTEN CONSENT OF AQ Matic ENGINEERING. THIS DOCUMENT AND ANY COPIES SHALL BE RETURNED TO AQ Matic UPON REQUEST.

DO NOT SCALE DRAWING. DIMS. ARE IN INCHES [mm]
 INTERPRET DIMS AND TOLERANCES PER ASME Y14.5M -2009
 UNLESS OTHERWISE SPECIFIED:
 ALL FINISHED MACHINED SURFACES 125 √ OR BETTER.
 TOLERANCES:
 ANGLES: ± 1°
 1 PLACE .X: ± .015 [0.38]
 2 PLACE .XX: ± .01 [0.3]
 3 PLACE .XXX: ± .005 [0.13]

THIRD ANGLE PROJECTION	APPROVALS	DATE	 AQ Matic Valve & Controls Company Inc.
	DRAWN	05/11	
	APPROVED		
	CHECKED		

TITLE: CATALOG SHEET, 428
DIAPHRAGM VALVE STANDARD MODEL

SIZE: B DWG NO.: BR1077618 REV: O

SCALE: 1:4 SHEET 2 OF 2