

5

4

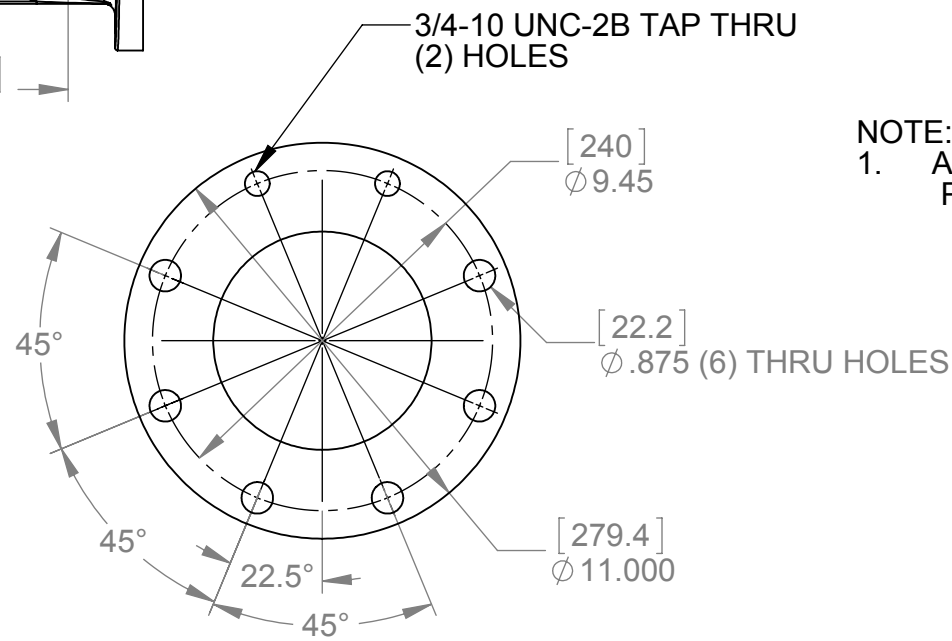
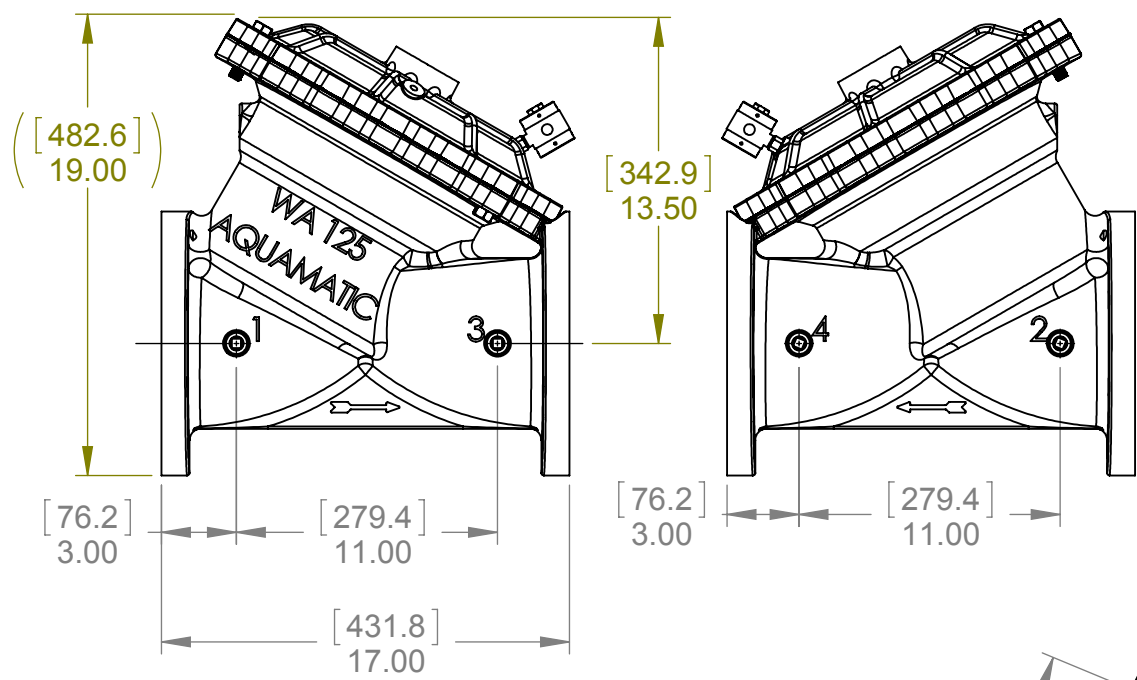
3

2

1

REPAIR PARTS KITS		
DESCRIPTION	PART NO.	
DIAPHRAGM & SEALS KIT CONSISTS OF ITEM NO'S 2, 5(2), 8, 10(2), 11, 14, 19, 23	BUNA N INCLUDES DIAPHRAGM 1074622 (429-FB)	FKM INCLUDES DIAPHRAGM 1074623 (429-FV)
	1070074 (429-RA) 1070099 (429-RAV)	
INT. PARTS KIT (NORM. OPEN) CONSISTS OF STANDARD ITEM NO'S 4, (12)6, 7 9, 12, 16(2), 18, 22	1074653 (429-RF)	
SEAT ITEM NO. 3, 4(8)	1074640 (429-MO)	

REVISIONS					
ZONE	ECN	REV.	DESCRIPTION	DATE	APP'D
	101517	M	REDRAWN IN SOLID WORKS, FORM # IS NOW DWG #	1-29-13	NE
CHG-1 (PG-1) CHG-2 (PG-2)	102769	N	1-ADD'D: ITEM#23, 2-WAS: 1/8 NPT	15NOV13	TJM
CHG-1 (PG-1)	104638	P	1-WAS: ITEM#12- 1071659, 2-UPDATED TITEL BLOCKS	20MAY15	TJM
	1001	Q	AQ Matic update & verified part numbers	17JAN17	MGS

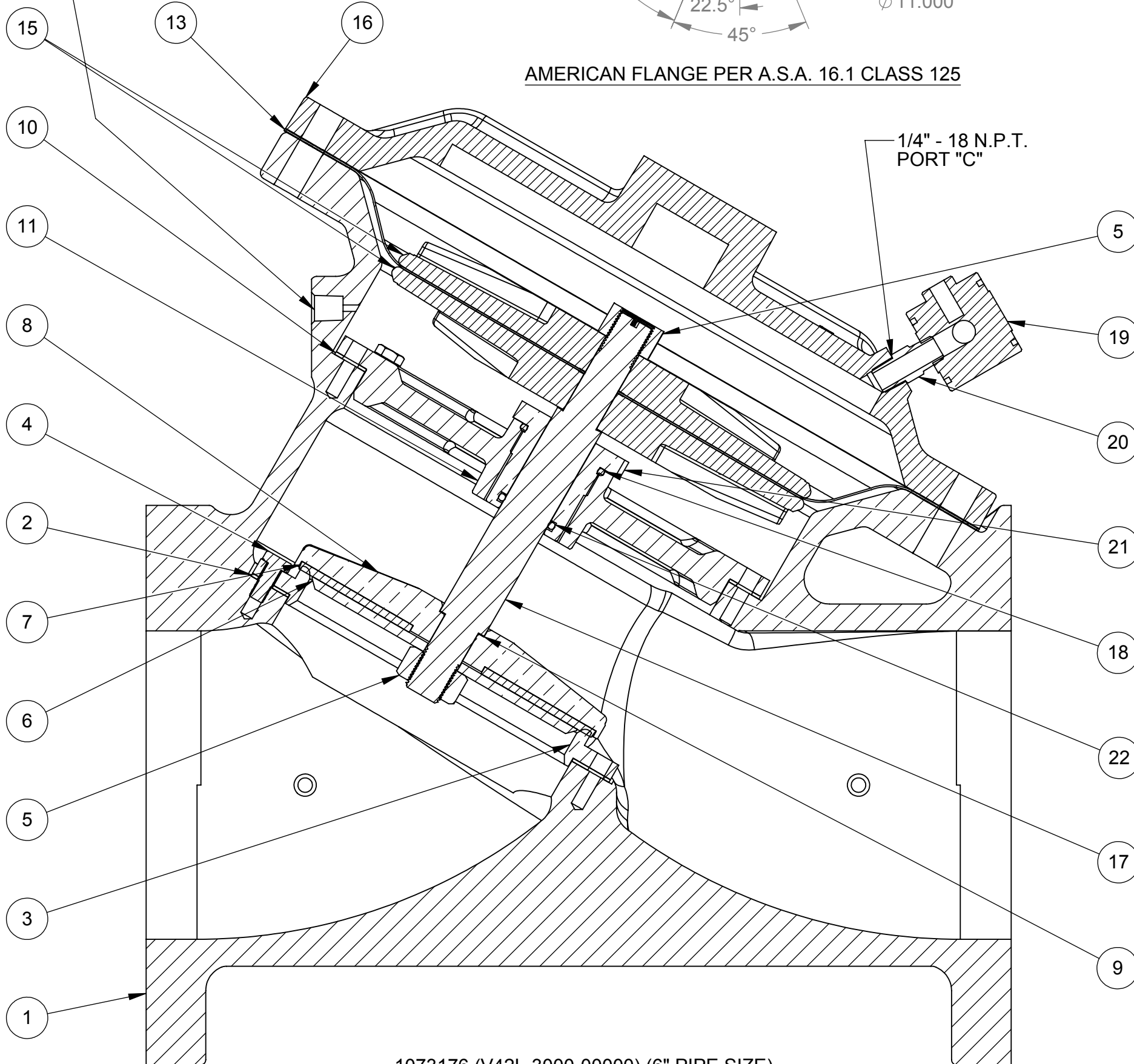


NOTE:
1. AMERICAN NATIONAL STANDARD TAPER PIPE THREADS (NPT) PER ANSI B2.1 - 1968

1/4" - 18 N.P.T. PORT "D"

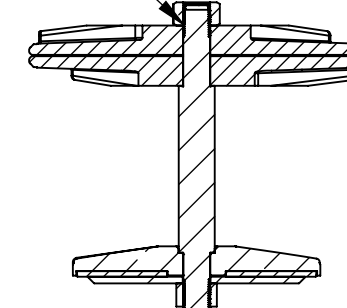
1/4" - 18 N.P.T. PORT "C"

AMERICAN FLANGE PER A.S.A. 16.1 CLASS 125



NO.	DESCRIPTION	STD	PART NO.	QTY
1	VALVE BODY, 429	CAST IRON	1074613	1
2	GASKET, 429, SEAT	BUNA N	1074642	1
		FKM	1074643	
3	SEAT; BRASS (REQ'S ASSY TOOL)		1074640	1
4	HEX NUT (5/16-18)	SS	1072355	20
5	NUT, 3/4 - 16	SS	3001991	2
6	PLATE, DISC, 429	BRASS	1074634	1
7	DISC, 429	FKM	1074633	1
		HYCAR	1074632	
8	DISC HOLDER	BRASS	1074627	1
9	GASKET, COPPER		1073952 (110-CDA)	2
10	GASKET, CENTERING PLATE	BUNA N	1074644	1
		FKM	1074645	
11	SHAFT GUIDE (REQ'S ASSY TOOL)		1074625	1
12	NUT, 1/2 - 13, PLATED		16568-02	16
13	DIAPHRAGM, 429	BUNA N	1074622	1
		FKM	1074623	
14	HEX SCREW, HD, CAP		1072410	6
15	PLATE, DIAPHRAGM, 429	BRASS	1074620	2
16	CAP, 429		1074615	1
17	SHAFT, 429, NO		1074636	1
18	O-RING	BUNA N	1071703 (ORB-223TC)	2
		FKM	1071820 (ORV-223TC)	
19	HUMPHREY VALVE, NC	BRASS	1074661	1
20	FITTING, NIPPLE 1/4MNPT x 1.38		1081648	1
21	GUIDE, SHAFT, 429	BRASS	1074646	1
22	O-RING	BUNA N	1242721	1
23	MALE PIPE PLUG, 1/4 NPT		1071918	4

APPLY LOCTITE 565 HERE



APPLY LOCTITE 565 HERE

DO NOT APPLY TO O-RING SEALS

SEE REVERSE SIDE FOR CONFIGURATION OPTIONS

COMPONENTS / ASSEMBLIES TO BE COMPLIANT AND COMPATIBLE WITH EUROPEAN UNION DIRECTIVE 2011/65/EEC (RoHS2) & REGULATION (EC)1907/2006 (REACH) REQUIREMENTS

THIS DOCUMENT IS SOLELY THE PROPERTY OF AQ Matic VALVE & CONTROLS COMPANY INC. REPRODUCTION, USE, DISCLOSURE, OR TRANSMISSION OF THIS DOCUMENT OR DETAILS CONTAINED HEREIN, IN PART OR IN WHOLE, IS PROHIBITED WITHOUT THE WRITTEN CONSENT OF AQ Matic ENGINEERING. THIS DOCUMENT AND ANY COPIES SHALL BE RETURNED TO AQ Matic UPON REQUEST.

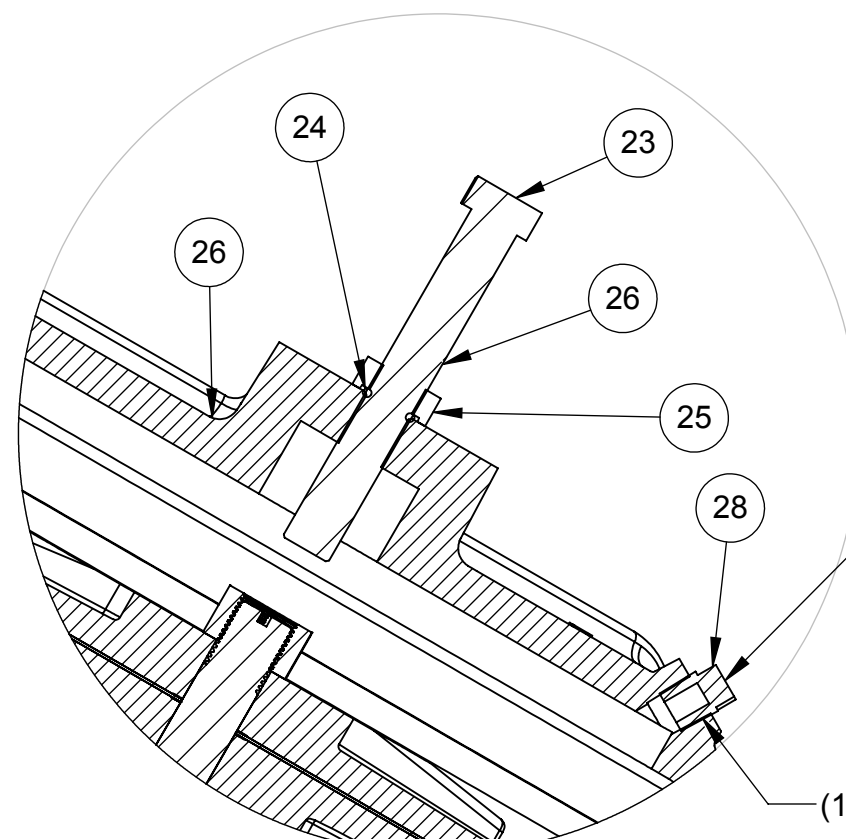
DO NOT SCALE DRAWING. DIMS. ARE IN INCHES [mm] INTERPRET DIMS AND TOLERANCES PER ASME Y14.5M - 2009 UNLESS OTHERWISE SPECIFIED. ALL FINISHED MACHINED SURFACES 125 √ OR BETTER. TOLERANCES:
 ANGLES: ± 1°
 1 PLACE .X: ± .015 [0.38]
 2 PLACE .XX: ± .01 [0.3]
 3 PLACE .XXX: ± .005 [0.13]

THIRD ANGLE PROJECTION	APPROVALS	DATE	 AQ Matic Valve & Controls Company Inc.
	NE	1-21-13	

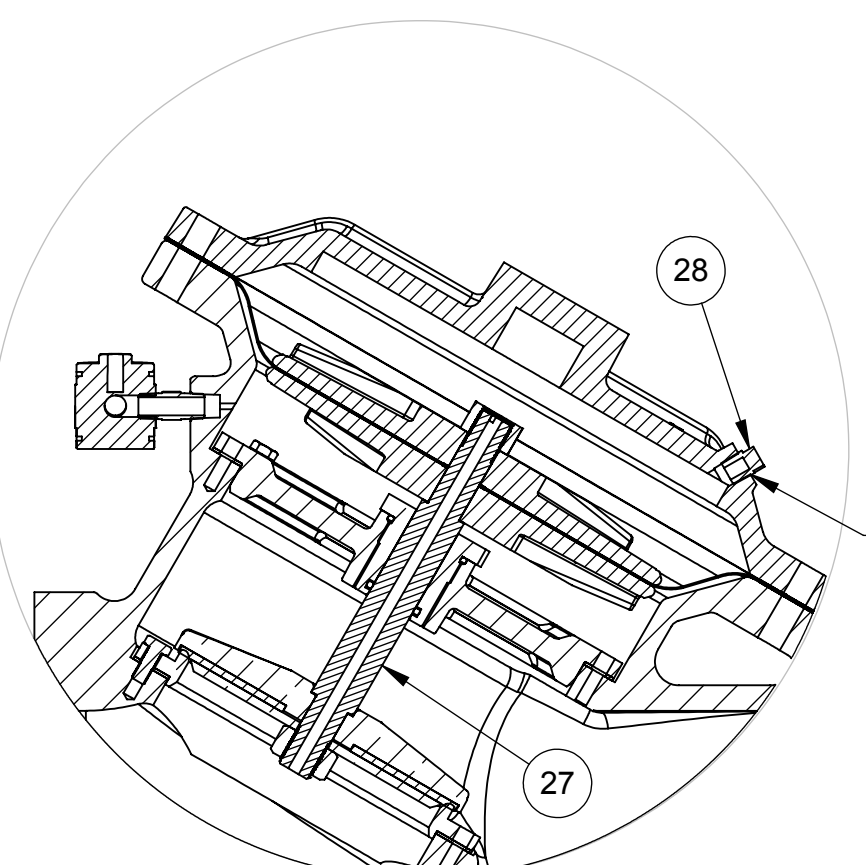
TITLE: CATALOG SHEET, 429 DIAPHRAGM VALVE STANDARD MODEL

SIZE: B DWG NO.: BR1077619 REV: Q

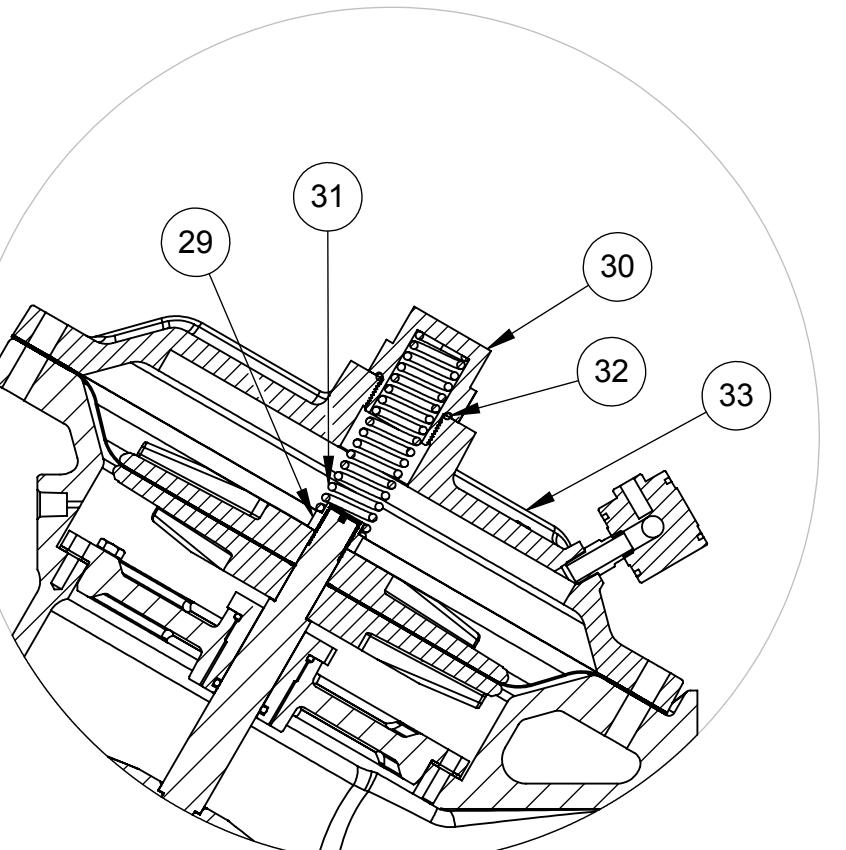
SCALE: 1:4 SHEET 1 OF 2



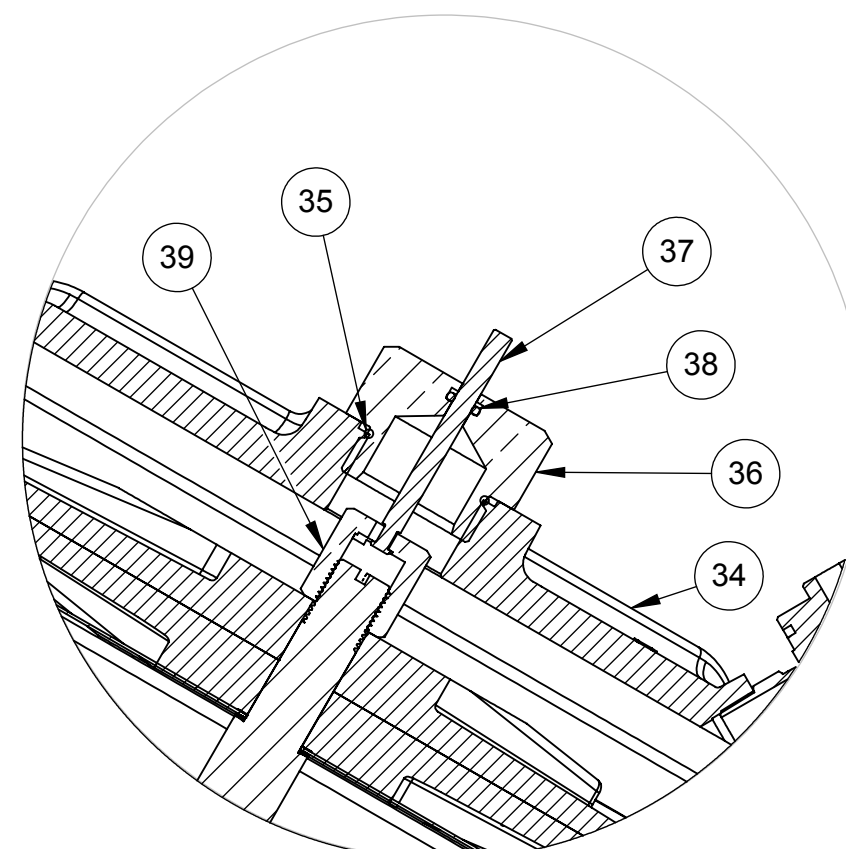
1073184 (V42L-3010-00000)
LIMIT STOP



1073187 (V42L-3030-00000)
NORMALLY CLOSED



4500139 (V42L-3002-00000)
SPRING ASSIST CLOSED

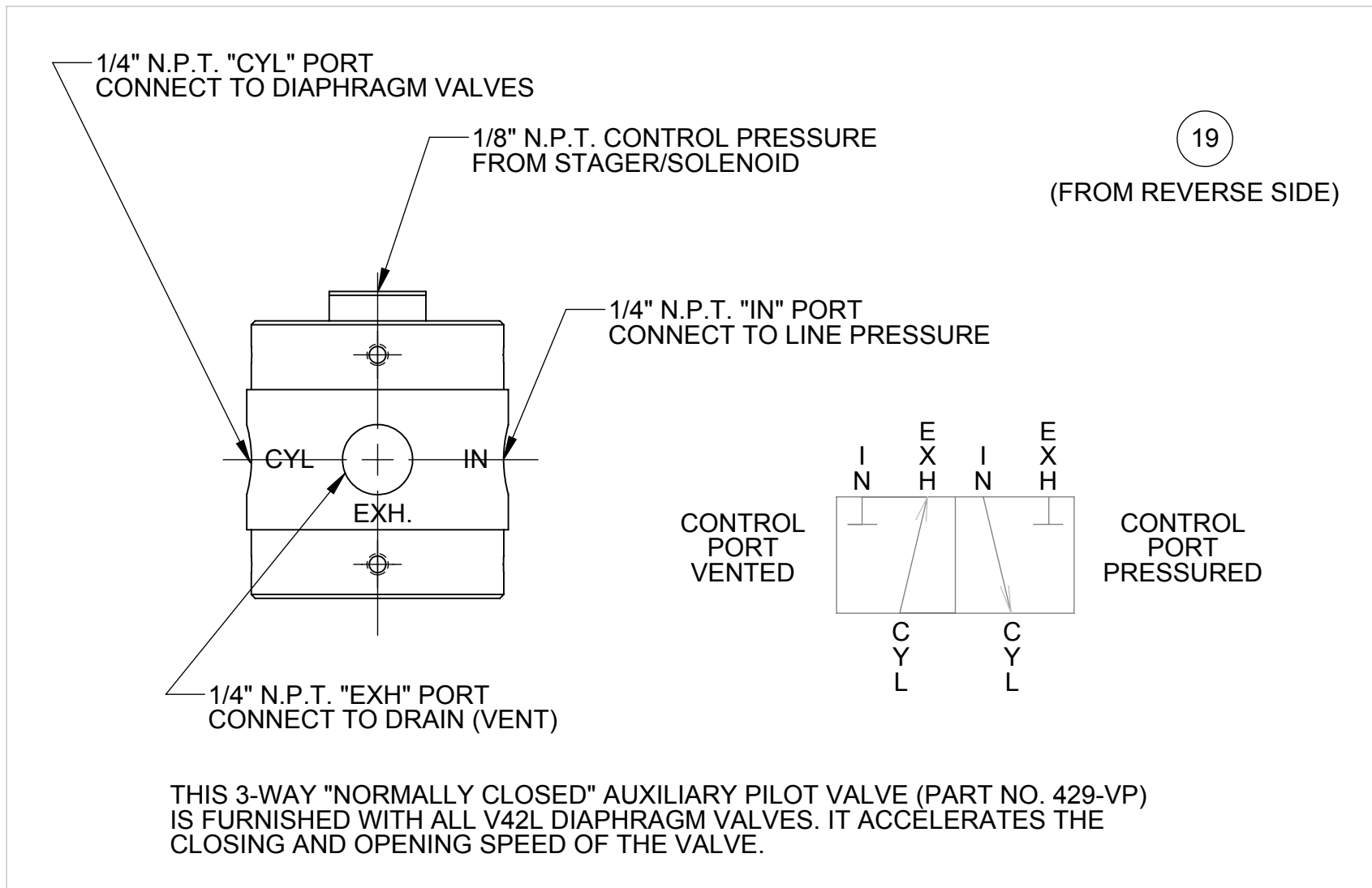


1082048 (V42L-3020-00000)
POSITION INDICATOR

REPAIR PARTS KITS	
DESCRIPTION	PARTS NO.
INT. PARTS KIT (LIMIT STOP) CONSISTS OF STANDARD ITEM NO'S 23, 24, 25	1074638 (429-LS)
INT. PARTS KIT (NORM. CLOSED) CONSISTS OF STANDARD ITEM NO'S 4(12), 6, 7, 9, 12, 15(2), 21, 27	1074654 (429-RG)
INT. PARTS KIT (SPRING ASSIST CLOSED) CONSISTS OF STANDARD ITEM NO'S 29, 31, 32	1074655 (429-SC)
INT. PARTS KIT (POSITION INDICATOR) CONSISTS OF STANDARD ITEM NO'S 35 THRU 39	1074647 (429-PI)

REVISIONS					
ZONE	ECN	REV.	DESCRIPTION	DATE	APP'D
SEE SHEET 1 FOR LIST OF CHANGES					

ITEM NO.	DESCRIPTION	STD	PART NUMBER	QTY.
LIMIT STOP MODEL				
23	SCREW, HEX HD CAP, 5/8-18X4.5"	*	1074660	1
24	O-RING, 2-112, BUNA N	*	1071690	1
25	NUT, LIMIT STOP	*	1074434	1
26	CAP, 429	*	1074617	1
NORMALLY CLOSED MODEL				
27	SHAFT, 429, NC	*	1074637	1
28	MALE PIPE PLUG, 1/4 NPT	*	1071918	1
SPRING ASSIST CLOSED MODEL				
29	NUT, SPRING RETAINER	*	1074663	1
30	NUT, SPRING RETAINER, 429, BRASS	*	1074659	1
31	SPRING, COMPRESSION	*	1074657	1
32	O-RING, 2-222, BUNA N	*	1079839	1
33	CAP, 429	*	1074616	1
POSITION INDICATOR MODEL				
34	CAP, 429	*	1074618	1
35	O-RING, 2-128, BUNA N	*	1071694	1
36	GUIDE, SHAFT, 429, BRASS	*	1074624	1
37	SHAFT, 429, SS, MACH	*	1074649	1
38	O-RING, 2-106, BUNA N, TFLN CTD	*	1071688	1
39	NUT, 429, BRASS	*	1074658	1



THIS 3-WAY "NORMALLY CLOSED" AUXILIARY PILOT VALVE (PART NO. 429-VP) IS FURNISHED WITH ALL V42L DIAPHRAGM VALVES. IT ACCELERATES THE CLOSING AND OPENING SPEED OF THE VALVE.

- NOTE
1. SPRING ASSIST CLOSED MODEL CANNOT BE COMBINED WITH LIMIT STOP OR POSITION INDICATOR.
 2. SPRING ASSIST OPEN MODEL AVAILABLE.

SEE REVERSE SIDE FOR STANDARD MODEL NORMALLY OPEN MODEL

CONVERSION KITS	
DESCRIPTION	PART NO.
CONVERSION KIT (LIMIT STOP) CONSISTS OF STANDARD ITEM NO'S 23 THRU 26	1074639 (429-LSC)
CONVERSION KIT (SPRING ASSIST CLOSED) CONSISTS OF STANDARD ITEM NO'S 29 THRU 33	1074656 (429-SCC)
CONVERSION KIT (POSITION INDICATOR) CONSISTS OF STANDARD ITEM NO'S 34 THRU 39	1074648 (429-PIC)

COMPONENTS / ASSEMBLIES TO BE COMPLIANT AND COMPATIBLE WITH EUROPEAN UNION DIRECTIVE 2011/65/EEC (RoHS2) & REGULATION (EC)1907/2006 (REACH) REQUIREMENTS

THIS DOCUMENT IS SOLELY THE PROPERTY OF AQ Matic VALVE & CONTROLS COMPANY INC. REPRODUCTION USE DISCLOSURE OR TRANSMISSION OF THIS DOCUMENT OR DETAILS CONTAINED HEREIN, IN PART OR IN WHOLE, IS PROHIBITED WITHOUT THE WRITTEN CONSENT OF AQ Matic ENGINEERING. THIS DOCUMENT AND ANY COPIES SHALL BE RETURNED TO AQ Matic UPON REQUEST.

DO NOT SCALE DRAWING. DIMS. ARE IN INCHES [mm]
INTERPRET DIMS AND TOLERANCES PER ASME Y14.5M-2009 UNLESS OTHERWISE SPECIFIED:
ALL FINISHED MACHINED SURFACES 125 √ OR BETTER.
TOLERANCES:
ANGLES: ± 1°
1 PLACE .X: ± .015 [0.38]
2 PLACE .XX: ± .01 [0.3]
3 PLACE .XXX: ± .005 [0.13]

THIRD ANGLE PROJECTION	APPROVALS	DATE
	NE	1-21-13
	CHECKED	

AQ Matic Valve & Controls Company Inc.

TITLE: CATALOG SHEET, 429
DIAPHRAGM VALVE STANDARD MODEL

SIZE: **B** DWG NO.: **BR1077619** REV: **Q**

SCALE: 1:4 SHEET 2 OF 2