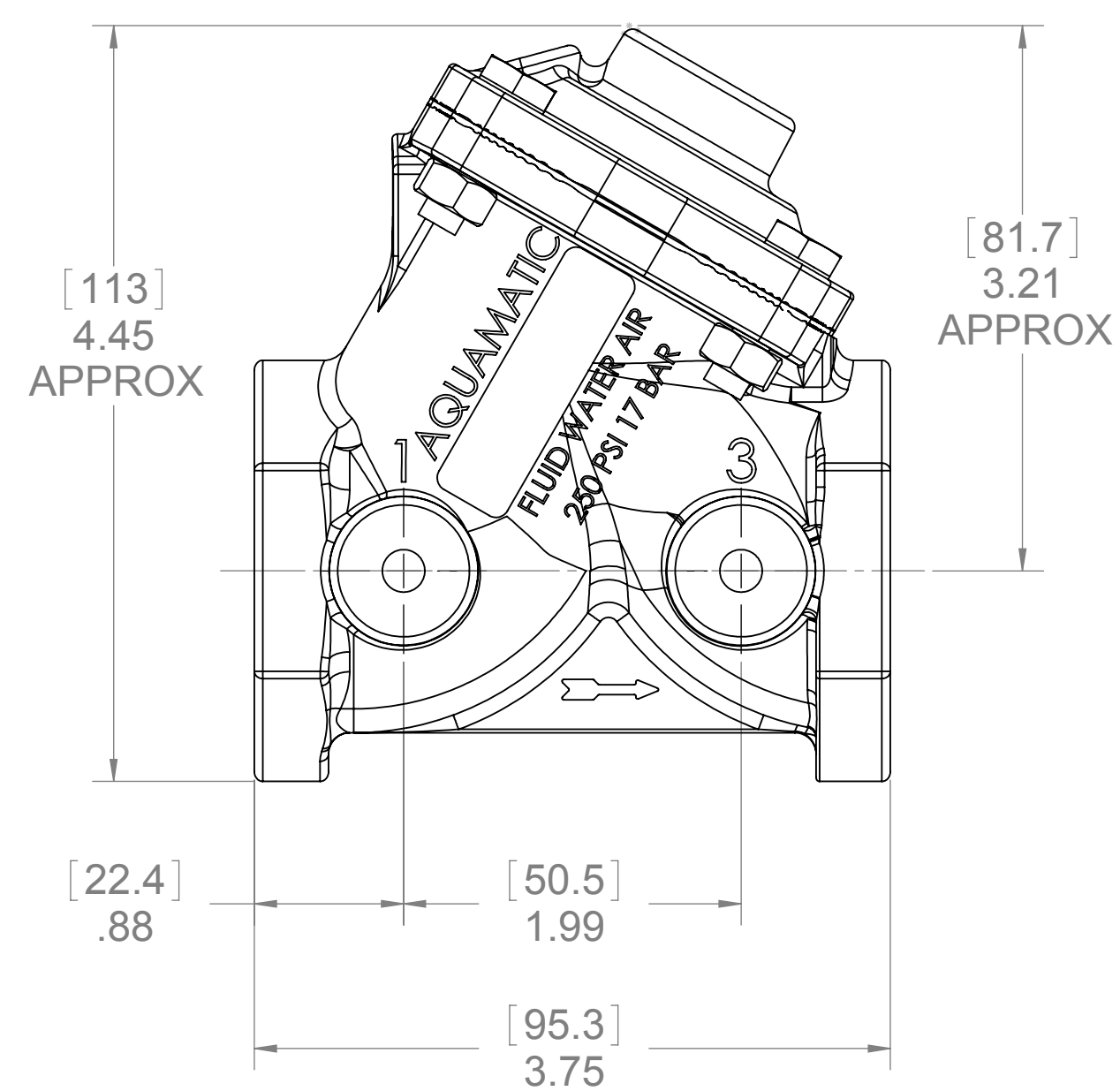


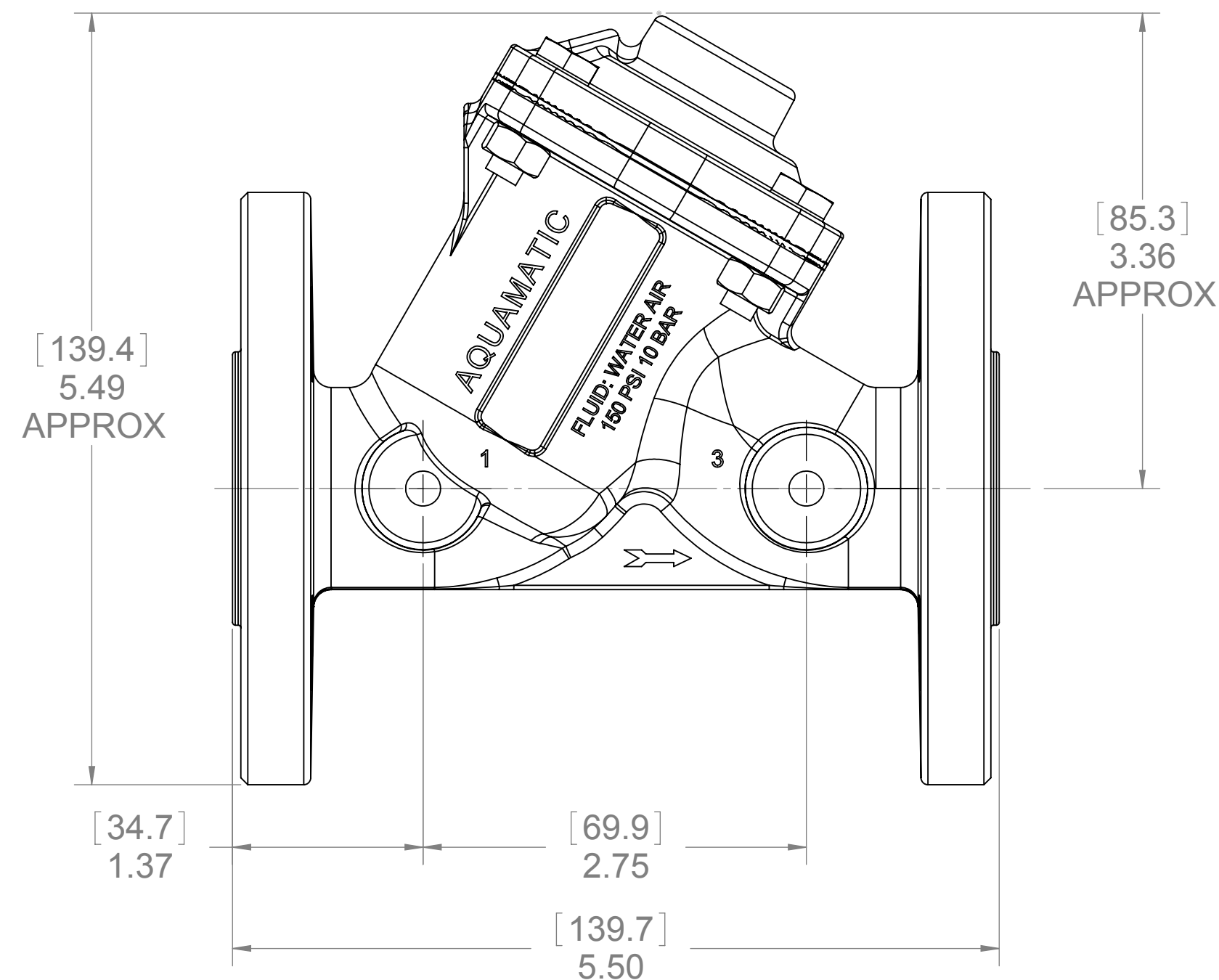
REVISIONS					
ZONE	ECN	REV.	DESCRIPTION	DATE	APP'D
	100100	E	REDRAWN IN SOLIDWORKS	1-4-12	NBE
	100886	F	1: ADD DETAIL VIEW OF DISC PLATE ASSEMBLY	7-12-12	TJM
	1001	H	AQ Matic update & verified part numbers	17Jan17	MGS

THREADED



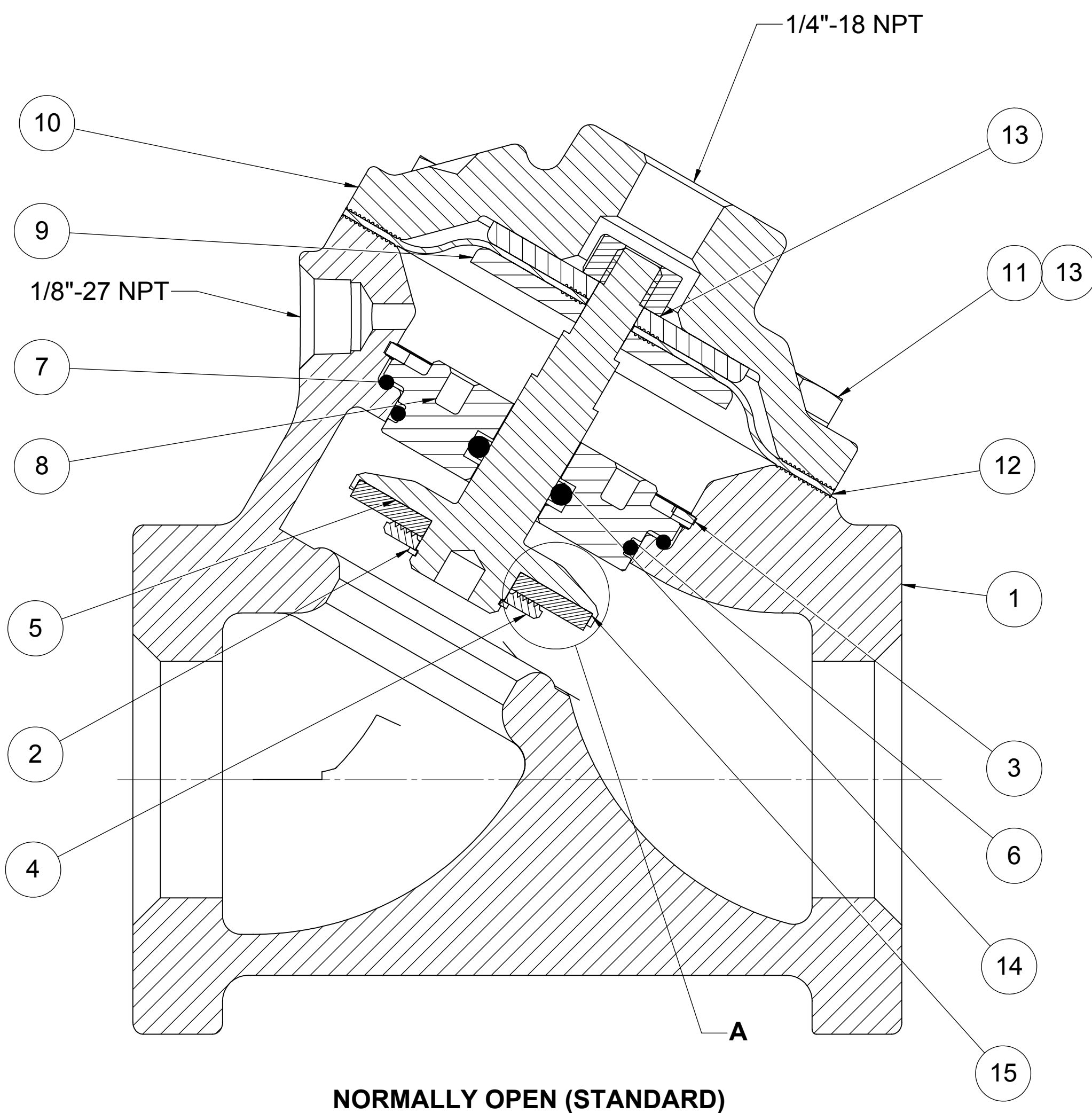
MODEL: V46C-0200-03000 (THREADED)

FLANGED

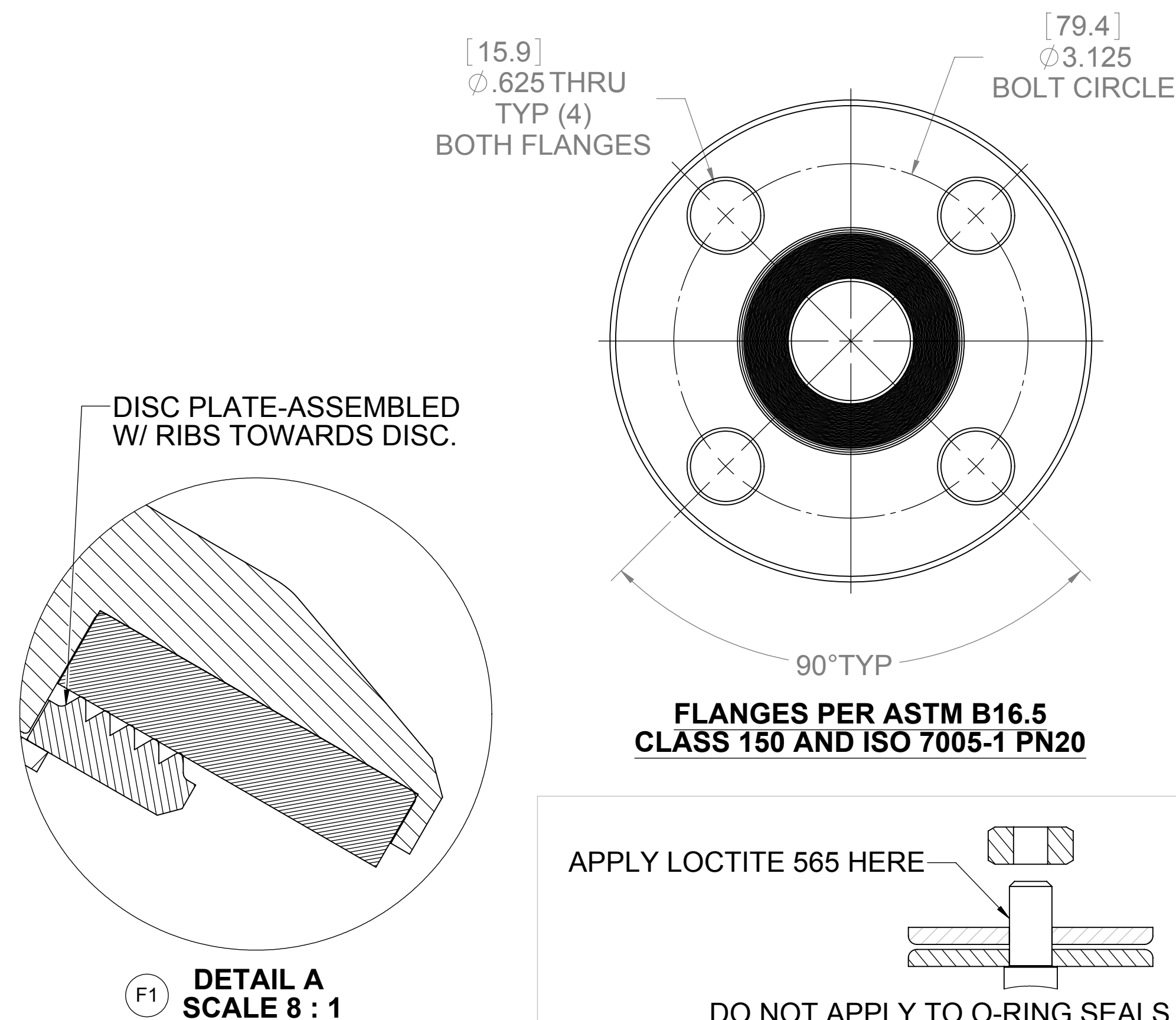


MODEL: V46C-3200-03000 (FLANGED)

ITEM NO.	DESCRIPTION	STD	PART NUMBER	QTY.
1	BODY, 461 THREADED	NPT	CAST CF8M	1
		BSPT	(316 SS)	
	BODY, FLANGE, 461, SS, 1.00, ASTM	NPT		
2	RING, RETAINING, SPIRAL		316 SS	1
3	RING, RETAINING, SPIRAL		316 SS	1
4	PLATE, DISC, 461, SS		316 SS	1
5	DISC		BUNA N	1
			E.P.D.M.	1
			FKM	1
6	O-RING, 2-026		BUNA N	1
			E.P.D.M.	1
			FKM	1
7	O-RING, 2-029		BUNA N	1
			E.P.D.M.	1
			FKM	1
8	SHAFT GUIDE, SS		316 SS	1
9	PLATE, DIAPHRAGM, 461		316 SS	2
10	CAP, NPT TAP TOP, CSS		CAST CF8M	1
11	SCREW, HEX, 1/4-20 UNC 2-A		316 SS	4
12	DIAPHRAGM, 421		BUNA N	1
			FKM	1
13	NUT, HEX, 1/4"-20, SS		316 SS	5
14	O-RING, 2-110, TFLN CTD		BUNA N	1
			E.P.D.M.	1
			FKM	1
15	SHAFT, 461 NORMALLY OPEN		CAST CF8M	1



NORMALLY OPEN (STANDARD)



- NOTES:**
- AMERICAN NATIONAL STANDARD TAPER PIPE THREADS (NPT) PER ANSI B1.20.1.
 - VALVES AVAILABLE IN BSPT CONFIGURATION. (SEE ITEM 1)

SEE SHEET 2 FOR CONFIGURATION OPTIONS

REPAIR PARTS KITS			
DESCRIPTION	PART NO.		
DIAPHRAGM & SEALS KIT CONSISTS OF ITEM NO'S 2, 3, 5, 6, 7, 12, 13, 14, 17 & 26 & SILICONE PACK PART NO. BR1071485	BR1078620	BR1078621	BR1078622
	BUNA N INCLUDES DIAPHRAGM BR1074119	E.P.D.M. INCLUDES DIAPHRAGM BR1074119	FKM INCLUDES DIAPHRAGM BR1074120
INT. PARTS KIT (NORM. OPEN) CONSISTS OF STANDARD ITEM NO'S 4, 8, 9(2), 15	BR1078623		

THIS DOCUMENT IS SOLELY THE PROPERTY OF AQ Matic VALVE & CONTROLS COMPANY INC. REPRODUCTION, USE, DISCLOSURE, OR TRANSMISSION OF THIS DOCUMENT OR DETAILS CONTAINED HEREIN, IN PART OR IN WHOLE, IS PROHIBITED WITHOUT THE WRITTEN CONSENT OF AQ Matic ENGINEERING. THIS DOCUMENT AND ANY COPIES SHALL BE RETURNED TO AQ Matic UPON REQUEST.

DO NOT SCALE DRAWING DIMS ARE IN INCHES (mm) INTERPRET DIMS AND TOLERANCES PER ASME Y14.5M-2009 UNLESS OTHERWISE SPECIFIED. ALL FINISHED MACHINED SURFACES 125 √ OR BETTER. TOLERANCES: ANGLES: 1° 1 PLACE .X ± .015 (0.38) 2 PLACE .XX ± .01 (0.3) 3 PLACE .XXX ± .005 (0.13)

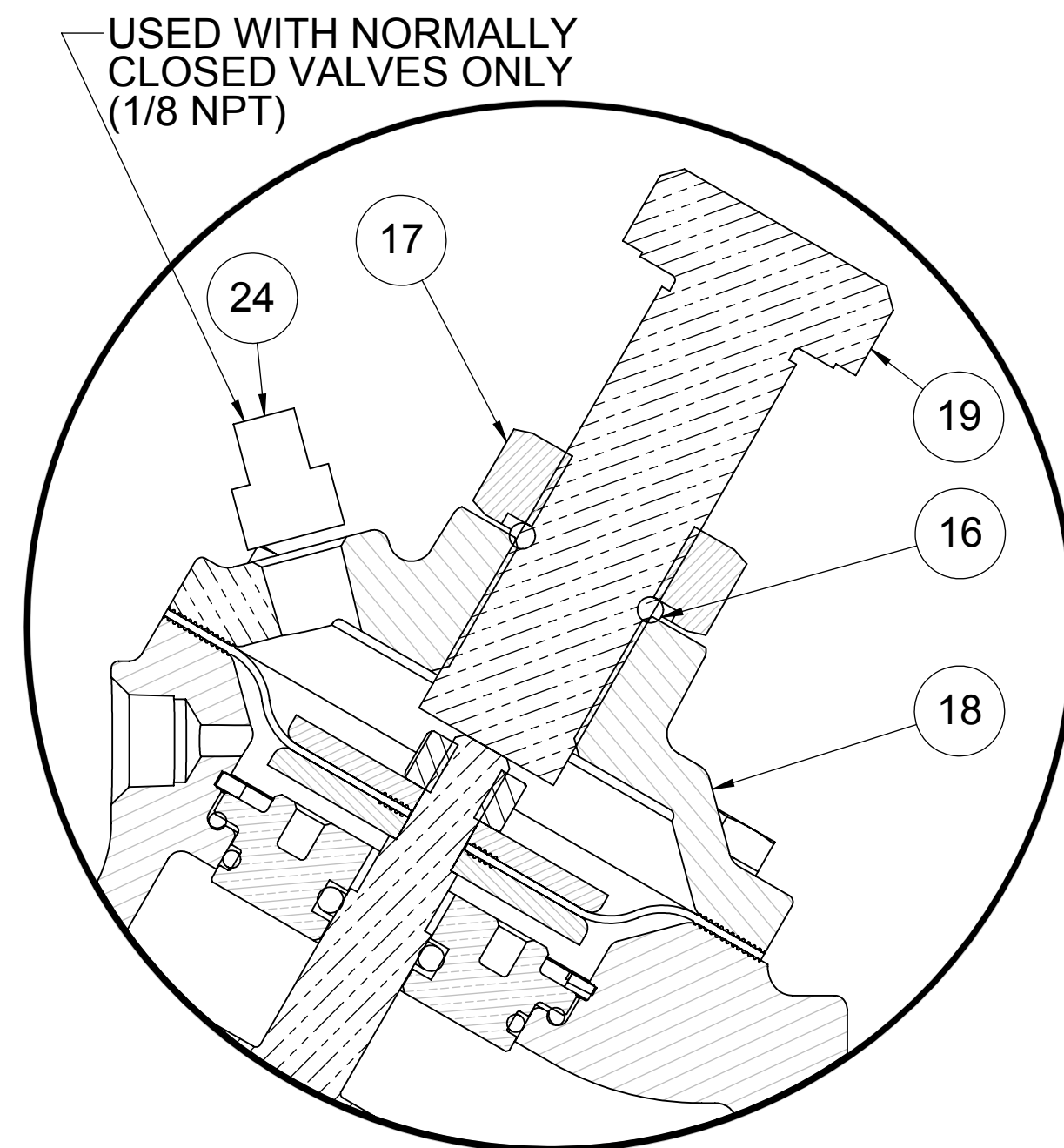
THIRD ANGLE PROJECTION	APPROVALS	DATE	 AQ Matic Valve & Controls Company Inc.
DRAWN	NE	12-27-11	
APPROVED			
CHECKED			

TITLE: CATALOG SHEET, 461, 316SS STANDARD MODEL

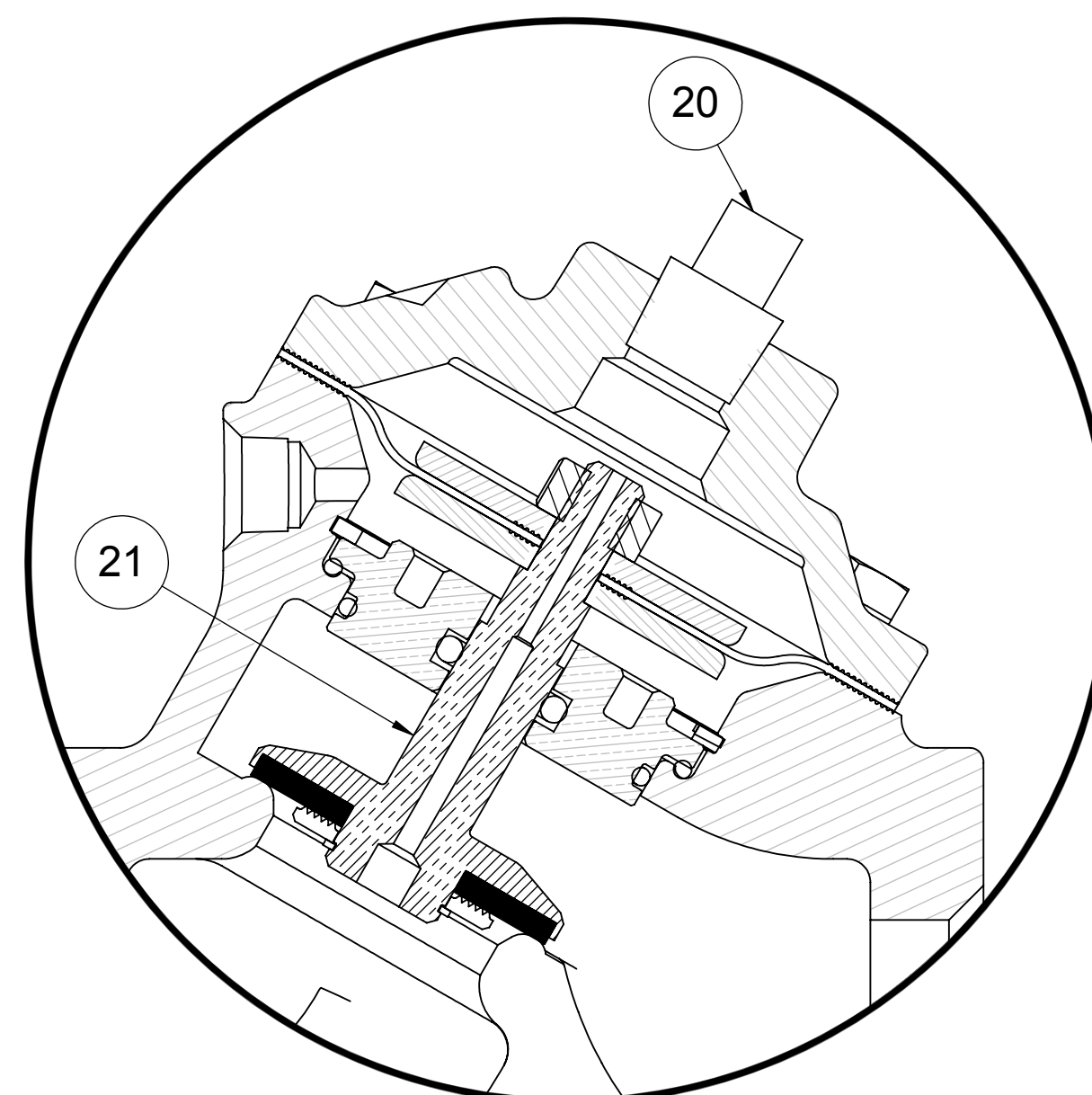
SIZE: **B** DWG NO.: BR1078633 REV: H

SCALE: 1:1 SHEET 1 OF 2

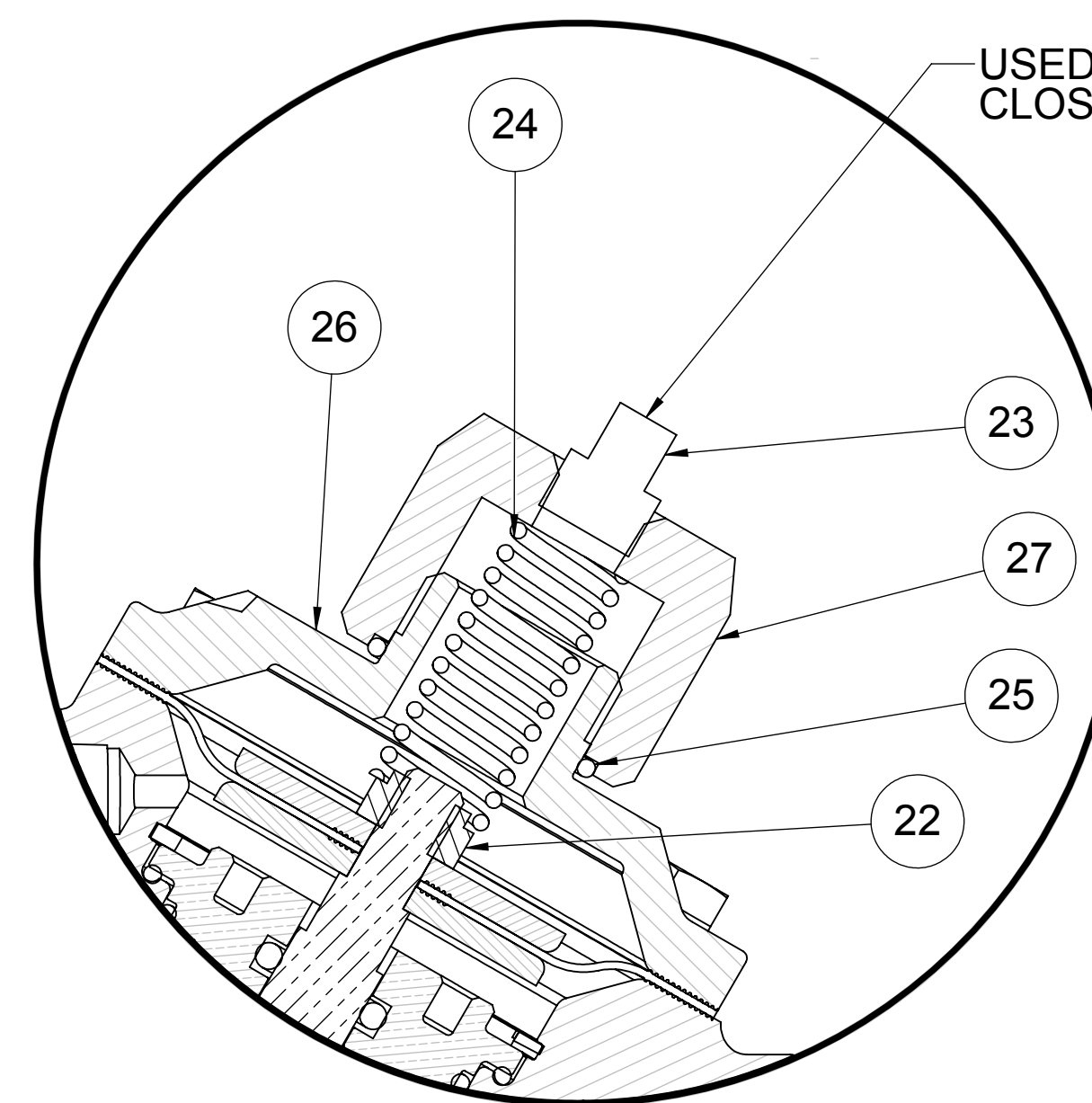
REVISIONS					
ZONE	ECN	REV.	DESCRIPTION	DATE	APPD
			SEE SHEET 1 FOR LIST OF CHANGES		



LIMIT STOP
MODEL:V46C-3210-03000 (FLANGED)
MODEL:V46C-0210-03000 (THREADED)



NORMALLY CLOSED
MODEL:V46C-3230-03000 (FLANGED)
MODEL:V46C-0230-03000 (THREADED)



SPRING ASSIST CLOSED
MODEL:V46C-3202-03000 (FLANGED)
MODEL:V46C-0202-03000 (THREADED)

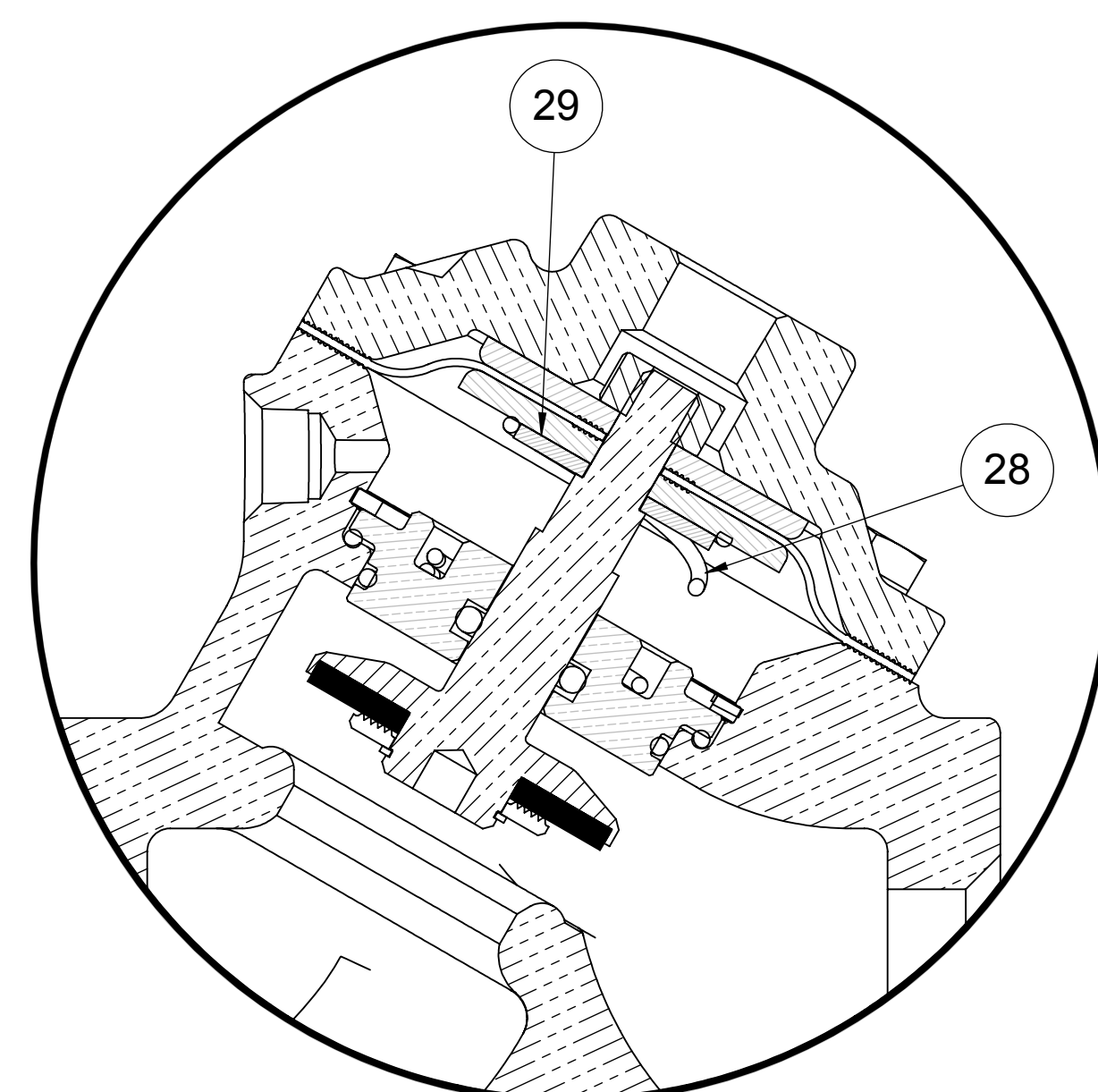
ITEM NO.	DESCRIPTION	PART NUMBER	QTY.
16	O-RING,2-112, BUNA N	1071690	1
17	NUT,LIMITED STOP,461-465	1078678	1
18	CAP, LIMIT STOP W/NPT PORT, CS	1078590	1
19	BOLT,HEX HD,FLL THRD,5/8-18X2	1078676	1

ITEM NO.	DESCRIPTION	PART NUMBER	QTY.
20	PLUG, 1/4 IN. NPT SQUARE HEAD	1078592	1
21	SHAFT, 461 NORMALLY CLOSED	1078594	1

ITEM NO.	DESCRIPTION	PART NUMBER	QTY.
22	NUT, SPRING CENTERING, SS	1078596	1
23	PLUG,1/8",SQ HD,316SS	1078600	1
24	COMPRESSION SPRING,	1078602	1
25	O-RING,2-020,BUNA N	1071674	1
26	CAP, SPRING ASSIST CLSD, CSS	1078604	1
27	SPRING RETAINER NUT, SS	1078598	1

ITEM NO.	DESCRIPTION	PART NUMBER	QTY.
28	SPRING,316SS,COMPRESSION	1078608	1
29	WASHER, CENTERING,SS	1236665	1

NOTE:
 1. SPRING ASSIST CLOSED MODEL CANNOT BE COMBINED WITH LIMITED STOP MODEL.



SPRING ASSIST OPEN
MODEL:V46C-3201-03000 (FLANGED)
MODEL:V46C-0201-03000 (THREADED)

REPAIR PARTS KITS	
DESCRIPTION	PART NO.
INT. PARTS KIT (LIMIT STOP) CONSISTS OF STANDARD ITEM NO'S 16, 17, 18	1078624
INT. PARTS KIT (NORMALLY CLOSED) CONSISTS OF STANDARD ITEM NO'S 4, 8, 9(2), 21	1078625
INT. PARTS KIT (SPRING ASSIST CLOSED) CONSISTS OF STANDARD ITEM NO'S 22, 25, 26	1078626
INT. PARTS KIT (SPRING ASSIST OPEN) CONSISTS OF STANDARD ITEM NO'S 28, 29	1078627

CONVERSION KITS	
DESCRIPTION	PART NO.
CONVERSION KIT (LIMIT STOP) CONSISTS OF STANDARD ITEM NO'S 16, 17, 18, 19	1078629
CONVERSION KIT (SPRING ASSIST CLOSED) CONSISTS OF STANDARD ITEM NO'S 22, 23, 24, 25, 26, 27	1078630
CONVERSION KIT (SPRING ASSIST OPEN) CONSISTS OF STANDARD ITEM NO'S 28, 29	1078627

SEE SHEET 1 FOR STANDARD NORMALLY OPEN MODEL

THIS DOCUMENT IS SOLELY THE PROPERTY OF AQ Matic VALVE & CONTROLS COMPANY INC. REPRODUCTION, USE, DISCLOSURE, OR TRANSMISSION OF THIS DOCUMENT OR DETAILS CONTAINED HEREIN, IN PART OR IN WHOLE, IS PROHIBITED WITHOUT THE WRITTEN CONSENT OF AQ Matic ENGINEERING. THIS DOCUMENT AND ANY COPIES SHALL BE RETURNED TO AQ Matic UPON REQUEST.

DO NOT SCALE DRAWING DIMS ARE IN INCHES (mm) INTERPRET DIMS AND TOLERANCES PER ASME Y14.5M-2009 UNLESS OTHERWISE SPECIFIED. ALL FINISHED MACHINED SURFACES 125 / OR BETTER. TOLERANCES:
 ANGLES: ± 1°
 1 PLACE XX: ± 0.15 (0.38)
 2 PLACE XX: ± 0.1 (0.3)
 3 PLACE XXX: ± 0.05 (0.13)

THIRD ANGLE PROJECTION	APPROVALS	DATE	 AQ Matic Valve & Controls Company Inc.
	DRAWN	12-27-11	
	APPROVED		
	CHECKED		

TITLE	SIZE	DWG NO.	REV
CATALOG SHEET, 461, 316SS STANDARD MODEL	B	BR1078633	H
SCALE	1:1		SHEET 2 OF 2