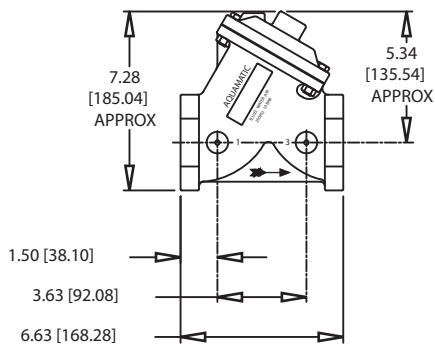
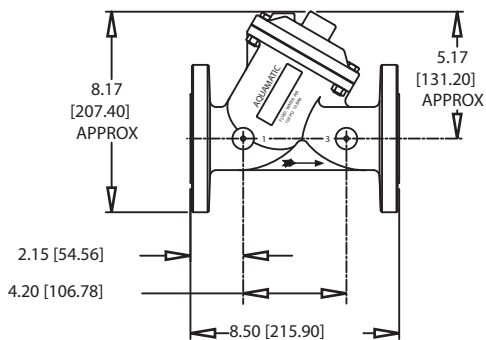


THREADED



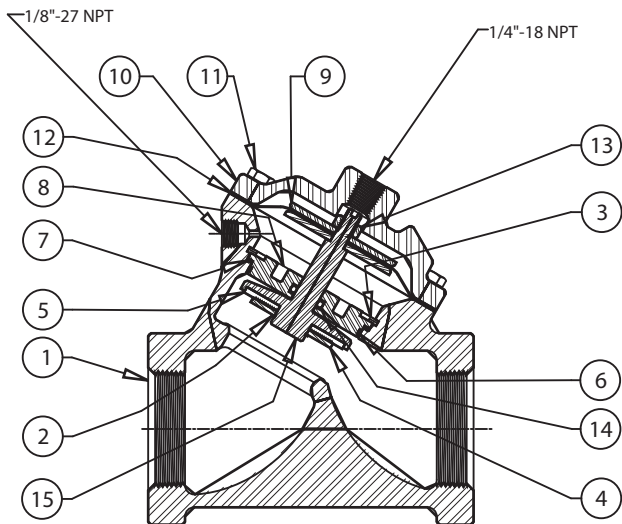
MODEL: V46F-0200-03000 (THREADED)

FLANGED

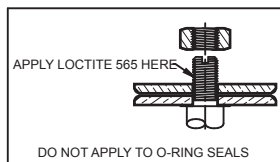


MODEL: V46F-3200-03000 (FLANGED)

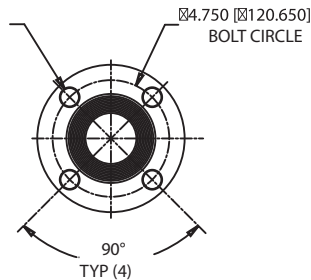
INCHES [MILLIMETERS]



NORMALLY OPEN (STANDARD)



Ø.750 [Ø19.050] THRU
TYP (4)
BOTH FLANGES



FLANGES PER ASTM B16.5
CLASS 150 AND ISO 7005-1 PN20


NO.	DESCRIPTION	STD	PART NO.	QTY.
1	BODY, 2" THREADED	NPT	1079059	1
		BSPT	1079060	
	BODY, 2" FLANGED	NPT	1078656	
2	RETAINING RING	316 SS	1078566	1
3	RETAINING RING	316 SS	1078648	1
4	DISC PLATE	316 SS	1078654	1
5	DISC	BUNA	1074307	1
		E.P.D.M.	1074309	
		FKM	1074312	
6	O-RING (-037)	BUNA N	1079836	1
		E.P.D.M.	1081948	
		FKM	1081950	
7	O-RING (-039)	BUNA N	1071685	1
		E.P.D.M.	1081949	
		FKM	1071796	
8	SHAFT GUIDE	316 SS	1078666	1
9	DIAPHRAGM PLATE	316 SS	1078664	2
10	CAP	CAST CF8M	1078660	1
11	HEX SCREW	316 SS	1078652	6
12	DIAPHRAGM	BUNA N	1074296	1
		FKM	1074297	
13	HEX NUT	316 SS	1078650	7
14	O-RING (-206TC)	BUNA N	1071699	1
		E.P.D.M.	1071742	
		FKM	1239008	
15	SHAFT	CAST CF8M	1078670	1

NOTES:

1. AMERICAN NATIONAL STANDARD TAPER PIPE THREADS (NPT) PER ANSI B1.20.1.
2. VALVES AVAILABLE IN BSPT CONFIGURATION. (SEE ITEM 1)

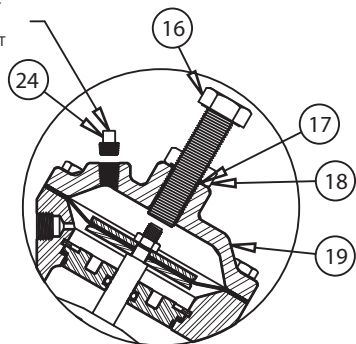
SEE SHEET 2 FOR CONFIGURATION OPTIONS

FORM NO. 1078717

F	ADDED LOCTITE APPLICATION BOX INFO	1713	MSM	26JUN07	SMN
REV	DESCRIPTION	ECO	DWN	DATE	APVD
		16605 West Victor Rd New Berlin, WI 53151 262-326-0100 www.aq-matic.com			
SERIES 465 DIAPHRAGM VALVE STANDARD MODEL					
DRAWN	GES	DATE	03APR02	DRAWING NO.	1078668

REPAIR PARTS KITS			
DESCRIPTION	PART NO.		
DIAPHRAGM & SEALS KIT CONSISTS OF ITEM NO'S 2, 3, 5, 6, 7, 12, 13, 14, 17, 26 & SILICONE PACK PART NO. 1071485	1078704	1078705	1078706
	BUNA N INCLUDES DIAPHRAGM 1074296	E.P.D.M. INCLUDES DIAPHRAGM 1074296	FKM INCLUDES DIAPHRAGM 1074297
	1078707		
INT. PARTS KIT (NORM. OPEN) CONSISTS OF STANDARD ITEM NO'S 4, 8, 9(2), 15	1078707		

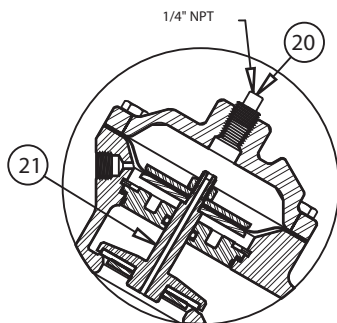
USED WITH NORMALLY
CLOSED VALVES ONLY
1/8" NPT



LIMIT STOP

MODEL: V46F-3210-03000 (FLANGED)
MODEL: V46F-0210-03000 (THREADED)

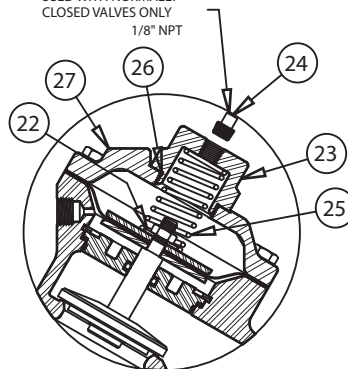
1/4" NPT



NORMALLY CLOSED

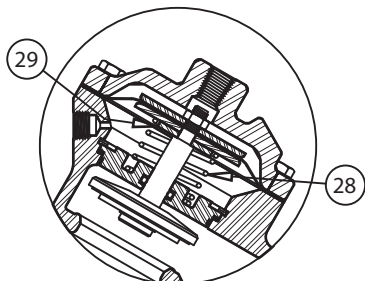
MODEL: V46F-3230-03000 (FLANGED)
MODEL: V46F-0230-03000 (THREADED)

USED WITH NORMALLY
CLOSED VALVES ONLY
1/8" NPT



SPRING ASSIST CLOSED

MODEL: V46F-3202-03000 (FLANGED)
MODEL: V46F-0202-03000 (THREADED)



SPRING ASSIST OPEN

MODEL: V46F-3201-03000 (FLANGED)
MODEL: V46F-0201-03000 (THREADED)

NO.	DESCRIPTION	STD	PART NO.	QTY.
LIMIT STOP MODEL				
16	SCREW	316 SS	* 1078676	1
17	O-RING (-112)	BUNA	* 1071690	1
18	STOP NUT	316 SS	* 1078678	1
19	CAP, NPT	CAST (CF8M)	* 1078680	1

NORMALLY CLOSED MODEL				
20	PIPE PLUG, 1/4" NPT	316 SS	* 1078592	1
21	SHAFT (NORMALLY CLOSED)	316 SS	* 1078682	1

SPRING ASSIST CLOSED MODEL				
22	CENTERING WASHER	316 SS	* 1078684	1
23	RETAINER NUT	316 SS	* 1078686	1
24	PIPE PLUG (1/8" NPT)	316 SS	* 1078600	1
25	SPRING	316 SS	* 1078688	1
26	O-RING (-025)	BUNA	* 1071677	1
27	CAP	CAST (CF8M)	* 1078690	1

SPRING ASSIST OPEN MODEL				
28	SPRING	316 SS	* 1078692	1
29	CENTERING WASHER	316 SS	* 1078694	1

NOTE:


1. SPRING ASSIST CLOSED MODEL CANNOT BE COMBINED WITH LIMIT STOP MODEL.

SEE SHEET 1 FOR STANDARD
NORMALLY OPEN MODEL

FORM NO. 1078717

CONVERSION KITS	
DESCRIPTION	PART NO.
CONVERSION KIT (LIMIT STOP) CONSISTS OF STANDARD ITEM NO'S 16,17,18,19	1078713
CONVERSION KIT (SPRING ASSIST CLOSED) CONSISTS OF STANDARD ITEM NO'S 22,23,24,25,26,27	1078714
CONVERSION KIT (SPRING ASSIST OPEN) CONSISTS OF STANDARD ITEM NO'S 28,29	1078711

REPAIR PARTS KITS	
DESCRIPTION	PART NO.
INT. PARTS KIT (LIMIT STOP) CONSISTS OF STANDARD ITEM NO'S 16,17,18	1078708
INT. PARTS KIT (NORMALLY CLOSED) CONSISTS OF STANDARD ITEM NO'S 4,8,9(2),21	1078709
INT. PARTS KIT (SPRING ASSIST CLOSED) CONSISTS OF STANDARD ITEM NO'S 22,25,26	1078710
INT. PARTS KIT (SPRING ASSIST OPEN) CONSISTS OF STANDARD ITEM NO'S 28, 29	1078711

F	SEE REVERSE SIDE	1713	MSM	26/JUN07	SMN
REV	DESCRIPTION	ECO	DWN	DATE	APVD
		16605 West Victor Rd New Berlin, WI 53151 262-326-0100 www.aq-matic.com			
SERIES 465 DIAPHRAGM VALVE STANDARD MODEL					
DRAWN	GES	DATE	03APR02	DRAWING NO.	1078668