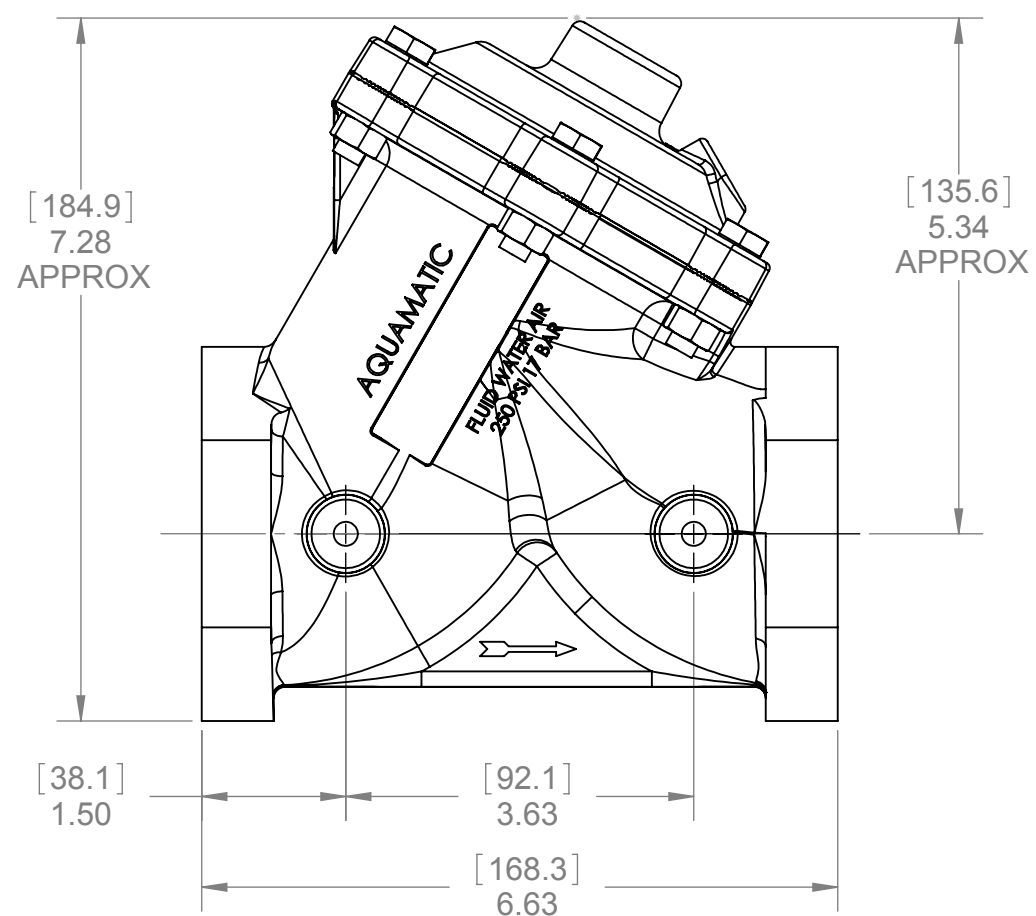
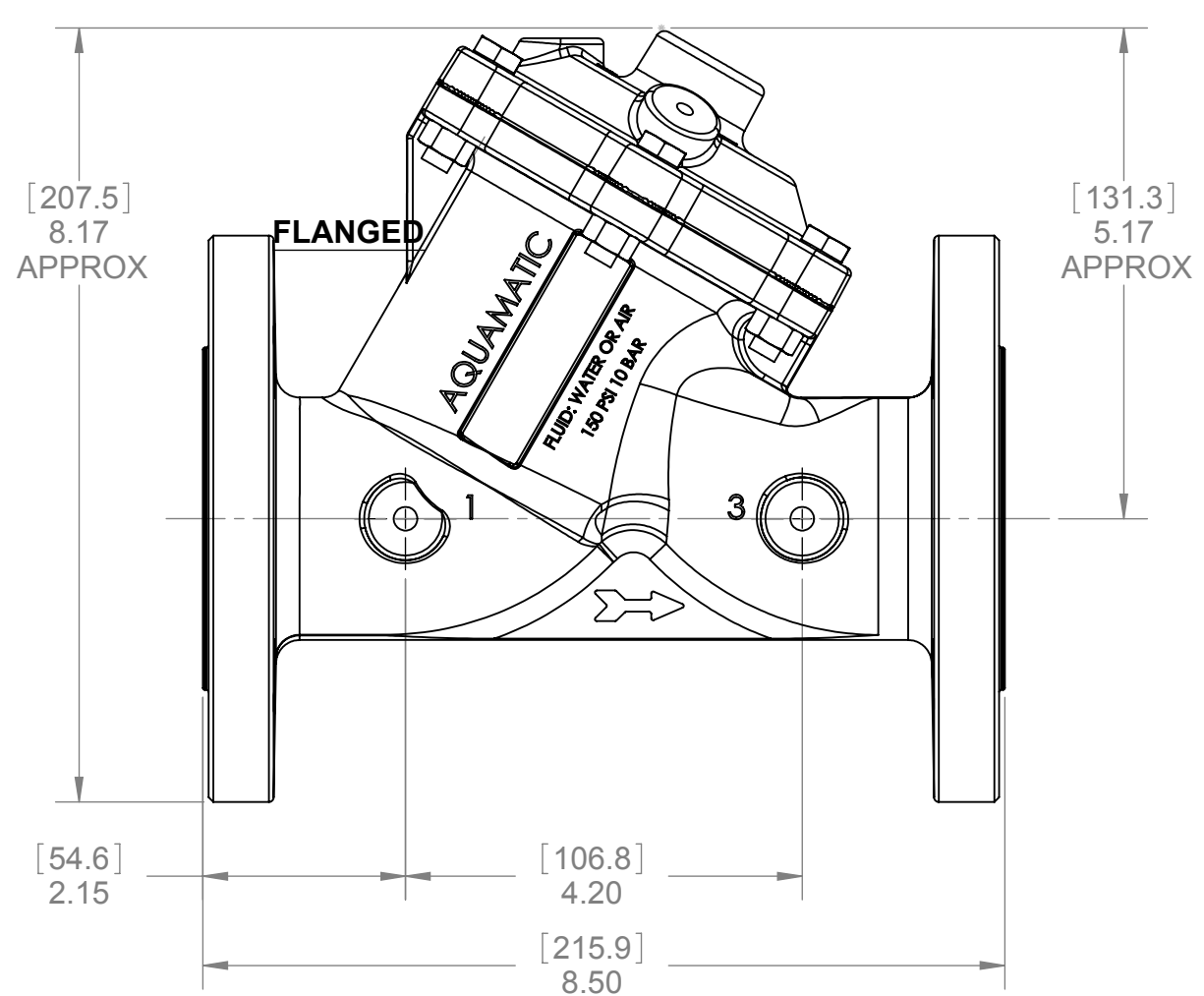


**THREADED**

**FLANGED**

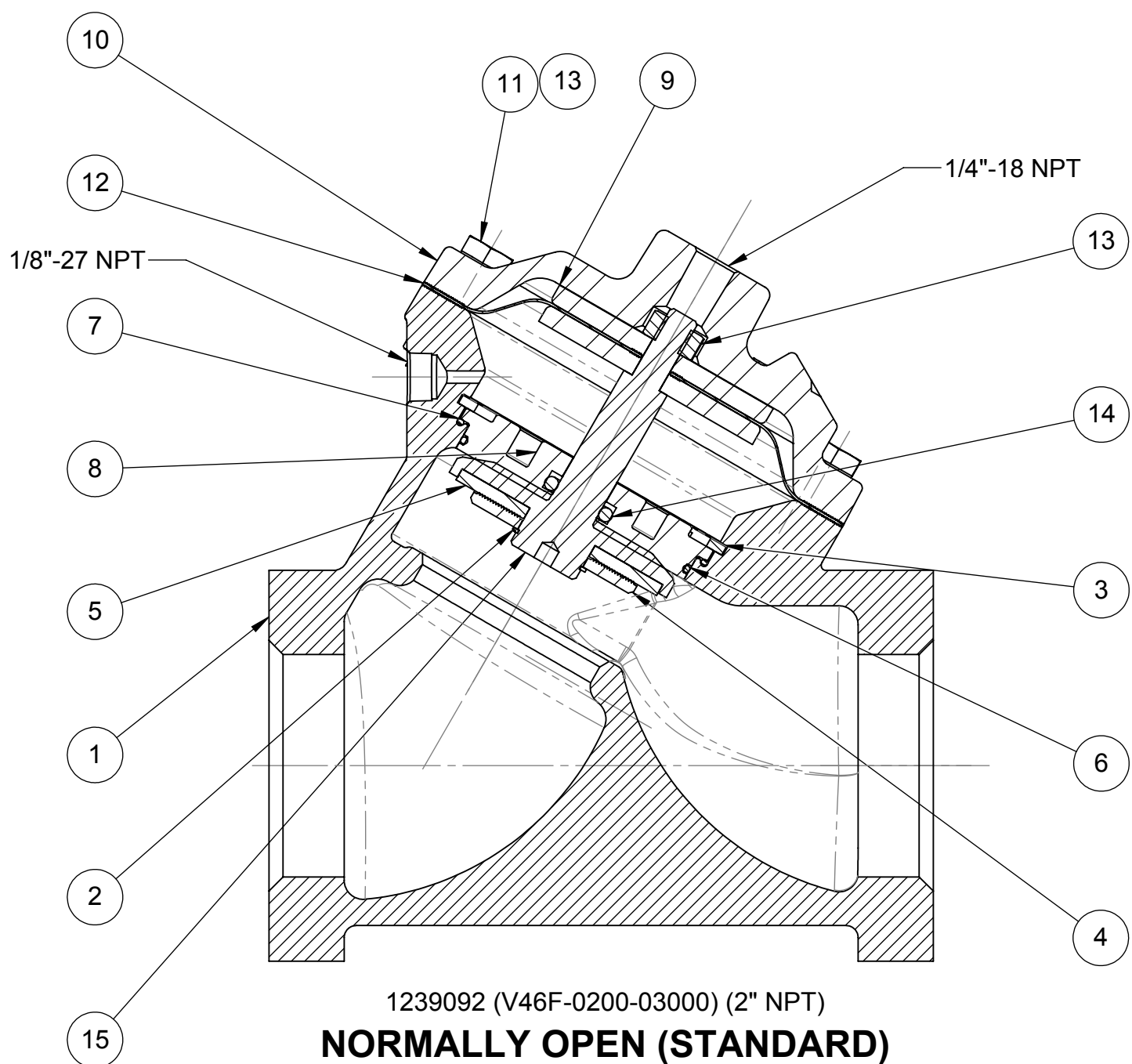


**MODEL: V46F-0200-03000 (THREADED)  
(1239092)**

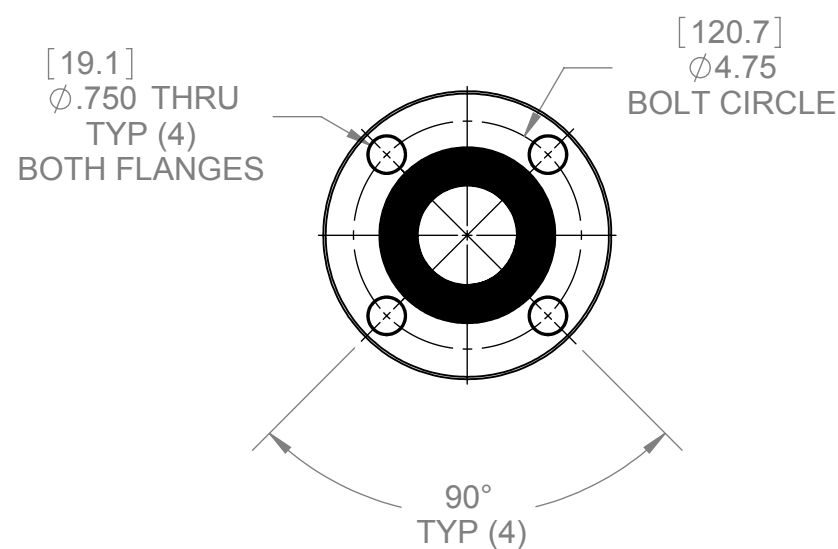


**MODEL: V46F-3200-03000 (FLANGED)  
(1081116)**

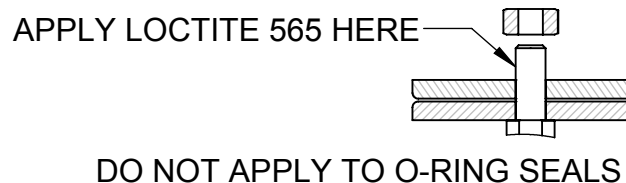
TORQUE TABLE		
ITEM #	DESCRIPTION	TORQUE TO (+/- 10%)
11 & 13	NUT, SCREW, HEX HEAD	140 IN/LBS
13	NUT UPPER	140 IN/LBS



**1239092 (V46F-0200-03000) (2" NPT)  
NORMALLY OPEN (STANDARD)**



**FLANGES PER ASTM B16.5  
CLASS 150 AND ISO 7005-1 PN20**



THIS DOCUMENT IS SOLELY THE PROPERTY OF AQ Matic VALVE & CONTROLS COMPANY INC. REPRODUCTION, USE, DISCLOSURE, OR TRANSMISSION OF THIS DOCUMENT OR DETAILS CONTAINED HEREIN, IN PART OR IN WHOLE, IS PROHIBITED WITHOUT THE WRITTEN CONSENT OF AQ Matic ENGINEERING. THIS DOCUMENT AND ANY COPIES SHALL BE RETURNED TO AQ Matic UPON REQUEST.

DO NOT SCALE DRAWING. DIMS. ARE IN INCHES [mm] INTERPRET DIMS AND TOLERANCES PER ASME Y14.5M-2009 UNLESS OTHERWISE SPECIFIED. ALL FINISHED MACHINED SURFACES 125 ✓ OR BETTER. TOLERANCES:  
 ANGLES: ± 1°  
 1 PLACE .X: ± .015 [0.38]  
 2 PLACE .XX: ± .01 [0.3]  
 3 PLACE .XXX: ± .005 [0.13]

REVISIONS					
ZONE	ECN	REV.	DESCRIPTION	DATE	APP'D
	100100	G	REDRAWN IN SOLIDWORKS	1-4-12	NBE
	1001	H	AQ Matic update & verified part numbers	17JAN17	MGS

ITEM NO.	DESCRIPTION	STD	PART NUMBER	QTY.	
1	BODY, 465, 2.00, NPT NPT	*	CAST CF8M (316 SS)	1079059	1
	BODY 465, FLANGED NPT		1078656	1	
2	RING,RETAINING,.710X.031	*	316 SS	1078566	1
3	RING,RETAINING,3.053X.093	*	316 SS	1078648	1
4	DISC PLATE, 465	*	316 SS	1078654	1
5	DISC	*	BUNA	1074307	1
			E.P.D.M.	1074309	1
			FKM	1074312	1
6	O-RING, ORE-037	*	BUNA N	1079836	1
			E.P.D.M.	1081948	1
			FKM	1081950	1
7	O-RING, ORE-039	*	BUNA N	1071685	1
			E.P.D.M.	1081949	1
			FKM	1071796	1
8	SHAFT GUIDE,465	*	316 SS	1078666	1
9	DIAPHRAGM PLATE, 465	*	316 SS	1078664	2
10	CAP, 465, NPT TAP TOP	*	CAST CF8M	1078660	1
11	SCREW,HX HD CAP,5/16-18X1 1/4	*	316 SS	1078652	6
12	DIAPHRAGM, SERIES 425	*	BUNA N	1074296	1
			FKM	1074297	1
13	HEX NUT, 5/16"-18	*	316 SS	1078650	7
14	O-RING, -206TC	*	BUNA N	1071699	1
			FKM	1239009	1
15	SHAFT, 465, NORMALLY OPEN	*	CAST CF8M	1078670	1

- NOTES:  
 1. AMERICAN NATIONAL STANDARD TAPER PIPE THREADS (NPT) PER ANSI B1.20.1.  
 2. VALVES AVAILABLE IN BSPT CONFIGURATION. (SEE ITEM 1)

REPAIR PARTS KITS			
DESCRIPTION	PART NO.		
DIAPHRAGM & SEALS KIT CONSISTS OF ITEM NO'S 2, 3, 5, 6, 7, 12, 13, 14, 17 & 26 & SILICONE PACK PART NO. 1071485	BR1078704	BR1078705	BR1078706
	BUNA N INCLUDES DIAPHRAGM 1074296	E.P.D.M. INCLUDES DIAPHRAGM 1074296	FKM INCLUDES DIAPHRAGM 1074297
INT. PARTS KIT (NORM. OPEN) CONSISTS OF STANDARD ITEM NO'S 4, 8, 9(2), 15	1078707		

SEE SHEET 2 FOR CONFIGURATION OPTIONS

COMPONENTS / ASSEMBLIES TO BE COMPLIANT AND COMPATIBLE WITH EUROPEAN UNION DIRECTIVE 2011/65/EEC (RoHS2) & REGULATION (EC)1907/2006 (REACH) REQUIREMENTS

THIRD ANGLE PROJECTION

APPROVALS: APPROVED DATE: 12-27-11

DRAWN: NE

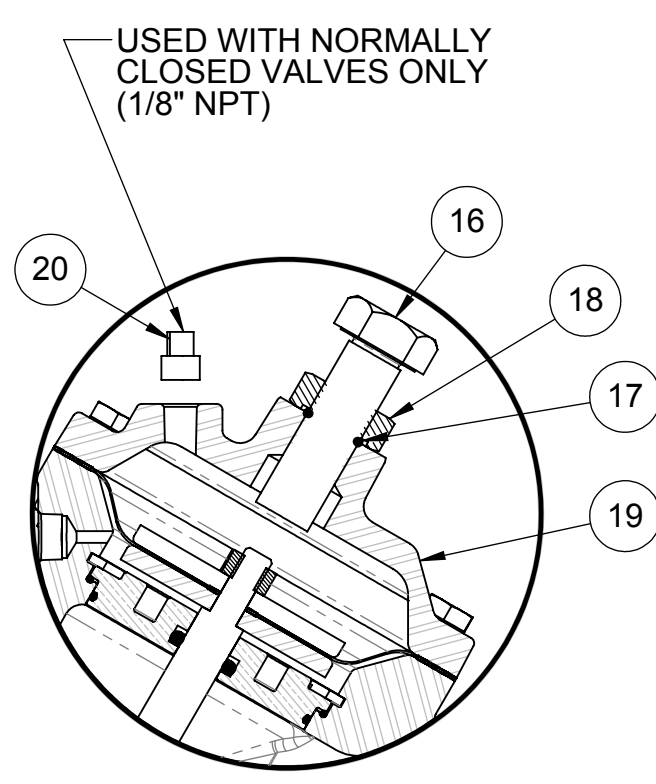
CHECKED:

**AQ Matic** Valve & Controls Company Inc.

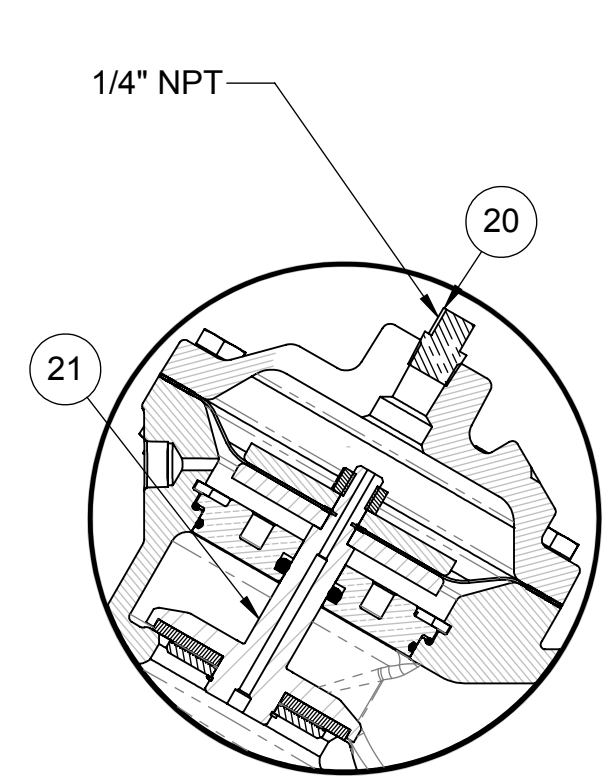
TITLE: CATALOG SHEET, 465  
DIAPHRAGM VALVE STANDARD MODEL

SIZE: **B** DWG NO.: BR1078717 REV: H

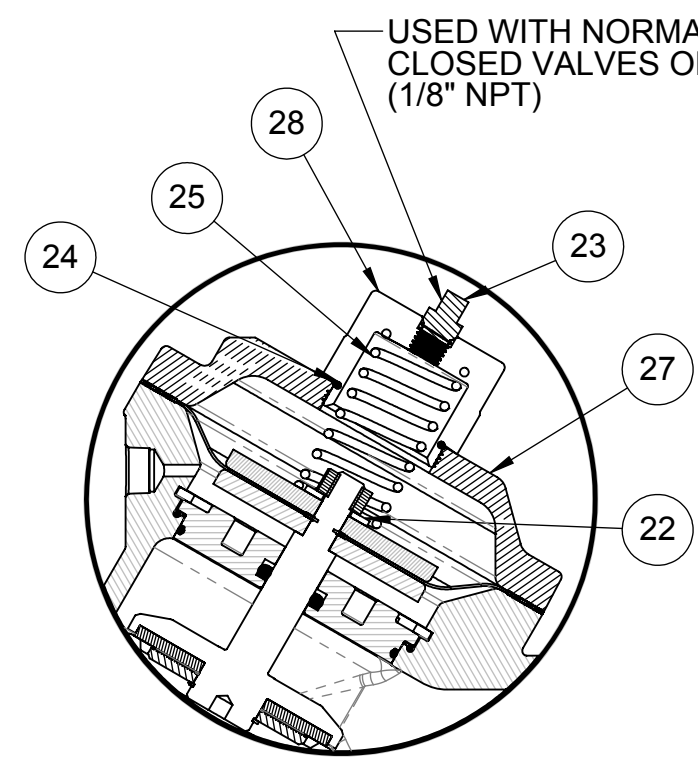
SCALE: 1:2 SHEET 1 OF 2



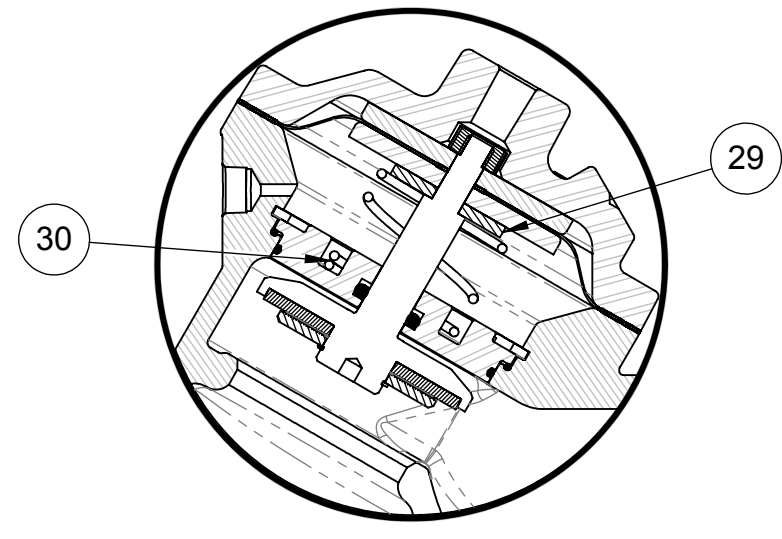
**LIMIT STOP**  
 MODEL:V46F-3210-03000 (FLANGED)  
 MODEL:V46F-0210-03000 (THREADED)



**NORMALLY CLOSED**  
 MODEL:V46F-3230-03000 (FLANGED)  
 MODEL:V46F-0230-03000 (THREADED)



**SPRING ASSIST CLOSED**  
 MODEL:V46F-3202-03000 (FLANGED)  
 MODEL:V46F-0202-03000 (THREADED)



**SPRING ASSIST OPEN**  
 MODEL:V46F-3201-03000 (FLANGED)  
 MODEL:V46F-0201-03000 (THREADED)

NOTE:  
 1. SPRING ASSIST CLOSED MODEL CANNOT BE COMBINED WITH LIMITED STOP MODEL.

REVISIONS					
ZONE	ECN	REV.	DESCRIPTION	DATE	APP'D
			SEE SHEET 1 FOR LIST OF CHANGES		

LIMIT STOP MODEL				
ITEM NO.	DESCRIPTION	PART NUMBER	QTY.	
16	BOLT, HEX HD, FLL THRD, 5/8-18X2	SS 1078676	1	
17	O-RING, 2-112, NITRILE	BUNA 1071690	1	
18	NUT, LIMITED STOP, 461-465	SS 1078678	1	
19	CAP, 465, NPT, LIMIT STOP	SS 1078680	1	

NORMALLY CLOSED MODEL				
ITEM NO.	DESCRIPTION	PART NUMBER	QTY.	
20	PLUG, 1/4 IN. NPT SQUARE HEAD	SS 1078592	1	
21	SHAFT, 465 NORMALLY CLOSED	SS 1078682	1	

SPRING ASSIST CLOSED MODEL				
ITEM NO.	DESCRIPTION	PART NUMBER	QTY.	
22	WASHER, CENTERING, 465/426/427	SS 1078684	1	
23	PLUG, 1/8", SQ HD	SS 1078600	1	
24	O-RING, 2-025, NITRILE	BUNA 1071677	2	
25	SPRING, COMPRESSION	SS 1078688	1	
27	CAP, 465, SPRING ASST CLSD	SS 1078690	1	
28	NUT, SPRG RTNR, 425 & 465	SS 1078686	1	

SPRING ASSIST OPEN MODEL				
ITEM NO.	DESCRIPTION	PART NUMBER	QTY.	
29	SPRING, COMPRESSION	SS 1078692	1	
30	SPACER, CENTERING	SS 1078694	1	

REPAIR PARTS KITS	
DESCRIPTION	PART NO.
INT. PARTS KIT (LIMIT STOP) CONSISTS OF STANDARD ITEM NO'S 16, 17, 18	1078708
INT. PARTS KIT (NORMALLY CLOSED) CONSISTS OF STANDARD ITEM NO'S 4, 8, 9(2), 21	1078709
INT. PARTS KIT (SPRING ASSIST CLOSED) CONSISTS OF STANDARD ITEM NO'S 22, 25, 26	1078710
INT. PARTS KIT (SPRING ASSIST OPEN) CONSISTS OF STANDARD ITEM NO'S 28, 29	1078711

CONVERSION KITS	
DESCRIPTION	PART NO.
CONVERSION KIT (LIMIT STOP) CONSISTS OF STANDARD ITEM NO'S 16, 17, 18, 19	1078713
CONVERSION KIT (SPRING ASSIST CLOSED) CONSISTS OF STANDARD ITEM NO'S 22, 23, 24, 25, 26, 27	1078714
CONVERSION KIT (SPRING ASSIST OPEN) CONSISTS OF STANDARD ITEM NO'S 28, 29	1078711

SEE SHEET 1 FOR STANDARD NORMALLY OPEN MODEL

COMPONENTS / ASSEMBLIES TO BE COMPLIANT AND COMPATIBLE WITH EUROPEAN UNION DIRECTIVE 2011/65/EEC (RoHS2) & REGULATION (EC)1907/2006 (REACH) REQUIREMENTS

THIS DOCUMENT IS SOLELY THE PROPERTY OF AQ Matic VALVE & CONTROLS COMPANY INC. REPRODUCTION, USE DISCLOSURE, OR TRANSMISSION OF THIS DOCUMENT OR DETAILS CONTAINED HEREIN, IN PART OR IN WHOLE, IS PROHIBITED WITHOUT THE WRITTEN CONSENT OF AQ Matic ENGINEERING. THIS DOCUMENT AND ANY COPIES SHALL BE RETURNED TO AQ Matic UPON REQUEST.

DO NOT SCALE DRAWING. DIMS. ARE IN INCHES [mm]  
 INTERPRET DIMS AND TOLERANCES PER ASME Y14.5M -2009  
 UNLESS OTHERWISE SPECIFIED.  
 ALL FINISHED MACHINED SURFACES 125 √ OR BETTER.  
 TOLERANCES:  
 ANGLES: ± 1°  
 1 PLACE .X: ± .015 [0.38]  
 2 PLACE .XX: ± .01 [0.3]  
 3 PLACE .XXX: ± .005 [0.13]

THIRD ANGLE PROJECTION	APPROVALS	DATE
	NE	12-27-11
	APPROVED	
	CHECKED	

**AQ Matic** Valve & Controls Company Inc.

TITLE: CATALOG SHEET, 465  
 DIAPHRAGM VALVE STANDARD MODEL

SIZE: **B** DWG NO.: **BR1078717** REV: **H**

SCALE: 1:2 SHEET 2 OF 2