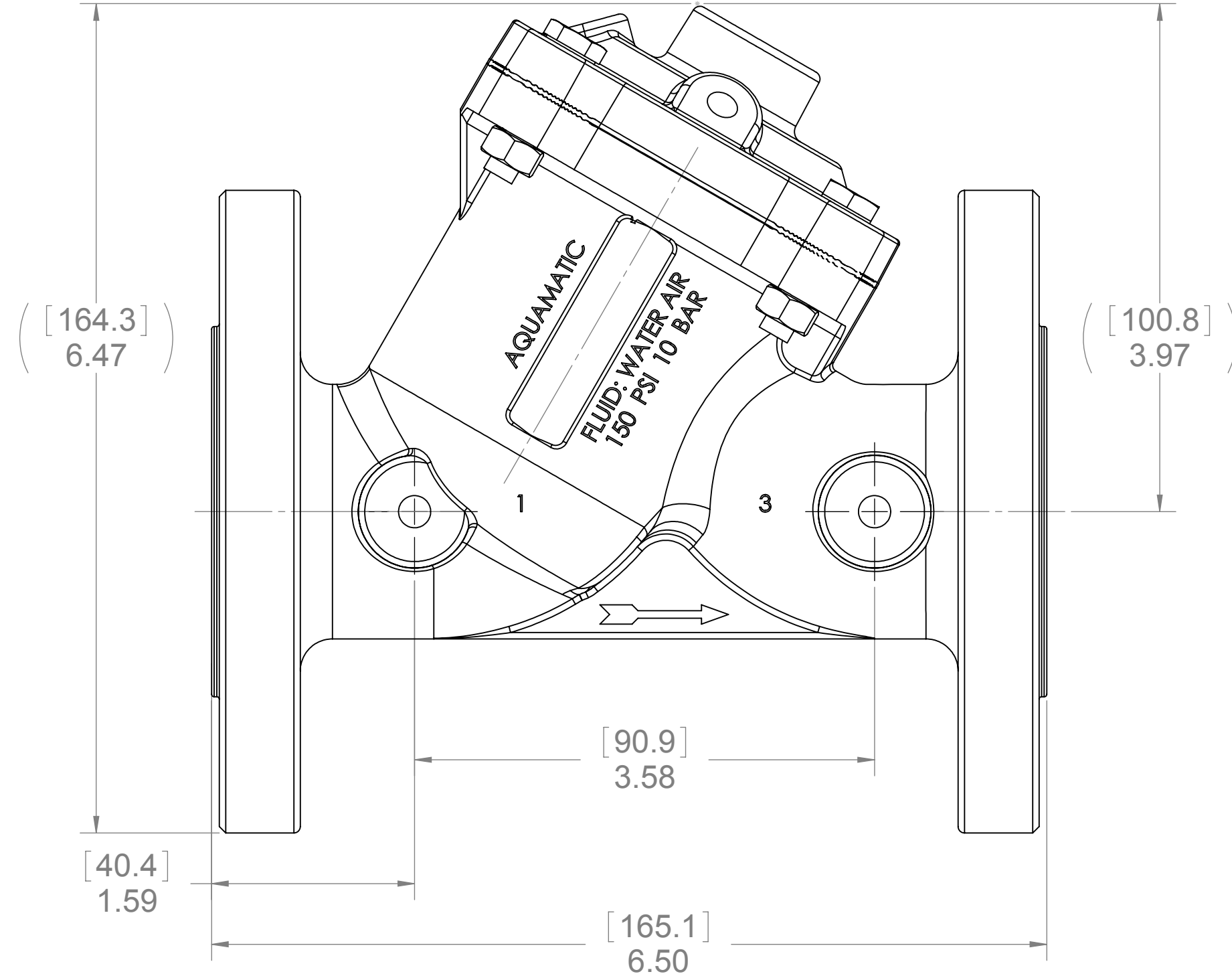
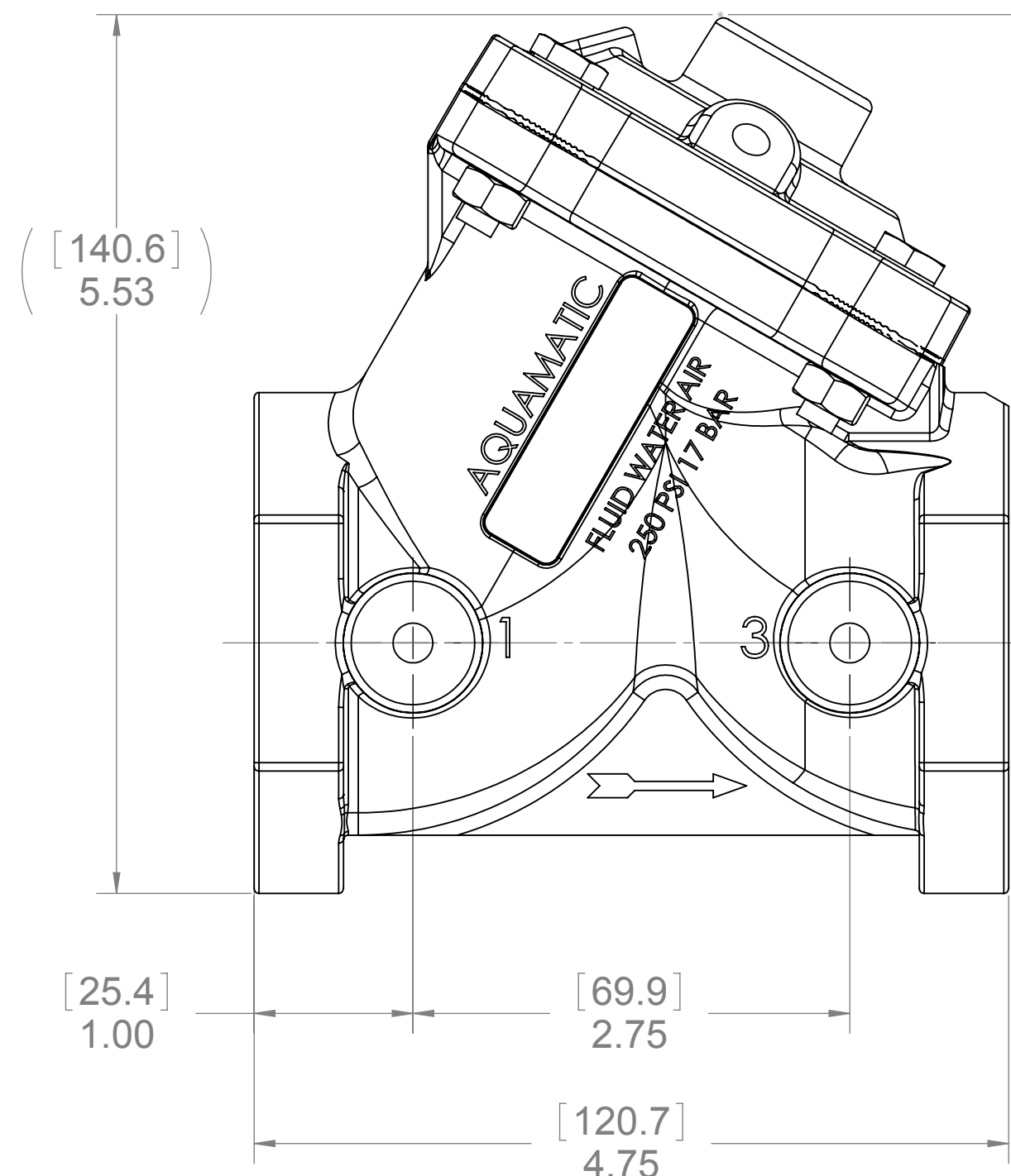


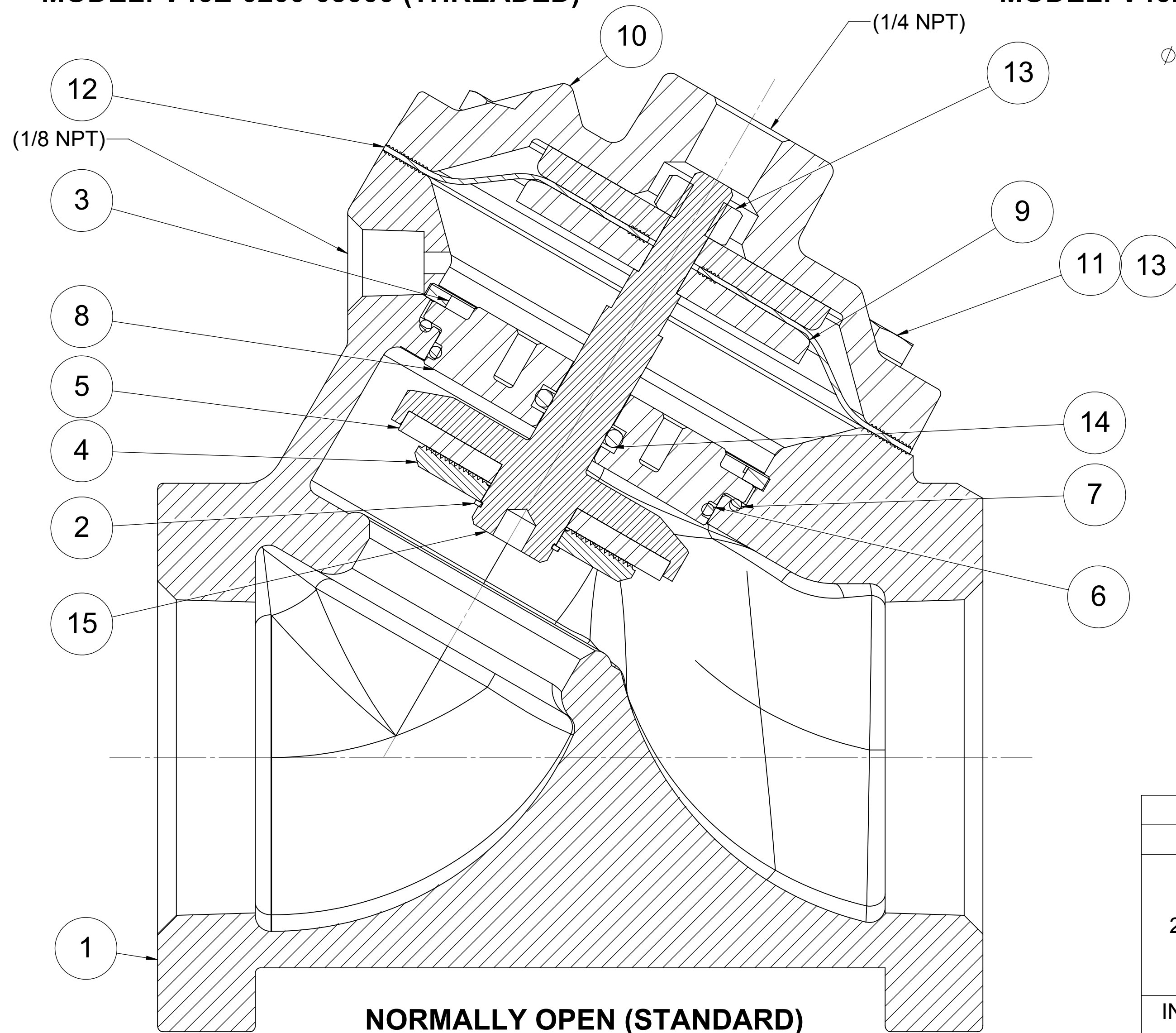
THREADED

FLANGED

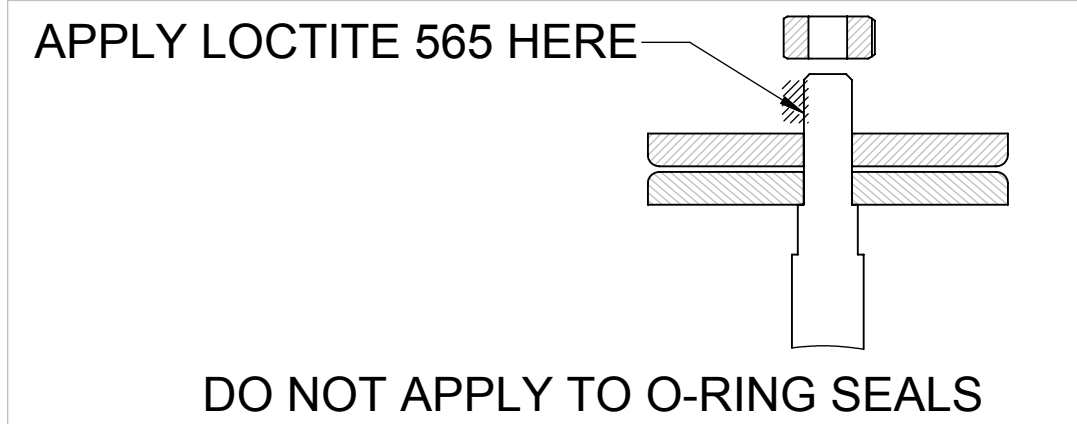
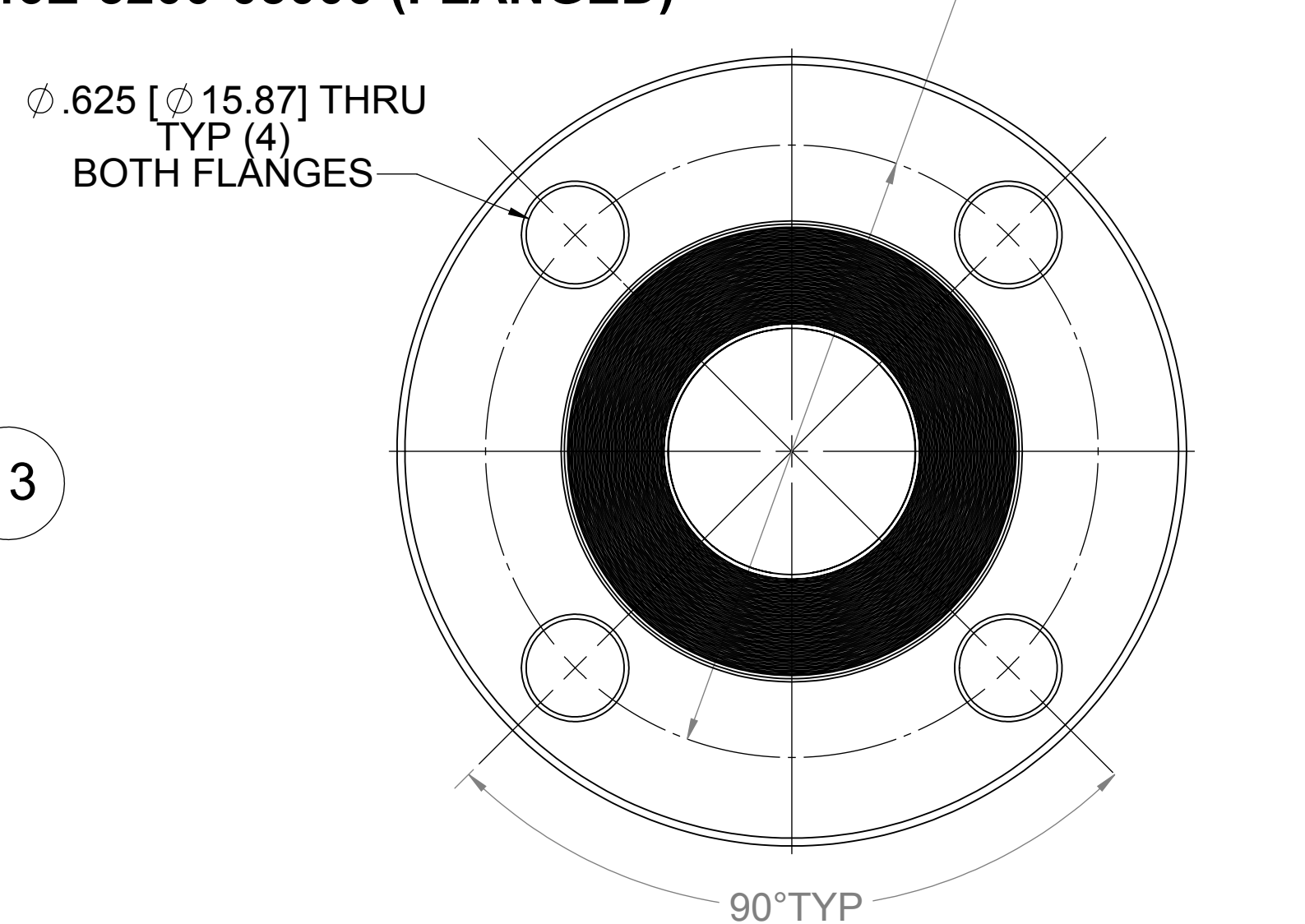


MODEL: V46E-0200-03000 (THREADED)

MODEL: V46E-3200-03000 (FLANGED)



NORMALLY OPEN (STANDARD)



REVISIONS					
ZONE	ECN	REV.	DESCRIPTION	DATE	APP'D
	100100	G	REDRAWN IN SOLIDWORKS	1-4-12	NBE
	103445	H	MODIFIED DIMENSIONS TO SHOW AS REF ON PAGE ONE.	18JUN14	TJM
	1001	J	AQ Matic update & verified part numbers	17JAN17	MGS

ITEM NO.	DESCRIPTION	STD	PART NUMBER	QTY.
1	BODY, 464 1.5" NPT THREADED	CAST CF8M (316 SS)	1084204	1
	BODY, 464, FLANGED,		1084208	
2	RING, RETAINING, SPRIAL	316 SS	1078562	1
3	RING, RETAINING, 2.255X.078, SS	316 SS	1236749	1
4	PLATE, DISC, 464, MCHD	316 SS	1236752	1
5	DISC, 424, BUNA	BUNA N	1074232	1
	DISC, 424, EP	E.P.D.M.	1074233	
	DISC, 424, VITON	FKM	1074236	
6	O-RING, 2-031, NITRILE	BUNA N	1071680	1
	O-RING, EP, ORE-031	E.P.D.M.	1236771	
7	O-RING, -031, FKM	FKM	1236777	1
	O-RING (NITRILE), 2-033	BUNA N	1236751	
	O-RING, EP, ORE-033	E.P.D.M.	1236772	
8	O-RING, -033, FKM	FKM	1236778	1
	SHAFT GUIDE, 464, SS	316 SS	1236755	
9	PLATE, DIAPHRAGM, 464, SS	316 SS	1236754	2
10	CAP, NPT TAP TOP, CSS	CAST CF8M	1236753	1
11	SCREW, HEX HD, 1/4-20X 1 1/8, SS	316 SS	1236794	4
12	DIAPHRAGM, 424, NBR	BUNA N	1074222	1
	DIAPHRAGM, 424, FKM	FKM	1074224	
13	NUT, HEX, 1/4"-20, SS	316 SS	1075693	5
	O-RING, 2-110, NITRILE, TFLN CTD	BUNA N	1071689	
	O-RING, EPDM, TEFLON COATED,	E.P.D.M.	1071726	
14	O-RING, -110TC, FKM	FKM	1239021	1
	SHAFT, 464 NORMALLY OPEN	CAST CF8M	1084212	

- NOTES:**
 1. AMERICAN NATIONAL STANDARD TAPER PIPE THREADS (NPT) PER ANSI B1.20.1.
 2. VALVES AVAILABLE IN BSPT CONFIGURATION. (SEE ITEM 1)

SEE SHEET 2 FOR CONFIGURATION OPTIONS

REPAIR PARTS KITS			
DESCRIPTION	PART NO.		
DIAPHRAGM & SEALS KIT CONSISTS OF ITEM NO'S 2, 3, 5, 6, 7, 12, 13, 14, 17 & 26 & SILICONE PACK PART NO. BR1071485	1236768	1236769	1236775
	BUNA N INCLUDES DIAPHRAGM 1074222	E.P.D.M. INCLUDES DIAPHRAGM 1074222	FKM INCLUDES DIAPHRAGM 1236800
	1236780		
INT. PARTS KIT (NORM. OPEN) CONSISTS OF STANDARD ITEM NO'S 4, 8, 9(2), 15	1236780		

THIS DOCUMENT IS SOLELY THE PROPERTY OF AQ Matic VALVE & CONTROLS COMPANY INC. REPRODUCTION, USE, DISCLOSURE, OR TRANSMISSION OF THIS DOCUMENT OR DETAILS CONTAINED HEREIN, IN PART OR IN WHOLE, IS PROHIBITED WITHOUT THE WRITTEN CONSENT OF AQ Matic ENGINEERING. THIS DOCUMENT AND ANY COPIES SHALL BE RETURNED TO AQ Matic UPON REQUEST.

DO NOT SCALE DRAWING DIMS ARE IN INCHES (mm) INTERPRET DIMS AND TOLERANCES PER ASME Y14.5M-2009 UNLESS OTHERWISE SPECIFIED. ALL FINISHED MACHINED SURFACES 125 √ OR BETTER. TOLERANCES: ANGLES: ± 1° 1 PLACE XX: ± 0.15 (0.38) 2 PLACE XX: ± 0.1 (0.3) 3 PLACE XXX: ± 0.05 (0.13)

THIRD ANGLE PROJECTION

APPROVALS: DATE: 12-27-11

DRAWN: NE

APPROVED:

CHECKED:

AQ Matic Valve & Controls Company Inc.

TITLE: CATALOG SHEET, 464, DIA VALVE STANDARD MODEL

SIZE: B DWG NO.: BR1236757 REV: J

SCALE: 1:1 SHEET 1 OF 2

REVISIONS					
ZONE	ECN	REV.	DESCRIPTION	DATE	APP'D
			SEE SHEET 1 FOR LIST OF CHANGES.		

LIMIT STOP MODEL

ITEM NO.	DESCRIPTION	PART NUMBER	QTY.
16	O-RING,2-112,NITRILE	1071690	1
17	NUT,LIMITED STOP,461-465	1078678	1
18	CAP, LIMIT STOP W/NPT PORT,	1236759	1
45	BOLT,HEX HD,FLL THRD,5/8-18X2	1078676	1

NORMALLY CLOSED MODEL

ITEM NO.	DESCRIPTION	PART NUMBER	QTY.
20	PLUG, 1/4 IN. NPT SQUARE HEAD	1078592	1
21	SHAFT, 464, NORMALLY CLOSED	1236762	1
46	DIAPHRAGM, 424	BUNA	1074222
		FKM	1074224

SPRING ASSIST CLOSED MODEL

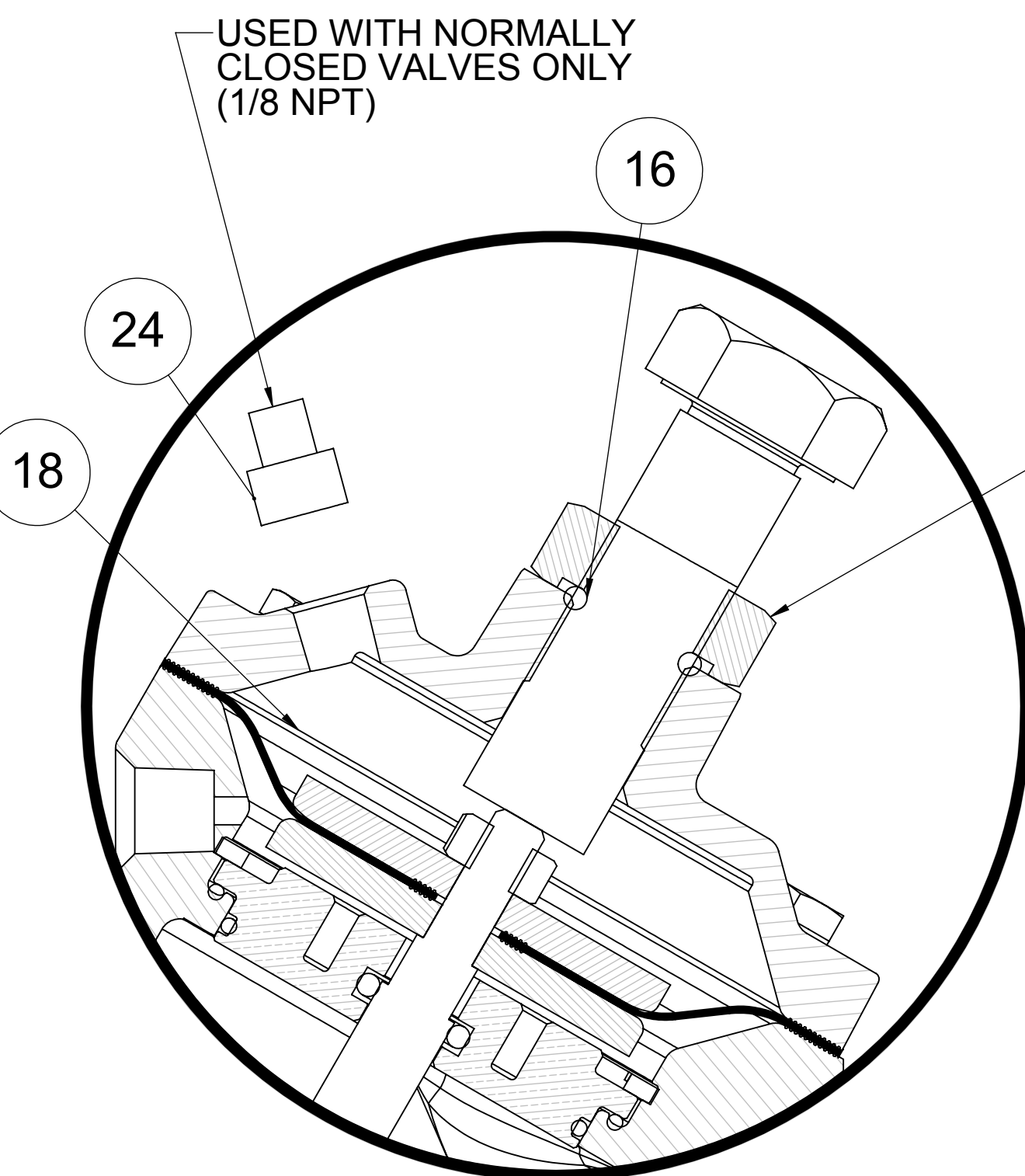
ITEM NO.	DESCRIPTION	PART NUMBER	QTY.
22	NUT, SPRING CENTERING, SS	1078596	1
23	PLUG,1/8",SQ HD,316SS	1078600	1
24	SPRING,SS,COMPRESSION,464	1236764	1
25	O-RING,2-020,NITRILE	1071674	1
26	CAP, SPRING ASSIST CLOSED,CSS	1236765	1
52	SPRING RETAINER NUT, 316 SS	1236763	1

SPRING ASSIST OPEN MODEL

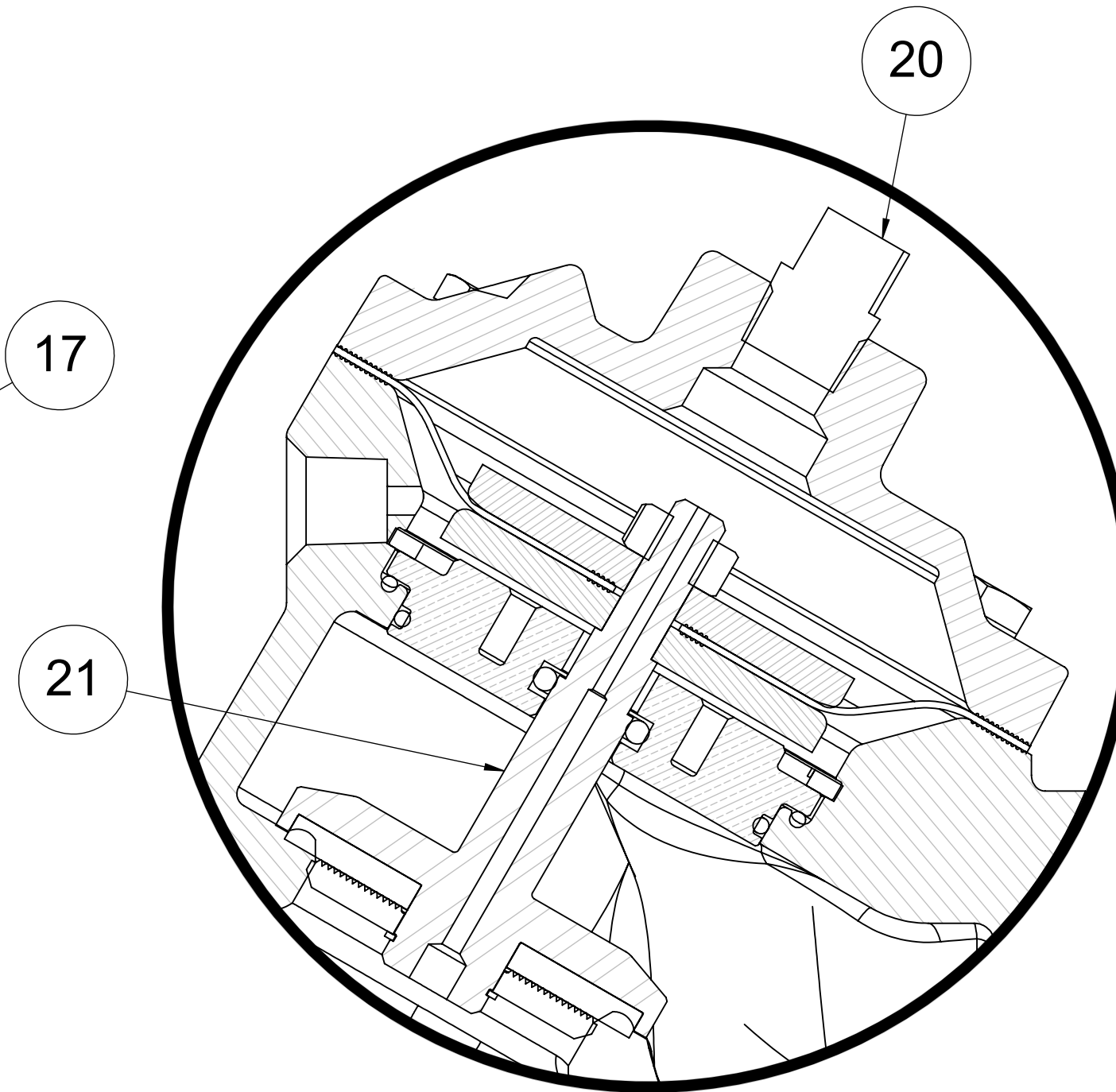
ITEM NO.	DESCRIPTION	PART NUMBER	QTY.
28	WASHER, CENTERING,SS	1236665	1
55	SPRING, COMPRESSION	1236766	1

NOTE:
1. SPRING ASSIST CLOSED MODEL CANNOT BE COMBINED WITH LIMITED STOP MODEL.

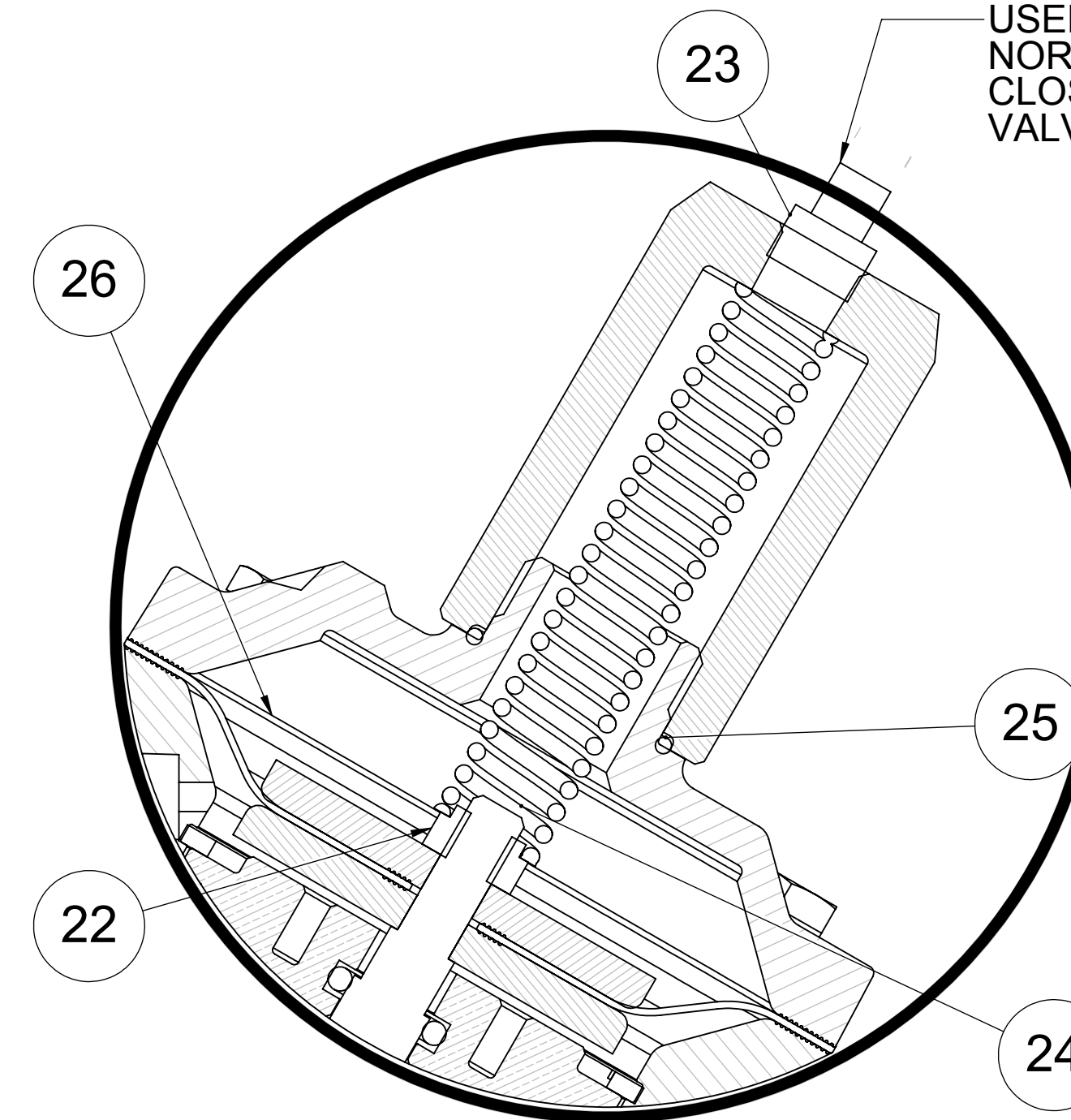
SEE SHEET 1 FOR STANDARD NORMALLY OPEN MODEL



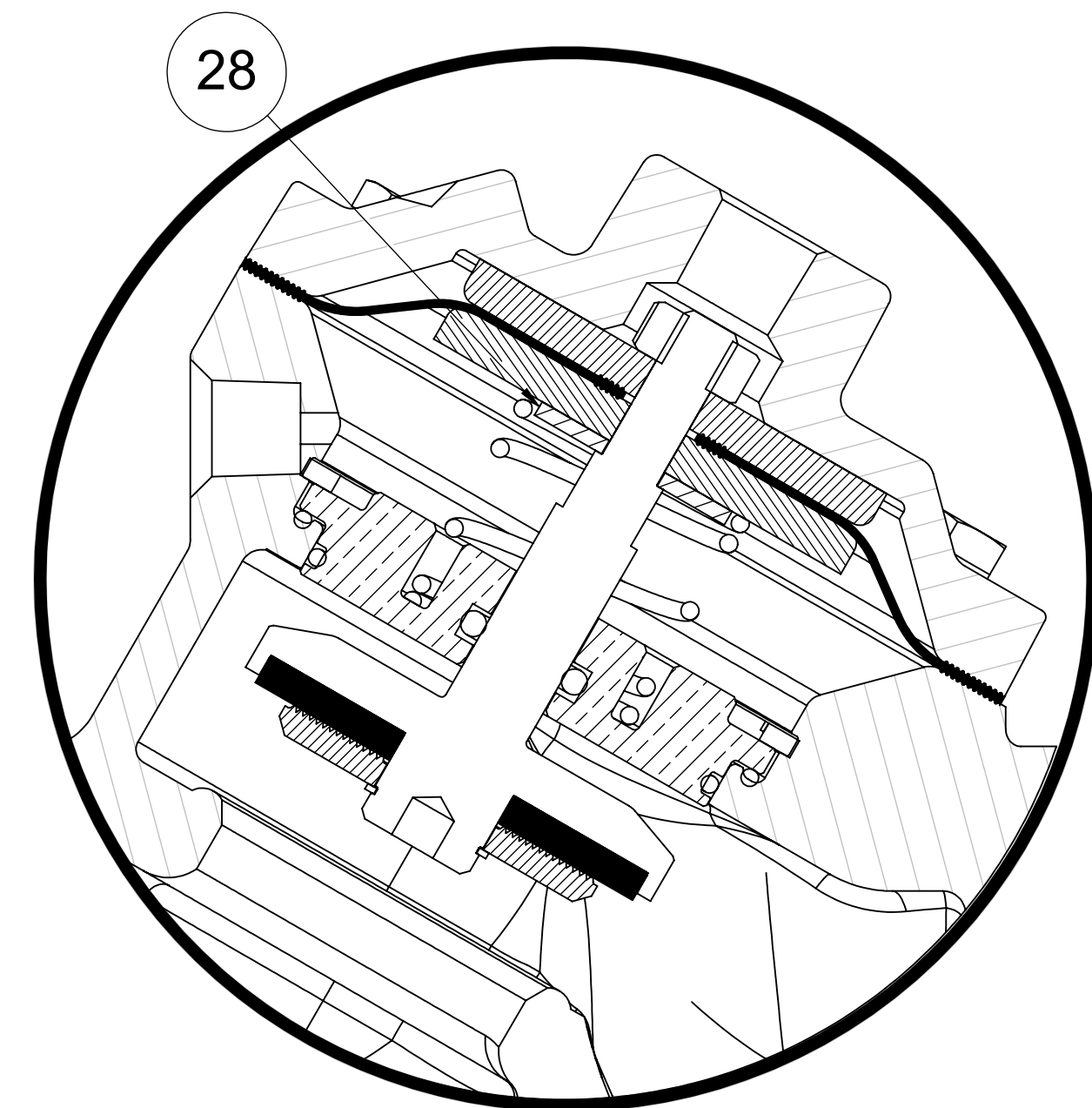
LIMIT STOP
MODEL:V46E-3210-03000 (FLANGED)
MODEL:V46E-0210-03000 (THREADED)



NORMALLY CLOSED
MODEL:V46E-3230-03000 (FLANGED)
MODEL:V46E-0230-03000 (THREADED)



SPRING ASSIST CLOSED
MODEL:V46E-3202-03000 (FLANGED)
MODEL:V46E-0202-03000 (THREADED)



SPRING ASSIST OPEN
MODEL:V46E-3201-03000 (FLANGED)
MODEL:V46E-0201-03000 (THREADED)

REPAIR PARTS KITS	
DESCRIPTION	PART NO.
INT. PARTS KIT (LIMIT STOP) CONSISTS OF STANDARD ITEM NO'S 16, 17, 18	1236781
INT. PARTS KIT (NORMALLY CLOSED) CONSISTS OF STANDARD ITEM NO'S 4, 8, 9(2), 21	1236782
INT. PARTS KIT (SPRING ASSIST CLOSED) CONSISTS OF STANDARD ITEM NO'S 22, 25, 26	1236783
INT. PARTS KIT (SPRING ASSIST OPEN) CONSISTS OF STANDARD ITEM NO'S 28, 29	1236784

CONVERSION KITS	
DESCRIPTION	PART NO.
CONVERSION KIT (LIMIT STOP) CONSISTS OF STANDARD ITEM NO'S 16, 17, 18, 19	1236785
CONVERSION KIT (SPRING ASSIST CLOSED) CONSISTS OF STANDARD ITEM NO'S 22, 23, 24, 25, 26, 27	1236786
CONVERSION KIT (SPRING ASSIST OPEN) CONSISTS OF STANDARD ITEM NO'S 28, 29	1236784

THIS DOCUMENT IS SOLELY THE PROPERTY OF AQ Matic VALVE & CONTROLS COMPANY INC. REPRODUCTION, USE, DISCLOSURE, OR TRANSMISSION OF THIS DOCUMENT OR DETAILS CONTAINED HEREIN, IN PART OR IN WHOLE, IS PROHIBITED WITHOUT THE WRITTEN CONSENT OF AQ Matic ENGINEERING. THIS DOCUMENT AND ANY COPIES SHALL BE RETURNED TO AQ Matic UPON REQUEST.

DO NOT SCALE DRAWING. DIMS. ARE IN INCHES (mm) UNLESS OTHERWISE SPECIFIED.
 1 PLACE .XX ± 0.015 (0.38)
 2 PLACE .XX ± 0.01 (0.3)
 3 PLACE .XXX ± 0.005 (0.13)

THIRD ANGLE PROJECTION	APPROVALS	DATE	 AQ Matic Valve & Controls Company Inc.
APPROVED	NE	12-27-11	
CHECKED			

TITLE: CATALOG SHEET, 464, DIA VALVE STANDARD MODEL
 SIZE: B DWG NO.: BR1236757
 SCALE: 1:1 SHEET 2 OF 2