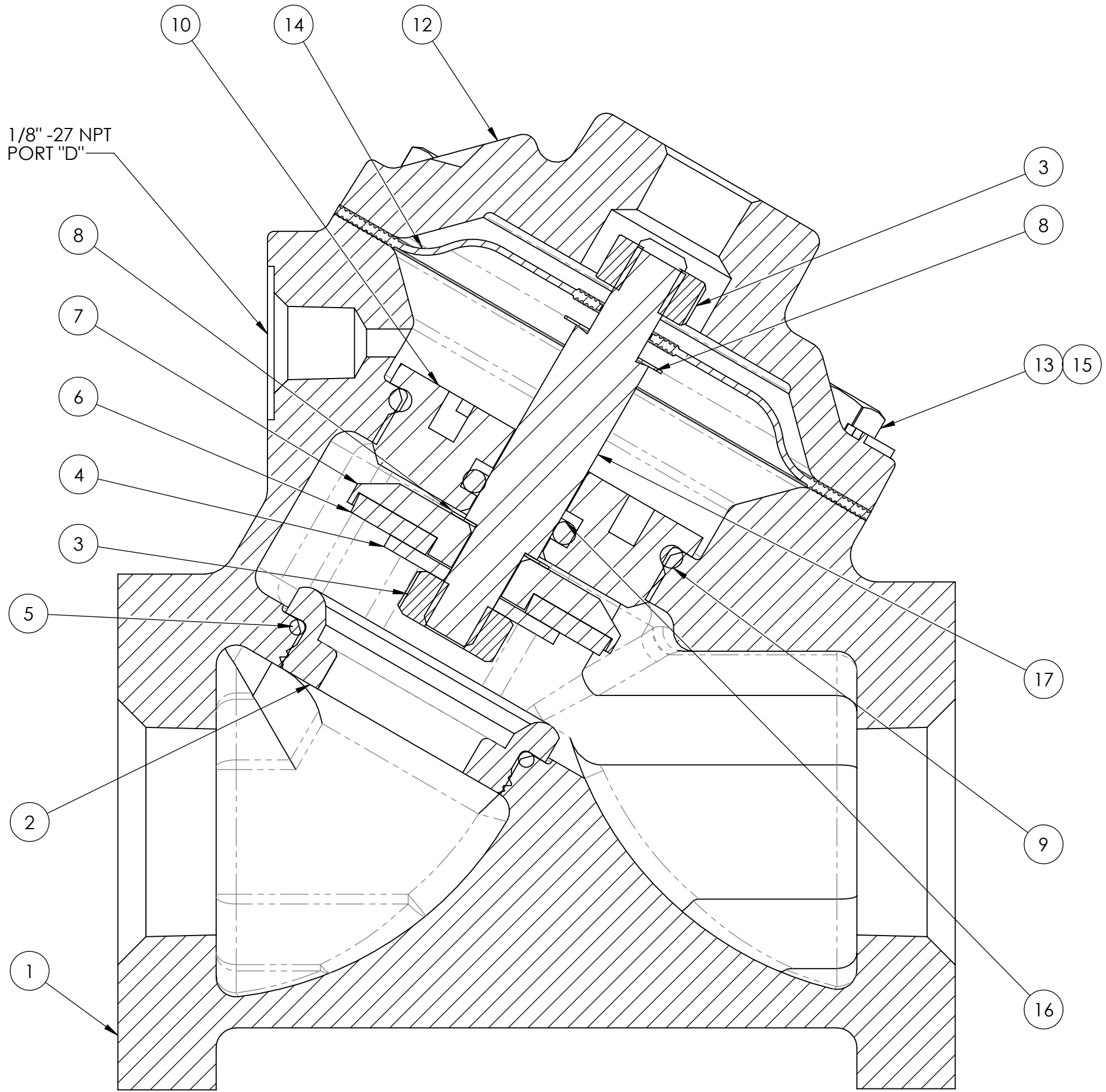


REPAIR PARTS KITS		
DESCRIPTION	PART NO.	
DIAPHRAGM & SEALS KIT CONSISTS OF ITEM NO'S 3(2), 5, 6, 8(2), 9, 14, 16	1070106 (AV1-RA)	1070498 (AV-RAHT)
	INCLUDES DISC 1074144 (421-JH) DIAPHRAGM 1074119	INCLUDES DISC 1074145 (421-JT) DIAPHRAGM 1074120
INT. PARTS KIT (NORM. OPEN) CONSISTS OF STANDARD ITEM NO'S 4, 7, 10, 11(2), 17	1070118 (421-RF)	
SEAT (ITEM NO. 2)	1074158 (421-MO)	

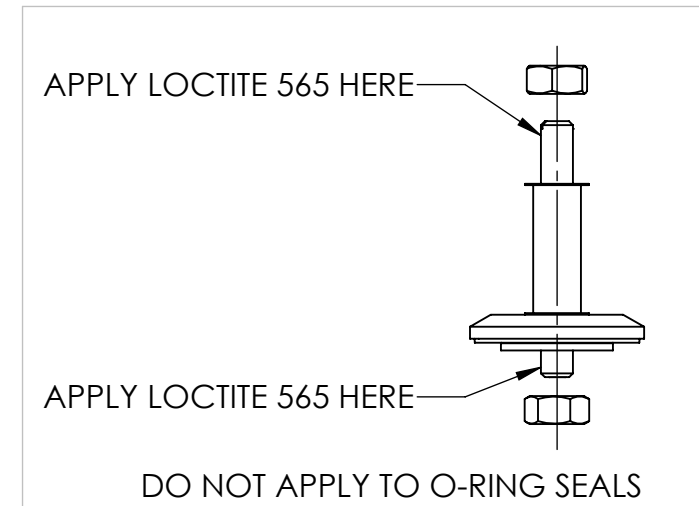
ASSEMBLY TOOLS	
DESCRIPTION	PART NO.
FOR INSTALLATION & REMOVAL OF SEAT (ITEM #2) (TOOL NOT SHOWN)	1074161 (421-MT)
FOR INSTALLATION & REMOVAL OF SHAFT GUIDE (ITEM #10) (TOOL NOT SHOWN)	1074124 (421-GT)

REVISIONS					
ZONE	ECN	REV.	DESCRIPTION	DATE	APP'D
	104236	K	REDRAWN IN SOLIDWORKS	2/6/15	ANH
	1001	M	AQ Matic update & verified part numbers	20JAN17	MGS

NO.	DESCRIPTION	STD	PART NO.	QTY.	
1	VALVE BODY	CAST IRON	3/4" NPT	* 1074085 (421-A3)	1
			1" NPT	* 1074088 (421-A4)	
2	SEAT (REQ'S ASSY TOOL)	BRASS	* 1074158 (421-MO)	1	
3	HEX NUT (1/4-28)	SS	* 1263852	2	
4	DISC PLATE	SS	* 1074149	1	
5	O-RING	FKM	* 1071791 (ORV-024)	1	
6	DISC	HYCAR	* 1074144 (421-JH)	1	
7	DISC HOLDER	SS	* 1074128	1	
8	GASKET	COPPER	* 1073948 (200-GG)	2	
9	O-RING	FKM	* 1071803 (ORV-125)	1	
10	SHAFT GUIDE (REQ'S ASSY TOOL)	SS	* 1074123	1	
11	DIAPHRAGM PLATE	SS	* 43942	2	
12	CAP	CAST IRON	* 1074093 (421-C)	1	
13	HEX SCREW 1/4"-20	PLATED STEEL	* 1072398 (SCZ-0004)	4	
14	DIAPHRAGM	BUNA N	* 1074119	1	
		FKM	1074120		
15	HEX NUT 1/4"-20	PLATED STEEL	* 1071656 (NUZ-0008)	4	
16	O-RING	AFLAS	* 1071661 (ORA-110)	1	
17	SHAFT (NORMALLY OPEN)	SS	* 1074150 (421-L)	1	



- NOTE:
1. AMERICAN NATIONAL STANDARD TAPER PIPE THREADS (NPT) PER ANSI B2.1-1968
 2. VALVES AVAILABLE WITH B.S.P.T. END CONNECTIONS



SEE REVERSE SIDE FOR CONFIGURATION OPTIONS

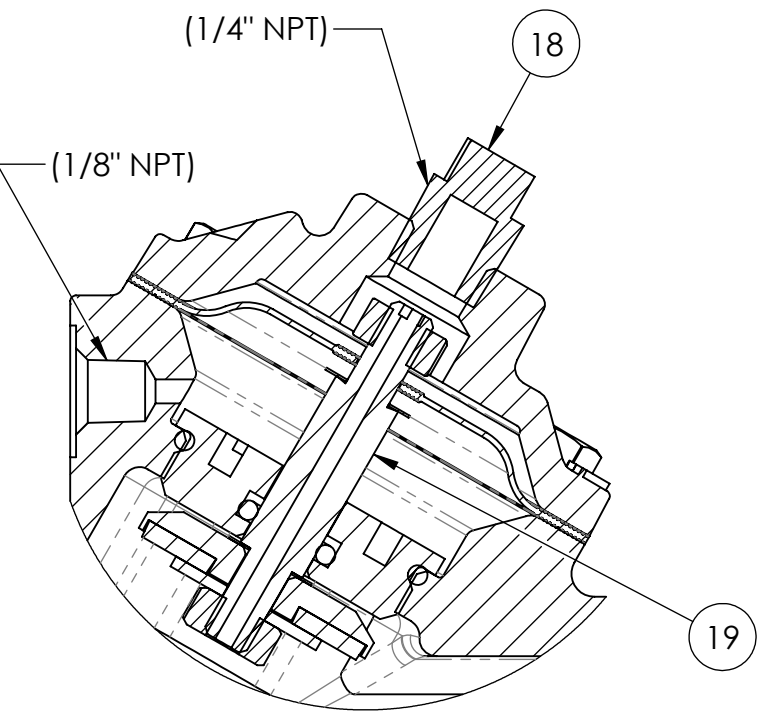
1072459 (VAVB-0000-90000) (3/4" NPT)
1072464 (VAVC-0000-90000) (1" NPT)
NORMALLY OPEN (STANDARD)

COMPONENTS / ASSEMBLIES TO BE COMPLIANT AND COMPATIBLE WITH EUROPEAN UNION DIRECTIVE 2011/65/EEC (RoHS2) & REGULATION (EC)1907/2006 (REACH) REQUIREMENTS

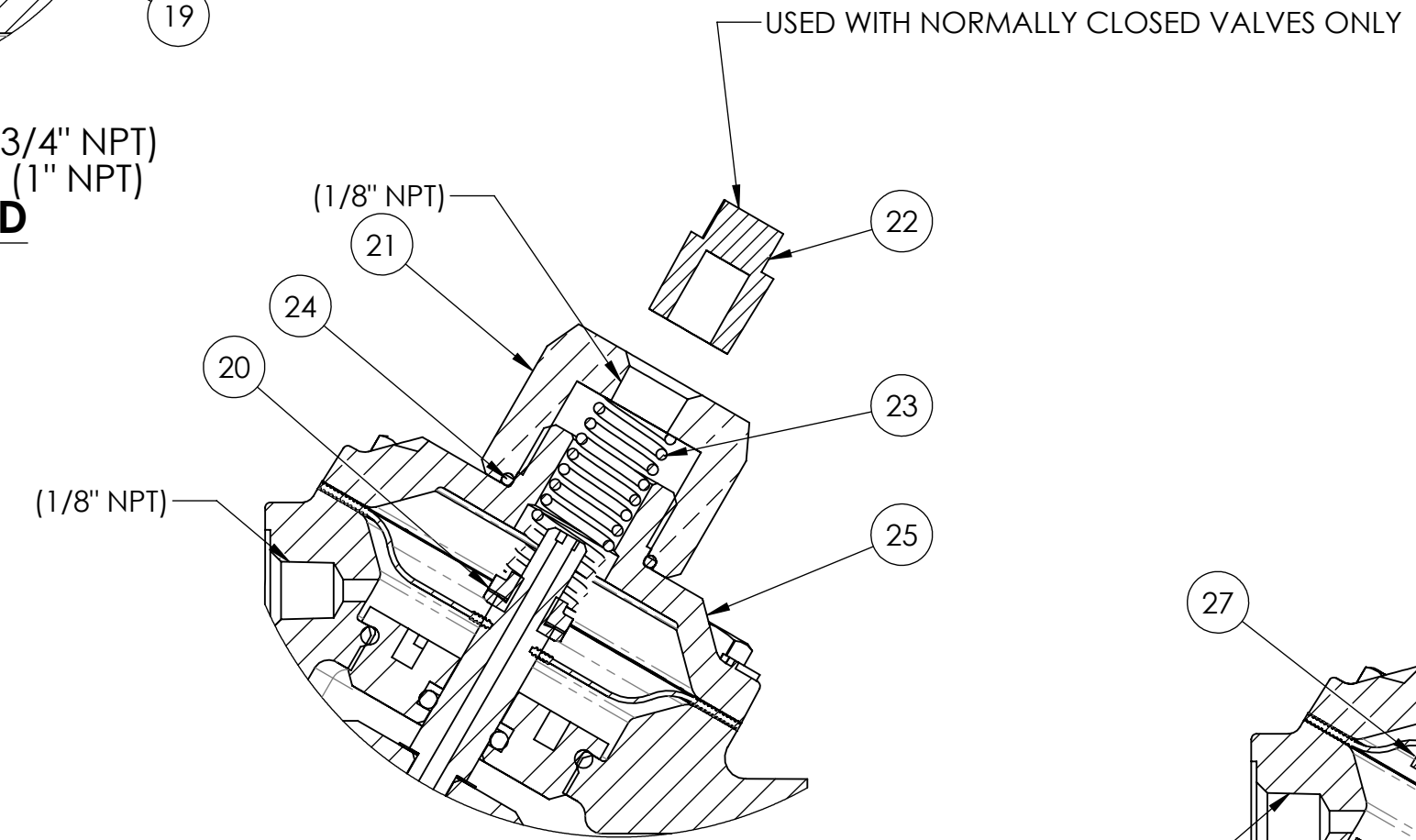
THIS DOCUMENT IS SOLELY THE PROPERTY OF AQ Matic VALVE & CONTROLS COMPANY INC. REPRODUCTION, USE, DISCLOSURE, OR TRANSMISSION OF THIS DOCUMENT OR DETAILS CONTAINED HEREIN, IN PART OR IN WHOLE, IS PROHIBITED WITHOUT THE WRITTEN CONSENT OF AQ Matic ENGINEERING. THIS DOCUMENT AND ANY COPIES SHALL BE RETURNED TO AQ Matic UPON REQUEST.

DO NOT SCALE DRAWING. DIMS. ARE IN INCHES [mm]. INTERPRET DIMS AND TOLERANCES PER ASME Y14.5M-2009 UNLESS OTHERWISE SPECIFIED. ALL FINISHED MACHINED SURFACES 125 ✓ OR BETTER. TOLERANCES:
ANGLES: ± 1°
1 PLACE .X: ± .015 [0.38]
2 PLACE .XX: ± .01 [0.3]
3 PLACE .XXX: ± .005 [0.13]

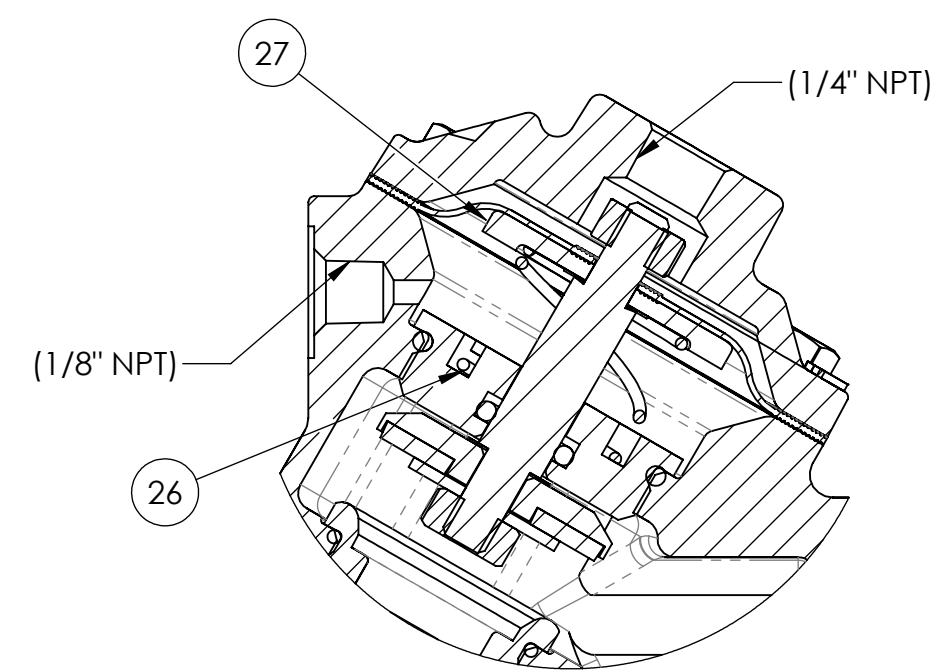
THIRD ANGLE PROJECTION	APPROVALS	DATE	AQ Matic Valve & Controls Company Inc.	
	ANH	2/5/15	TITLE	
			CATALOG SHEET, VAV1, 3/4" & 1" NPT OR BSPT	
			SIZE B	REV M
			DWG NO. 1077635	
			SCALE 1:1	SHEET 1 OF 2



1072462 (VAVB-0030-90000) (3/4" NPT)
 1072469 (VAVC-0030-90000) (1" NPT)
NORMALLY CLOSED



1072461 (VAVB-0002-90000) (3/4" NPT)
 1072467 (VAVC-0002-90000) (1" NPT)
SPRING ASSIST CLOSED



1072456 (VAVB-0001-90000) (3/4" NPT)
 1072460 (VAVC-0001-90000) (1" NPT)
SPRING ASSIST OPEN

REVISIONS					
ZONE	ECN	REV.	DESCRIPTION	DATE	APP'D
			SEE SHEET 1 FOR REVISIONS		

NO.	DESCRIPTION	STD	PART NO.	QTY.
NORMALLY CLOSED MODEL				
18	PIPE PLUG (1/4" N.P.T.)	PLATED STEEL	* 1071918 (PLZ-0008)	1
19	SHAFT (NORMALLY CLOSED)		* 1074153 (421-LL)	1
SPRING ASSIST CLOSED MODEL				
20	CENTERING NUT		* 1074185 (421-X)	1
21	RETAINER NUT	BRASS	* 1074183 (421-TT)	1
22	PIPE PLUG (1/8" N.P.T.)	BRASS	* 1071903 (PLB-0007)	1
23	SPRING		* 1078602	1
24	O-RING		* 1071674 (ORB-020)	1
25	CAP	CAST IRON	* 1074099 (421-CC)	1
SPRING ASSIST OPEN MODEL				
26	SPRING		* 1078608	1
27	DIAPHRAGM PLATE, SAO	SS	* 43727	1

REPAIR PARTS KITS	
DESCRIPTION	PART NO.
INT. PARTS KIT (NORM. CLOSED) CONSISTS OF STANDARD ITEM NO'S 4, 7, 10, 11(2), 19	1070129 (421-RG)
INT. PARTS KIT (SPRING ASSIST CLOSED) CONSISTS OF STANDARD ITEM NO'S 20, 23, 24	1074176 (421-SC)
INT. PARTS KIT (SPRING ASSIST OPEN) CONSISTS OF STANDARD ITEM NO'S 4, 8, 26	1074178 (421-SO)

CONVERSION KITS	
DESCRIPTION	PART NO.
CONVERSION KIT (SPRING ASSIST CLOSED) CONSISTS OF STANDARD ITEM NO'S 20 THRU 25	1074177 (421-SCC)
CONVERSION KIT (SPRING ASSIST OPEN) CONSISTS OF STANDARD ITEM NO'S 4, 8, 10, 26	1074179 (421-SOC)

COMPONENTS / ASSEMBLIES TO BE COMPLIANT AND COMPATIBLE WITH EUROPEAN UNION DIRECTIVE 2011/65/EEC (RoHS2) & REGULATION (EC) 1907/2006 (REACH) REQUIREMENTS

THIS DOCUMENT IS SOLELY THE PROPERTY OF AQ Matic VALVE & CONTROLS COMPANY INC. REPRODUCTION, USE, DISCLOSURE, OR TRANSMISSION OF THIS DOCUMENT OR DETAILS CONTAINED HEREIN, IN PART OR IN WHOLE, IS PROHIBITED WITHOUT THE WRITTEN CONSENT OF AQ Matic ENGINEERING. THIS DOCUMENT AND ANY COPIES SHALL BE RETURNED TO AQ Matic UPON REQUEST.

DO NOT SCALE DRAWING. DIMS. ARE IN INCHES [mm]
 INTERPRET DIMS AND TOLERANCES PER ASME Y14.5M -2009
 UNLESS OTHERWISE SPECIFIED:
 ALL FINISHED MACHINED SURFACES 125 ✓ OR BETTER.
 TOLERANCES:
 ANGLES: ± 1°
 1 PLACE .X: ± .015 [0.38]
 2 PLACE .XX: ± .01 [0.3]
 3 PLACE .XXX: ± .005 [0.13]

THIRD ANGLE PROJECTION	APPROVALS	DATE	 AQ Matic Valve & Controls Company Inc.
	ANH	2/5/15	
	APPROVED		
	CHECKED		

TITLE: CATALOG SHEET, VAV1, 3/4" & 1" NPT OR BSPT

SIZE: **B** DWG NO.: 1077635 REV: M

SCALE: 1:1 SHEET 2 OF 2

SEE REVERSE SIDE FOR
 NORMALLY OPEN MODEL