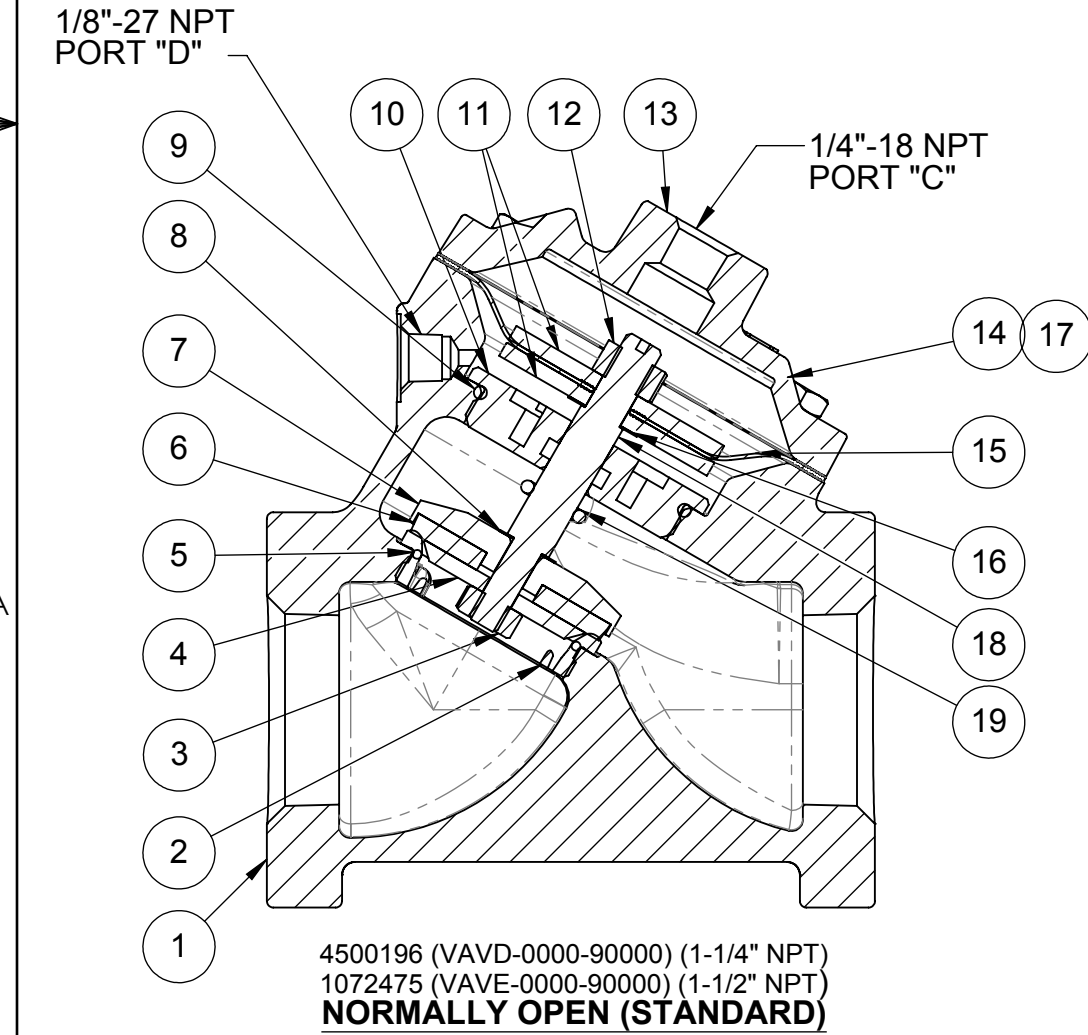
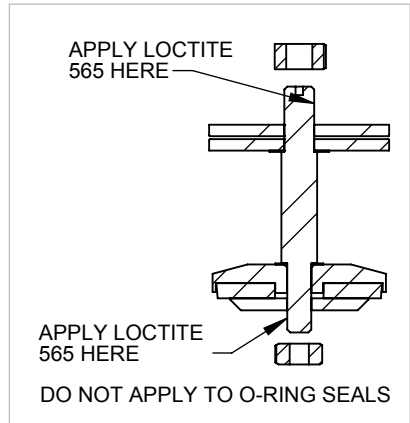


REPAIR PARTS KITS		
DISCRIPTION	PART NO.	
DIAPHRAGM & SEALS KIT CONSISTS OF ITEM NO'S 3, 5, 6, 8, 9, 12, 15, 16, 18	1070107 (AV4-RA)	1070502 (AV4-RAHT)
	INCLUDES DISC 1074234 (424-JH) DIAPHRAGM 1074222 (424-FB)	INCLUDES DISC 1074235 (424-JT) DIAPHRAGM 1074224 (424-FV)
INT. PARTS KIT (NORM. OPEN) CONSISTS OF STANDARD ITEM NO'S 4, 7, 10, 11(2), 19	1070119 (424-RF)	
SEAT (ITEM NO 2)	1074245 (424-MO)	

ASSEMBLY TOOLS	
DESCRIPTION	PART NO.
FOR INSTALLATION & REMOVAL OF SEAT (ITEM NO. 2) (TOOL NOT SHOWN)	1074247 (424-MT)
FOR INSTALLATION & REMOVAL OF SHAFT GUIDE (ITEM NO. 10) (TOOL NOT SHOWN)	1074227 (424-GT)

- NOTE:
- AMERICAN NATIONAL STANDARD TAPER PIPE THREADS (NPT) PER ANSI B2.1-1968
 - VALVES AVAILABLE WITH B.S.P.T. END CONNECTIONS.



4500196 (VAVD-0000-90000) (1-1/4" NPT)
1072475 (VAVE-0000-90000) (1-1/2" NPT)
NORMALLY OPEN (STANDARD)

REVISIONS

ZONE	ECN	REV.	DESCRIPTION	DATE	APP'D
	104291	G	REDRAWN IN SOLIDWORKS-1-ITEM# 4- WAS:1074237, 2-ITEM#7-WAS:1074229, 3-ITEM #10-WAS: 1074225, 4-ITEM#11-WAS: 1074220- FORM# NOW DWG NUMBER	3/3/15	ANH
	104479	H	1- ITEM #11 WAS: 1074221	07APR15	TJM
	1001	J	AQ Matic update & verified part numbers	17JAN17	MGS

NO.	DESCRIPTION	STD	PART NO.	QTY.
1	VALVE BODY, CI	1-1/4" NPT	1074196 (424-A5)	1
		1-1/2" NPT	1074199 (424-A6)	1
2	SEAT (REQ'S ASSY TOOL)	BRASS	1074245 (424-MO)	1
3	HEX NUT (1/4-28)		1263852	1
4	DISC PLATE	STAINLESS STEEL	1074238	1
5	O-RING	FKM	1071793 (ORV-028)	1
6	DISC	HYCAR	1074234 (424-JH)	1
		GLASS FILLED TEFLON	1074235 (424-JT)	1
7	DISC HOLDER	STAINLESS STEEL	1074231	1
8	GASKET	COPPER	1073948 (200-GG)	1
9	O-RING	FKM	1071806 (ORV-132)	1
10	SHAFT GUIDE	STAINLESS STEEL	1074226	1
11	DIAPHRAGM PLATE	STAINLESS STEEL	43943	2
12	HEX NUT (5/16-24)		1263853	1
13	CAP	CAST IRON	1074202 (424-C)	1
14	HEX SCREW 1/4"-20	PLATED STEEL	1072399 (SCZ-0007)	4
		BUNA N	1074222 (424-FB)	1
15	DIAPHRAGM	FKM	1074224 (424-FV)	1
		COPPER	1074252 (424-R)	1
16	GASKET	COPPER	1074252 (424-R)	1
17	HEX NUT 1/4"-20	PLATED STEEL	1071656 (NUZ-0008)	4
18	O-RING	AFLAS	1071661 (ORA-110)	1
19	SHAFT (NORMALLY OPEN)		1074239 (424-L)	1

SEE SHEET 2 FOR CONFIGURATION OPTIONS

COMPONENTS / ASSEMBLIES TO BE COMPLIANT AND COMPATIBLE WITH EUROPEAN UNION DIRECTIVE 2011/65/EEC (RoHS2) & REGULATION (EC)1907/2006 (REACH) REQUIREMENTS

THIS DOCUMENT IS SOLELY THE PROPERTY OF AQ Matic VALVE & CONTROLS COMPANY INC. REPRODUCTION, USE DISCLOSURE, OR TRANSMISSION OF THIS DOCUMENT OR DETAILS CONTAINED HEREIN, IN PART OR IN WHOLE, IS PROHIBITED WITHOUT THE WRITTEN CONSENT OF AQ Matic ENGINEERING. THIS DOCUMENT AND ANY COPIES SHALL BE RETURNED TO AQ Matic UPON REQUEST.

DO NOT SCALE DRAWING. DIMS. ARE IN INCHES [mm]
INTERPRET DIMS AND TOLERANCES PER ASME Y14.5M -2009
UNLESS OTHERWISE SPECIFIED:
ALL FINISHED MACHINED SURFACES 125 ✓ OR BETTER.
TOLERANCES:
ANGLES: ± 1°
1 PLACE .X: ± .015 [0.38]
2 PLACE .XX: ± .01 [0.3]
3 PLACE .XXX: ± .005 [0.13]

THIRD ANGLE PROJECTION

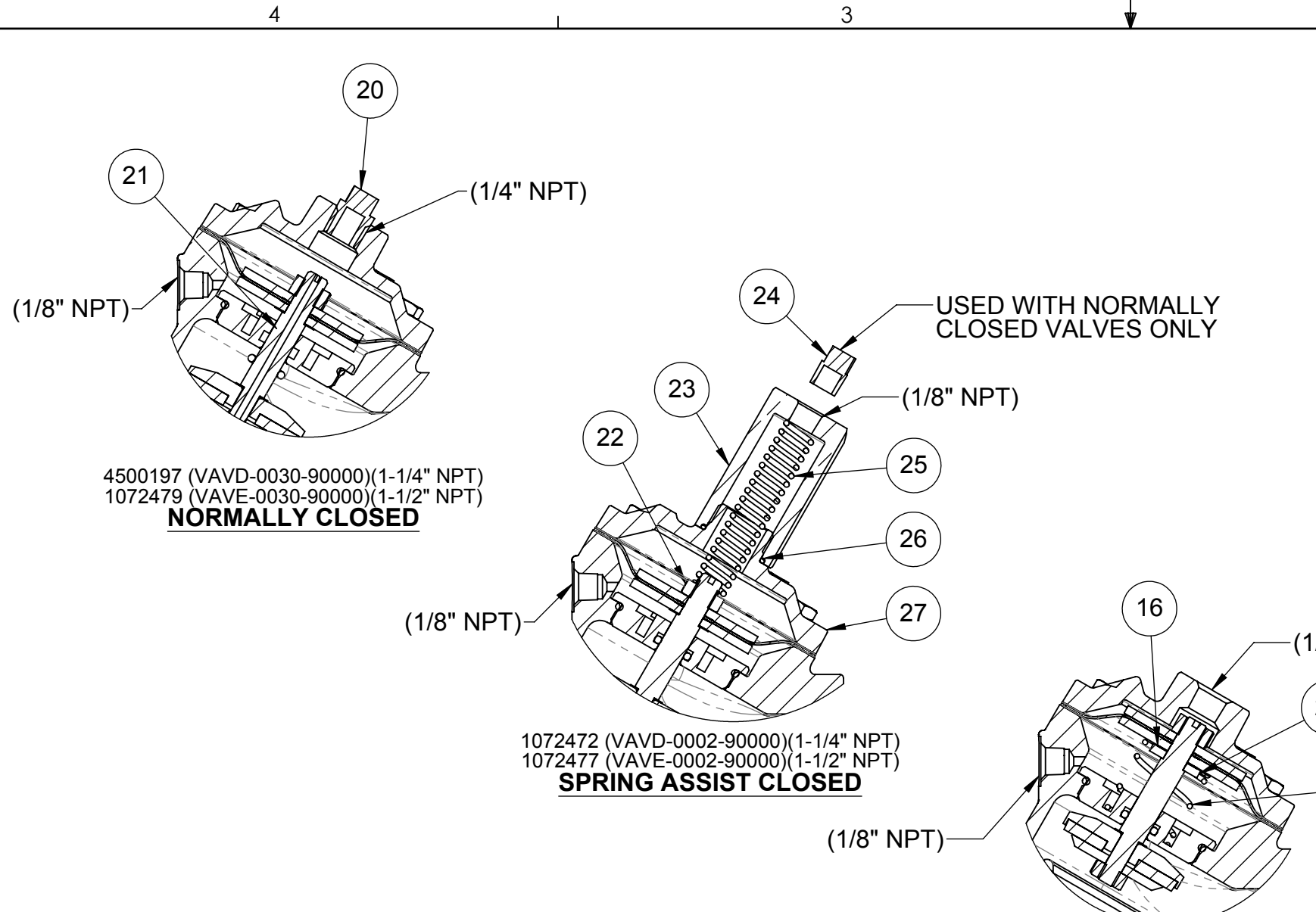
APPROVALS	DATE
DRAWN ANH	2/20/15
APPROVED	
CHECKED	

AQ Matic Valve & Controls Company Inc.

TITLE: **CATALOG SHEET, AV4, DIAPHRAGM VALVE**

SIZE **B** DWG NO. **1077636** REV **J**

SCALE 1:2 SHEET 1 OF 2



4500197 (VAVD-0030-90000)(1-1/4" NPT)
 1072479 (VAVE-0030-90000)(1-1/2" NPT)
NORMALLY CLOSED

1072472 (VAVD-0002-90000)(1-1/4" NPT)
 1072477 (VAVE-0002-90000)(1-1/2" NPT)
SPRING ASSIST CLOSED

1072471 (VAVD-0001-90000)(1-1/4" NPT)
 1070064 (VAVE-0001-90000)(1-1/2" NPT)
SPRING ASSIST OPEN

REVISIONS					
ZONE	ECN	REV.	DESCRIPTION	DATE	APP'D
			SEE SHEET 1 FOR REVISIONS		

NO.	DESCRIPTION	STD	PART NO.	QTY.
NORMALLY CLOSED MODEL				
20	PIPE PLUG (1/4" N.P.T.) PLATED STEEL	*	1071918 (PLZ-0008)	1
21	SHAFT (NORMALLY CLOSED)	*	1074241 (424-LL)	1
SPRING ASSIST CLOSED MODEL				
22	CENTERING NUT	*	1074276 (424-X)	1
23	RETAINER NUT BRASS	*	1074274 (424-TT)	1
24	PIPE PLUG (1/8" N.P.T.) BRASS	*	1071903 (PLB-0007)	1
25	SPRING	*	1074270 (424-SS)	1
26	O-RING	*	1071674 (ORB-020)	1
27	CAP CAST IRON	*	1074208 (424-CC)	1
SPRING ASSIST OPEN MODEL				
16	GASKET COPPER	*	1074252 (424-R)	1
28	SPRING	*	1236766	1
29	CENTERING WASHER BRASS	*	1074382 (426-HA)	1

REPAIR PARTS KIT	
DESCRIPTION	PART NO.
INT. PARTS KIT (NORM. CLOSED) CONSISTS OF STANDARD ITEM NO'S 4, 7, 10, 11(2), 21	1070130 (424-RG)
INT. PARTS KIT (SPRING ASSIST CLOSED) CONSISTS OF STANDARD ITEM NO'S 22, 25, 26	1074265 (424-SC)
INT. PARTS KIT (SPRING ASSIST OPEN) CONSISTS OF STANDARD ITEM NO'S 16, 28, 29	1074268 (424-SO)

CONVERSION KITS	
DESCRIPTION	PART NO.
CONVERSION KIT (SPRING ASSIST CLOSED) CONSISTS OF STANDARD ITEM NO'S 22 THRU 27	1074266 (424-SCC)
CONVERSION KIT (SPRING ASSIST OPEN) CONSISTS OF STANDARD ITEM NO'S 10, 16, 28, 29	1074269 (424-SOC)

COMPONENTS / ASSEMBLIES TO BE COMPLIANT AND COMPATIBLE WITH EUROPEAN UNION DIRECTIVE 2011/65/EEC (RoHS2) & REGULATION (EC)1907/2006 (REACH) REQUIREMENTS

THIS DOCUMENT IS SOLELY THE PROPERTY OF AQ Matic VALVE & CONTROLS COMPANY INC. REPRODUCTION, USE DISCLOSURE, OR TRANSMISSION OF THIS DOCUMENT OR DETAILS CONTAINED HEREIN, IN PART OR IN WHOLE, IS PROHIBITED WITHOUT THE WRITTEN CONSENT OF AQ Matic ENGINEERING. THIS DOCUMENT AND ANY COPIES SHALL BE RETURNED TO AQ Matic UPON REQUEST.

DO NOT SCALE DRAWING. DIMS. ARE IN INCHES [mm]
 INTERPRET DIMS AND TOLERANCES PER ASME Y14.5M -2009 UNLESS OTHERWISE SPECIFIED:
 ALL FINISHED MACHINED SURFACES 125 OR BETTER.
 TOLERANCES:
 ANGLES: ± 1°
 1 PLACE .X: ± .015 [0.38]
 2 PLACE .XX: ± .01 [0.3]
 3 PLACE .XXX: ± .005 [0.13]

THIRD ANGLE PROJECTION	
APPROVALS	DATE
DRAWN ANH	2/20/15
APPROVED	
CHECKED	

AQ Matic Valve & Controls Company Inc.

TITLE: **CATALOG SHEET, AV4, DIAPHRAGM VALVE**

SIZE **B** DWG NO. **1077636** REV **J**

SCALE 1:2 SHEET 2 OF 2

SEE SHEET 1 FOR STANDARD NORMALLY OPEN MODEL