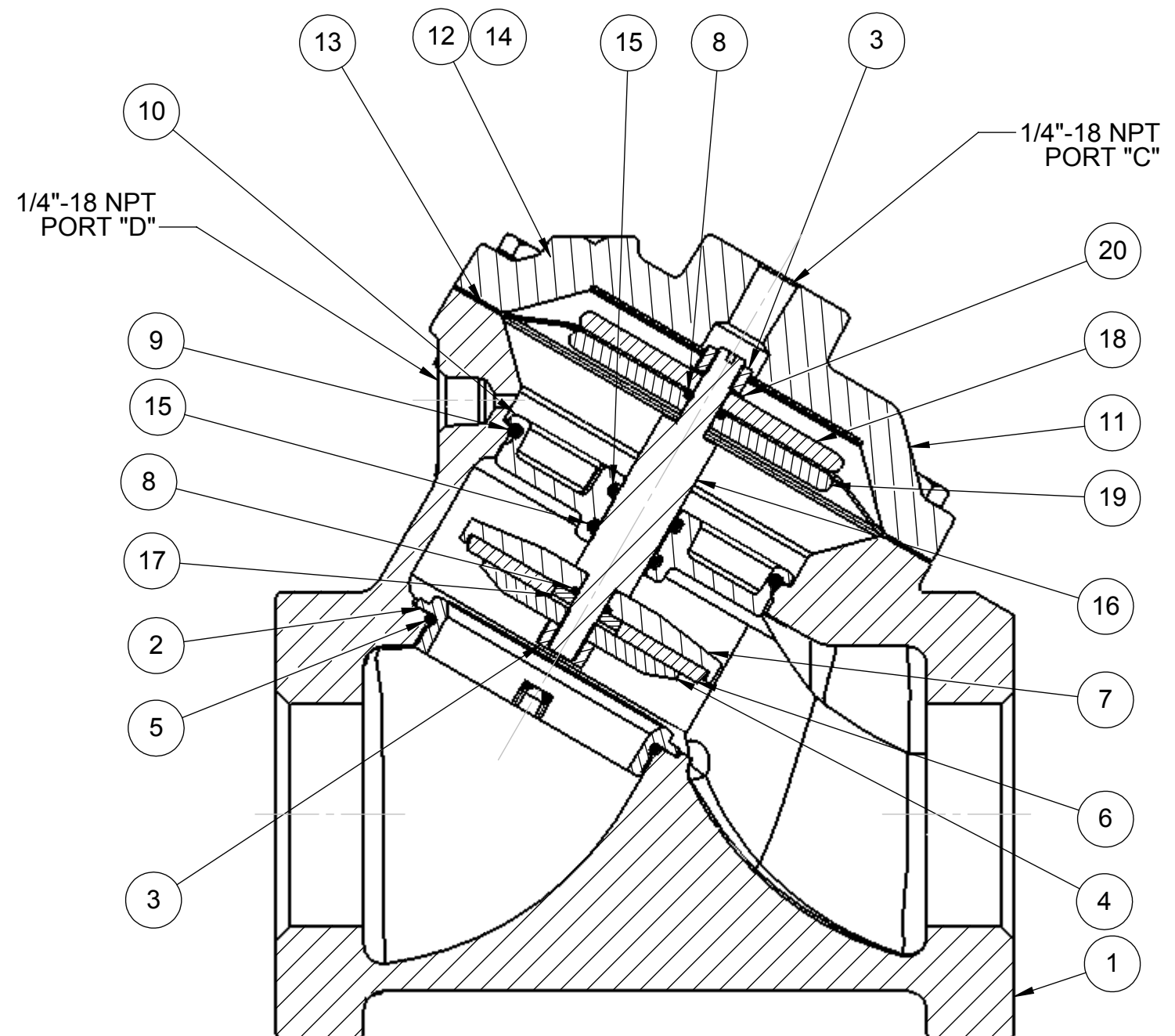
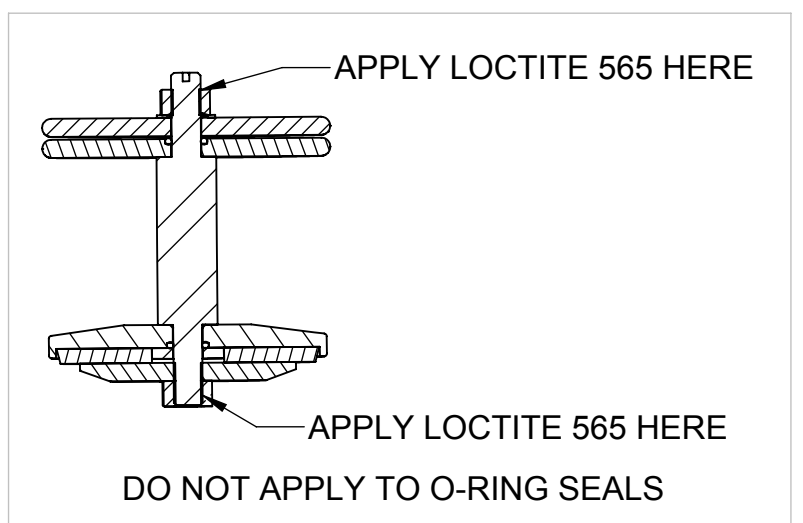


[MILLIMETERS]
INCHES

NOTE:
 1. AMERICAN NATIONAL STANDARD TAPER PIPE THREADS (NPT) PER ANSI B2.1-1968.
 2. VALVES AVAILABLE WITH B.S.P.T. END CONNECTIONS.



1072489 (VAVG-0000-90000) (2"NPT)
 1072495 (VAVH-0000-90000) (2-1/2"NPT)
NORMALLY OPEN (STANDARD)



| REVISIONS | | | | | |
|-----------|--------|------|---|----------|-------|
| ZONE | ECN | REV. | DESCRIPTION | DATE | APP'D |
| | 102071 | K | REDRAWN IN SOLID WORKS 1-WAS 1074377 | 06-07-13 | NBE |
| | 102740 | L | 1-WAS: 1074377, NOW: 43244 | 28APR14 | TJM |
| | 103665 | M | 1-MOVED ITEM 20 FROM BOTTOM OF SHAFT TO TOP. | 19AUG14 | TJM |
| | 103882 | N | 1- ROTATED CAP SO PORT IS AT INLET SIDE IN ALL VIEWS. 2- UPDATED TITLE BLOCK | 16OCT14 | TJM |
| | 103964 | P | 1-ITEM #20 WAS: 1073594 | 07NOV14 | TJM |

| ITEM NO. | DESCRIPTION | PART NUMBER | QTY. |
|----------|-----------------------------------|-------------|---------|
| 1 | BODY, 426 (CAST IRON) | 2" NPT | 1074343 |
| | | 2 1/2" NPT | 1081559 |
| 2 | SEAT, 426, BRASS* | 1074409 | 1 |
| 3 | NUT, HEX, 5/16"-24 ,SS | 1263853 | 2 |
| 4 | DISC PLATE, BRASS | 1074396 | 1 |
| 5 | O-RING, -144 | FKM | 1071809 |
| | | HYCAR | 1074392 |
| 6 | DISC, 426 | TEFLON | 1074393 |
| | | | |
| 7 | HOLDER, DISC, AV6, BRASS | 1074383 | 1 |
| 8 | O-RING, -011 | FKM | 1071786 |
| 9 | O-RING, -233 | FKM | 1071826 |
| 10 | GUIDE, 426 SHAFT* | 1074378 | 1 |
| 11 | CAP, 426, NPT, (CAST IRON) | 1081560 | 1 |
| 12 | SCREW, HEX HD CAP, 5/16-18X1-3/8 | 1072401 | 6 |
| 13 | DIAPHRAGM, 426 | BUNA | 1074374 |
| | | FKM | 1074376 |
| 14 | HEX NUT, 5/16"-18, PLATED | 1071657 | 6 |
| 15 | O-RING, -114 | ALFAS | 1071662 |
| 16 | SHAFT, 426, NO | 1074401 | 1 |
| 17 | SPACER, BRASS | 1074382 | 1 |
| 18 | PLATE, DIAPHRAGM, UPPER, SS | 1074371 | 1 |
| 19 | PLATE, DIAPHRAGM, LOWER, SS | 1074372 | 1 |
| 20 | LOCKWASHER, 5/16", INTERNAL TOOTH | 1073590 | 1 |

*REQUIRES ASSEMBLY TOOL

| ASSEMBLY TOOLS | |
|---|--------------------|
| DESCRIPTION | PART NO. |
| FOR INSTALLATION & REMOVAL OF SEAT (ITEM #2) (TOOL NOT SHOWN) | 1074411 (426-MT) |
| FOR INSTALLATION & REMOVAL OF SHAFT GUIDE (ITEM #10) (TOOL NOT SHOWN) | 1-3/16" HEX SOCKET |

| REPAIR PARTS KITS | | |
|--|---|--------------------|
| DESCRIPTION | PART NO. | |
| DIAPHRAGM & SEAL KIT CONSISTS OF ITEM NO'S 3(2), 5, 6, 8(2), 9, 13, & 15(2) | 1070109 (AV6-RA) | 1070510 (AV6-RAHT) |
| | INCLUDES DISC P/N 1074392 (HYCAR) AND DIAPHRAGM P/N 1074374 (BUNA N) | |
| INT. PARTS KIT (NORM. OPEN) CONSIST OF STANDARD ITEM NO'S 4, 7, 10, 16, 17, 18, 19 | 10705011 (AV6-RF) | |
| SEAT (ITEM NO. 2) | 1074407 | |

SEE REVERSE SIDE FOR CONFIGURATION OPTIONS

COMPONENTS / ASSEMBLIES TO BE COMPLIANT AND COMPATIBLE WITH EUROPEAN UNION DIRECTIVE 2011/65/EEC (RoHS2) & REGULATION (EC)1907/2006 (REACH) REQUIREMENTS

THIS DOCUMENT IS SOLELY THE PROPERTY OF AQ Matic VALVE & CONTROLS COMPANY INC. REPRODUCTION, USE, DISCLOSURE, OR TRANSMISSION OF THIS DOCUMENT OR DETAILS CONTAINED HEREIN, IN PART OR IN WHOLE, IS PROHIBITED WITHOUT THE WRITTEN CONSENT OF AQ Matic ENGINEERING. THIS DOCUMENT AND ANY COPIES SHALL BE RETURNED TO AQ Matic UPON REQUEST.

DO NOT SCALE DRAWING. DIMS. ARE IN INCHES [mm] INTERPRET DIMS AND TOLERANCES PER ASME Y14.5M-2009 UNLESS OTHERWISE SPECIFIED.
 ALL FINISHED MACHINED SURFACES 125 ✓ OR BETTER.
 TOLERANCES:
 ANGLES: ± 1°
 1 PLACE .X: ± .015 [0.38]
 2 PLACE .XX: ± .01 [0.3]
 3 PLACE .XXX: ± .005 [0.13]

| | |
|------------------------|------|
| THIRD ANGLE PROJECTION | DATE |
| APPROVALS | |
| DRAWN | |
| APPROVED | |
| CHECKED | |

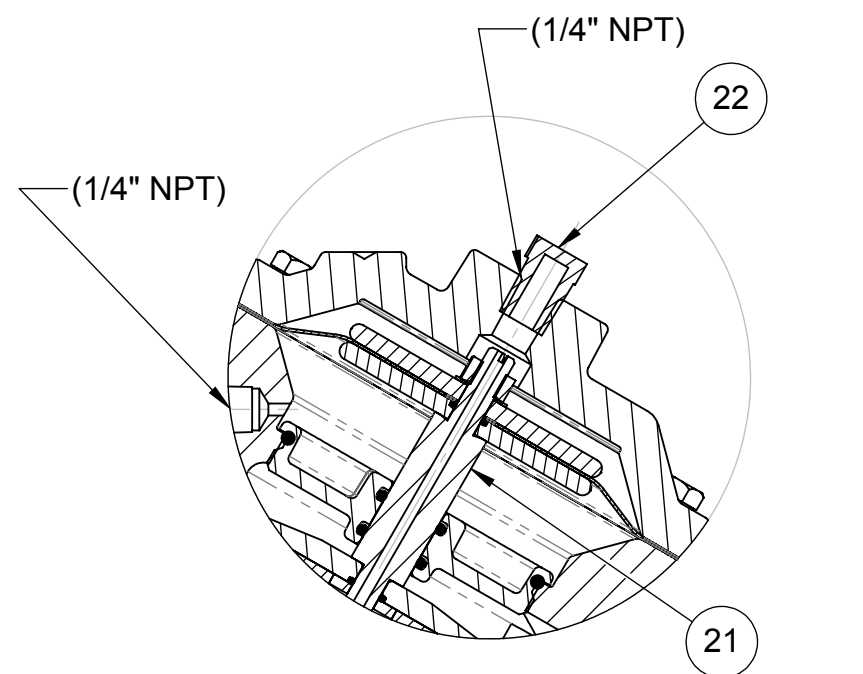
AQ Matic Valve & Controls Company Inc.

TITLE: CATALOG SHEET, AV6 DIAPHRAGM VALVE STANDARD MODEL

SIZE: B DWG NO.: BR1077638 REV: Q

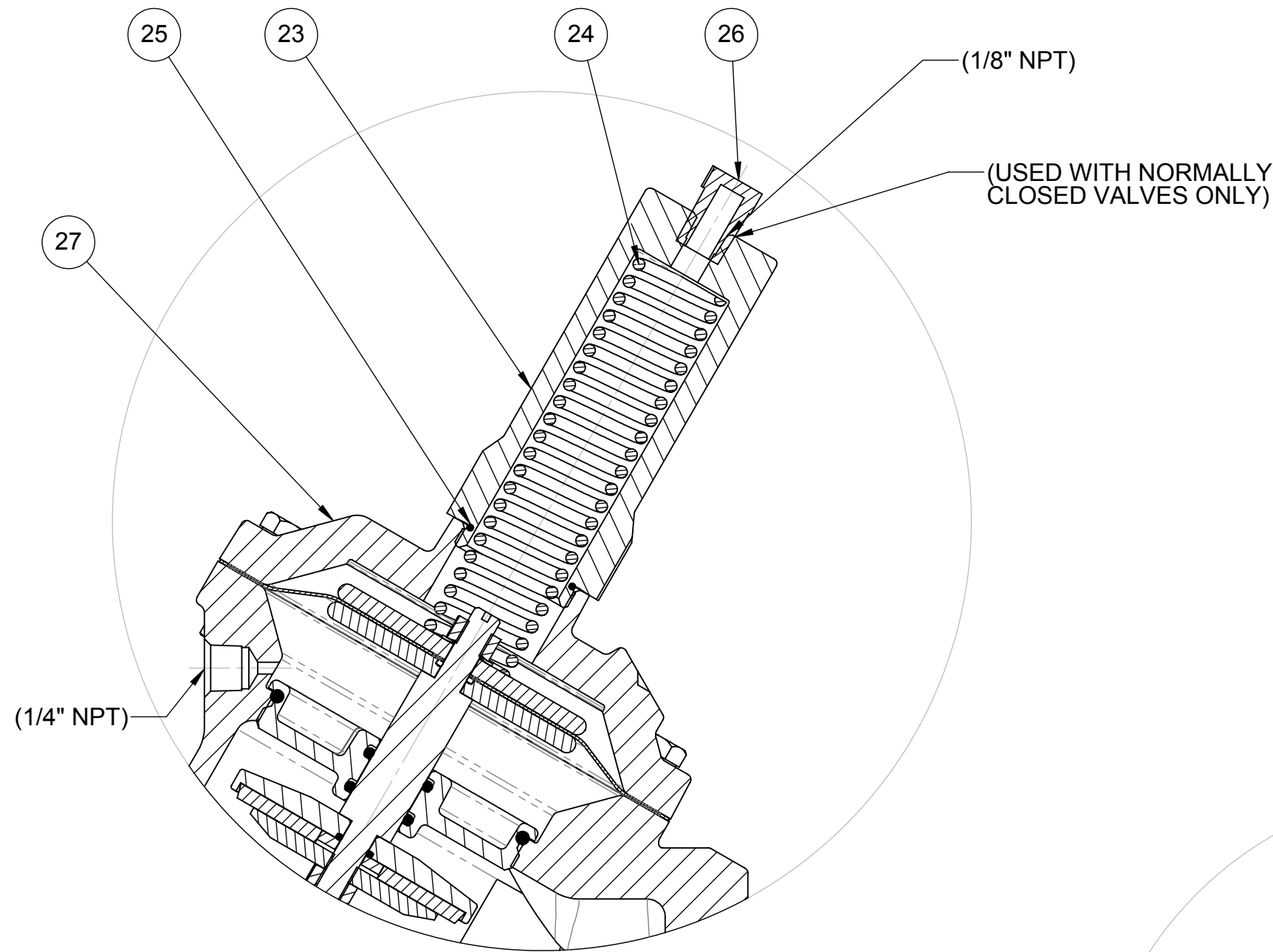
SCALE: 1:2 SHEET 1 OF 2

| REVISIONS | | | | | |
|-----------|------|------|---|---------|-------|
| ZONE | ECN | REV. | DESCRIPTION | DATE | APP'D |
| | 1001 | Q | AQ Matic update & verified part numbers | 17JAN17 | MGS |
| | | | | | |
| | | | | | |
| | | | | | |



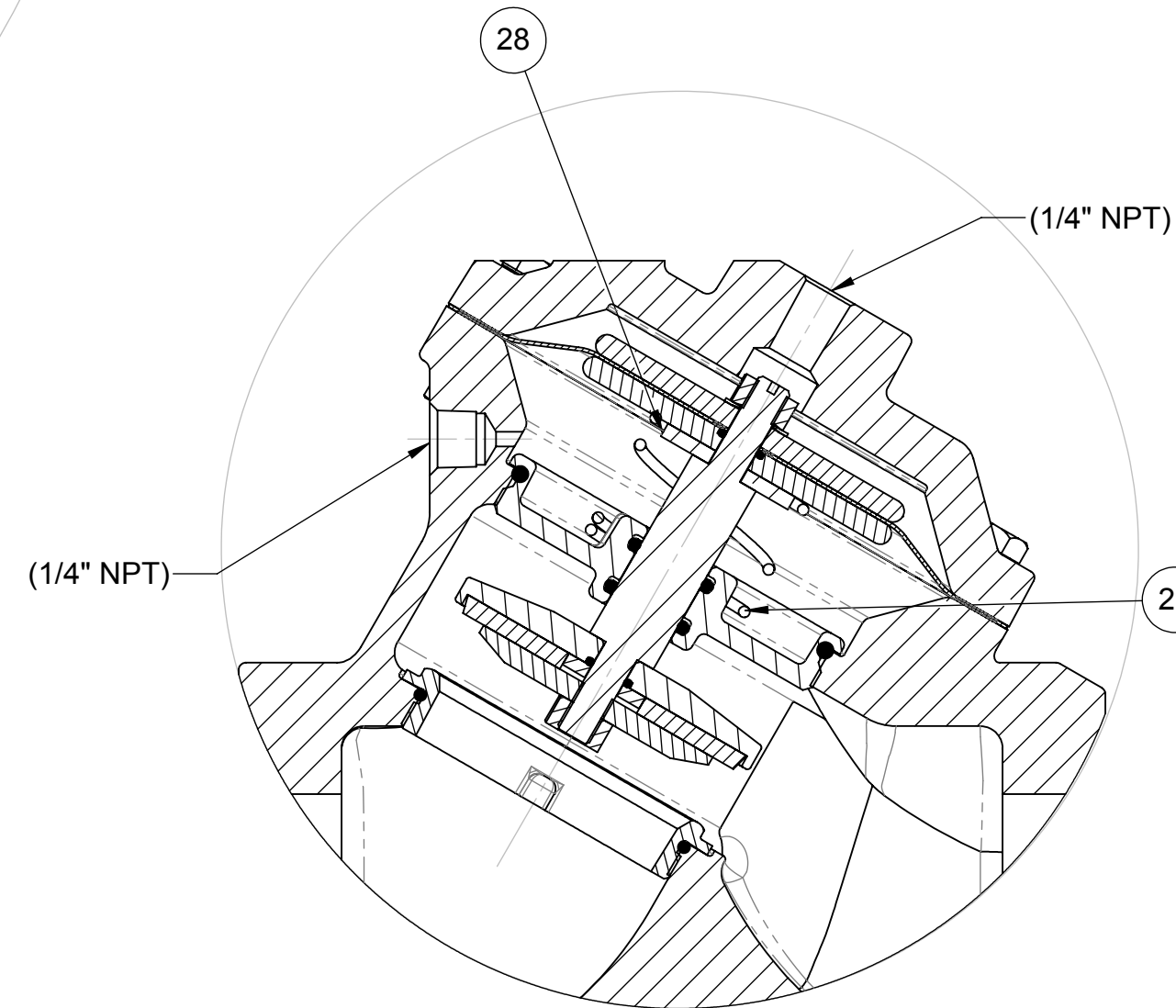
3026107 (VAVG-0030-90000) (2" NPT)
1080794 (VAVH-0030-90000) (2-1/2" NPT)

NORMALLY CLOSED



1077120 (VAVG-0002-90000) (2" NPT)
1072498 (VAVH-0002-90000) (2-1/2" NPT)

SPRING ASSIST CLOSED



1072491 (VAVG-0001-90000) (2" NPT)
1072497 (VAVH-0001-90000) (2-1/2" NPT)

SPRING ASSIST OPEN

| NORMALLY CLOSED MODEL | | | |
|-----------------------|------|-------------|-----------------------|
| ITEM NO. | QTY. | PART NUMBER | DESCRIPTION |
| 21 | 1 | 43169 | SHAFT, 426, NC |
| 22 | 1 | 1071918 | PLUG, PIPE, 1/4" MNPT |

| SPRING ASSIST CLOSED MODEL | | | |
|----------------------------|------|-------------|--------------------------------|
| ITEM NO. | QTY. | PART NUMBER | DESCRIPTION |
| 23 | 1 | 1074431 | SPRING RETAINER NUT, 425 & 426 |
| 24 | 1 | 1074429 | COMPRESSION SPRING |
| 25 | 1 | 1071677 | O-RING, 2-025, BUNA |
| 26 | 1 | 1071903 | PLUG, PIPE, 1/8" MNPT |
| 27 | 1 | 1074352 | CAP - SAC (CAST IRON) |

| SPRING ASSIST OPEN MODEL | | | |
|--------------------------|------|-------------|--------------------------|
| ITEM NO. | QTY. | PART NUMBER | DESCRIPTION |
| 28 | 1 | 1074436 | WASHER, CENTERING, BRASS |
| 29 | 1 | 1078692 | SPRING, COMPRESSION |

| REPAIR PARTS KITS | |
|---|------------------|
| DESCRIPTION | PART NO. |
| INT. PARTS KIT (NORM. CLOSED) CONSISTS OF STANDARD ITEM NO'S 4, 7, 10, 17, 18, 19, 21 | 1070512 (AV6-RG) |
| INT. PARTS KIT (SPRING ASSIST CLOSED) CONSISTS OF STANDARD ITEM NO'S 23 & 24 | 1070513 (AV6-SC) |
| INT. PARTS KIT (SPRING ASSIST OPEN) CONSISTS OF STANDARD ITEM NO'S 28 & 29 | 1070515 (AV6-SO) |

| CONVERSION KITS | |
|--|-------------------|
| DESCRIPTION | PART NO. |
| CONVERSION KIT (SPRING ASSIST CLOSED) CONSISTS OF STANDARD ITEM NO'S 23 THRU 27 | 1070514 (AV6-SCC) |
| CONVERSION KIT (SPRING ASSIST OPEN) CONSISTS OF STANDARD ITEM NO'S 28 & 29 | 1070515 (AV6-SO) |

SEE REVERSE SIDE FOR
STANDARD NORMALLY OPEN MODEL

COMPONENTS / ASSEMBLIES TO BE COMPLIANT AND COMPATIBLE WITH EUROPEAN UNION DIRECTIVE 2011/65/EEC (RoHS2) & REGULATION (EC) 1907/2006 (REACH) REQUIREMENTS

THIS DOCUMENT IS SOLELY THE PROPERTY OF AQ Matic VALVE & CONTROLS COMPANY INC. REPRODUCTION, USE DISCLOSURE, OR TRANSMISSION OF THIS DOCUMENT OR DETAILS CONTAINED HEREIN, IN PART OR IN WHOLE, IS PROHIBITED WITHOUT THE WRITTEN CONSENT OF AQ Matic ENGINEERING. THIS DOCUMENT AND ANY COPIES SHALL BE RETURNED TO AQ Matic UPON REQUEST.

DO NOT SCALE DRAWING. DIMS. ARE IN INCHES [mm]
INTERPRET DIMS AND TOLERANCES PER ASME Y14.5M -2009
UNLESS OTHERWISE SPECIFIED:
ALL FINISHED MACHINED SURFACES 125 √ OR BETTER.
TOLERANCES:
ANGLES: ± 1°
1 PLACE .X: ± .015 [0.38]
2 PLACE .XX: ± .01 [0.3]
3 PLACE .XXX: ± .005 [0.13]

| | | |
|------------------------|-----------|------|
| THIRD ANGLE PROJECTION | APPROVALS | DATE |
| | DRAWN | |
| | APPROVED | |
| | CHECKED | |

AQ Matic Valve & Controls Company Inc.

TITLE: CATALOG SHEET, AV6
DIAPHRAGM VALVE STANDARD MODEL

SIZE: **B** DWG NO.: BR1077638 REV: Q

SCALE: 1:2 SHEET 2 OF 2