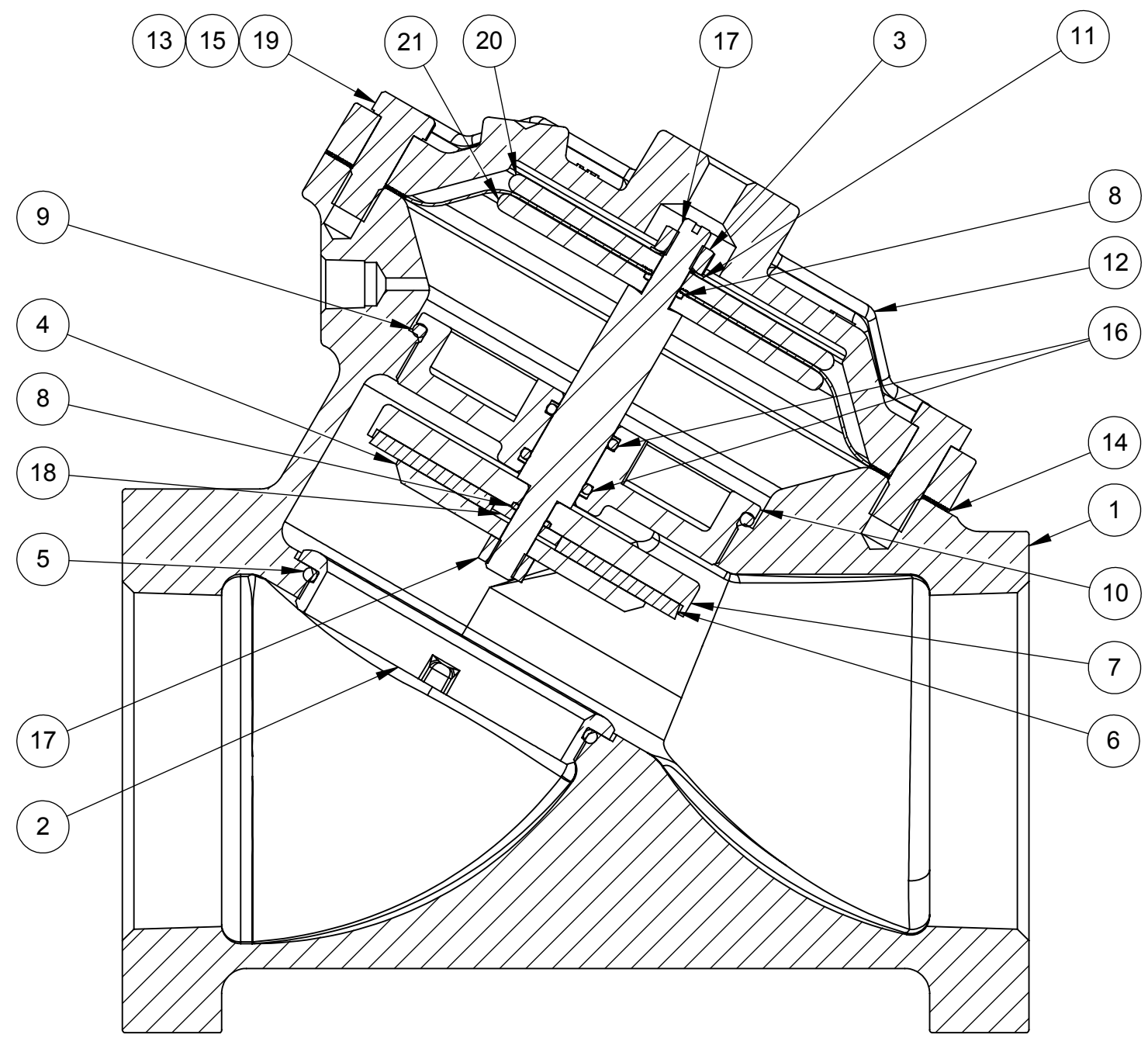


NOTE:  
 1. AMERICAN NATIONAL STANDARD TAPER PIPE THREADS (NPT) PER ANSI B2.1-1968  
 2. VALVES AVAILABLE WITH B.S.P.T. END CONNECTIONS.



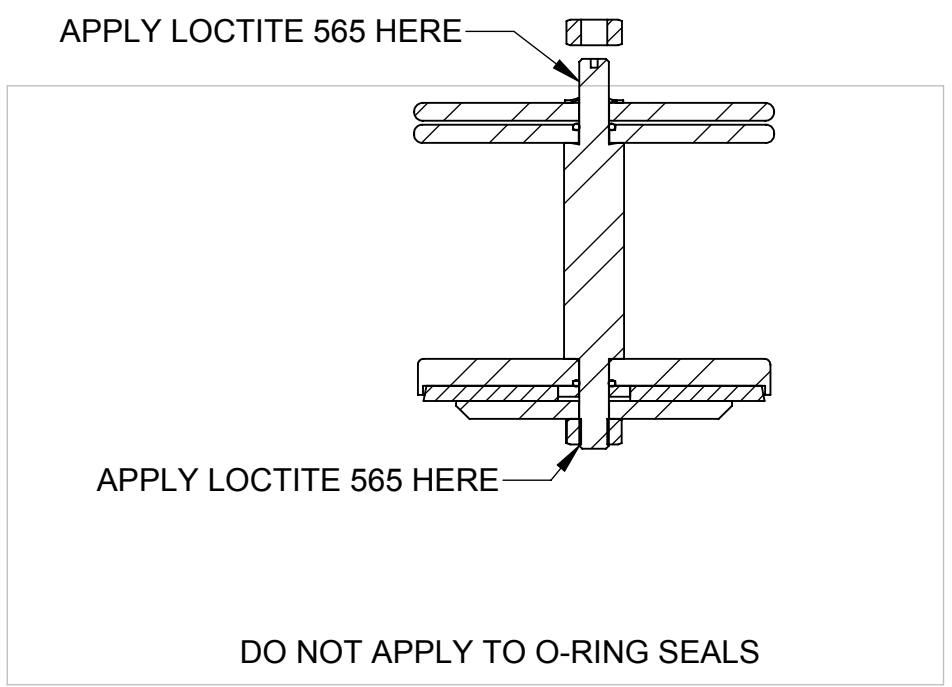
**NORMALLY OPEN (STANDARD)**

REVISIONS					
ZONE	ECN	REV.	DESCRIPTION	DATE	APP'D
	102056	K	REDRAWN - FORM # NOW DWG # (WAS 1084043), 1-1074495-WAS:1074493, 2-1074479-WAS: 1074478	6-4-13	NBE
	103665	L	ITEM #11 WAS: QTY -2.	19AUG14	TJM
	103964	M	1-ITEM #11 WAS: 1073594, 2-UPDATED TITLE BLOCKS	10NOV4	TJM
	1001	N	AQ Matic update & verified part numbers	17JAN17	MGS

ITEM NO.	DESCRIPTION	PART NUMBER	QTY.
1	BODY, 427, CAST IRON	THREADED	1074446
		FLANGED	1083918
2	SEAT, 427, MACHINING	BRASS	1074505
3	NUT, HEX, 5/16"-24	SS	1263853
4	PLATE, DISC	(303 SS)	1074495
5	O-RING, ORV-233	FKM	1071826
6	DISC, 427	HYCAR	1074490
		TELFON	1074491
7	DISC HOLDER, ALUM/BRONZE		1074483
8	O-RING, -011	FKM	1071786
9	O-RING, -237	FKM	1071828
10	SHAFT GUIDE, MACHINING		1074479
11	LOCKWASHER, 5/16", INTERNAL TOOTH		1073590
12	CAP, 427, MACHINING	CAST IRON	1074454
13	SCREW, 3/8-16 X 1 1/2", HX HD	PLATED STEEL	1072405
			6
14	DIAPHRAGM SERIES 427,	BUNA-N	1074475
	DIAPHRAGM SERIES 427,	FKM	1074477
15	HEX NUT, 3/8-16	PLATED STEEL	1071658
16	O-RING, -114	ALFAS	1071662
17	SHAFT, 427, NO		1074496
18	SPACER, BRASS		1074382
19	HEX HEAD CAP SCREW, 3/8-16X 1.00	STAINLESS STEEL	19768
20	PLATE, UPPER DIAPHRAGM		1074472
21	DIAPH PLT, 427,LWR, MACH	SS	1074473

ASSEMBLY TOOLS	
DESCRIPTION	PART NO.
FOR INSTALLATION & REMOVAL OF SHAFT GUIDE (ITEM #10) (NOT SHOWN)	1-3/16" HEX SOCKET

REPAIR PARTS KITS		
DESCRIPTION	PART NO.	
DIAPHRAGM & SEALS KIT CONSISTS OF ITEM NO'S 3(2),5,6,8(2),9,14,16(2)	1070110 (AV7-RA)	1070516(AV7-RAHT)
	INCLUDES DISC 1074490 (427-JH), DIAPHRAGM 1074475 (427-FB)	
INT. PARTS KIT (NORM. OPEN) CONSISTS OF STANDARD ITEM NO'S 4,7,10,11,17,18,20,21	1070517 (AV7-RF)	
SEAT (ITEM NO. 2)	1074505	



SEE REVERSE SIDE FOR CONFIGURATION OPTIONS

COMPONENTS / ASSEMBLIES TO BE COMPLIANT AND COMPATIBLE WITH EUROPEAN UNION DIRECTIVE 2011/65/EEC (RoHS2) & REGULATION (EC)1907/2006 (REACH) REQUIREMENTS

THIS DOCUMENT IS SOLELY THE PROPERTY OF AQ Matic VALVE & CONTROLS COMPANY INC. REPRODUCTION, USE DISCLOSURE, OR TRANSMISSION OF THIS DOCUMENT OR DETAILS CONTAINED HEREIN, IN PART OR IN WHOLE, IS PROHIBITED WITHOUT THE WRITTEN CONSENT OF AQ Matic ENGINEERING. THIS DOCUMENT AND ANY COPIES SHALL BE RETURNED TO AQ Matic UPON REQUEST.

DO NOT SCALE DRAWING. DIMS. ARE IN INCHES [mm]  
 INTERPRET DIMS AND TOLERANCES PER ASME Y14.5M -2009  
 UNLESS OTHERWISE SPECIFIED:  
 ALL FINISHED MACHINED SURFACES 125 √ OR BETTER.  
 TOLERANCES:  
 ANGLES: ± 1°  
 1 PLACE .X: ± .015 [0.38]  
 2 PLACE .XX: ± .01 [0.3]  
 3 PLACE .XXX: ± .005 [0.13]

THIRD ANGLE PROJECTION	APPROVALS	DATE
	NE	10-20-11
	CHECKED	

**AQ Matic** Valve & Controls Company Inc.

TITLE: **CATALOG SHEET, AV7 DIAPHRAGM VALVE STANDARD MODEL**

SIZE: **B** DWG NO.: **BR1077639** REV: **N**

SCALE: 1:2 SHEET 1 OF 2

5

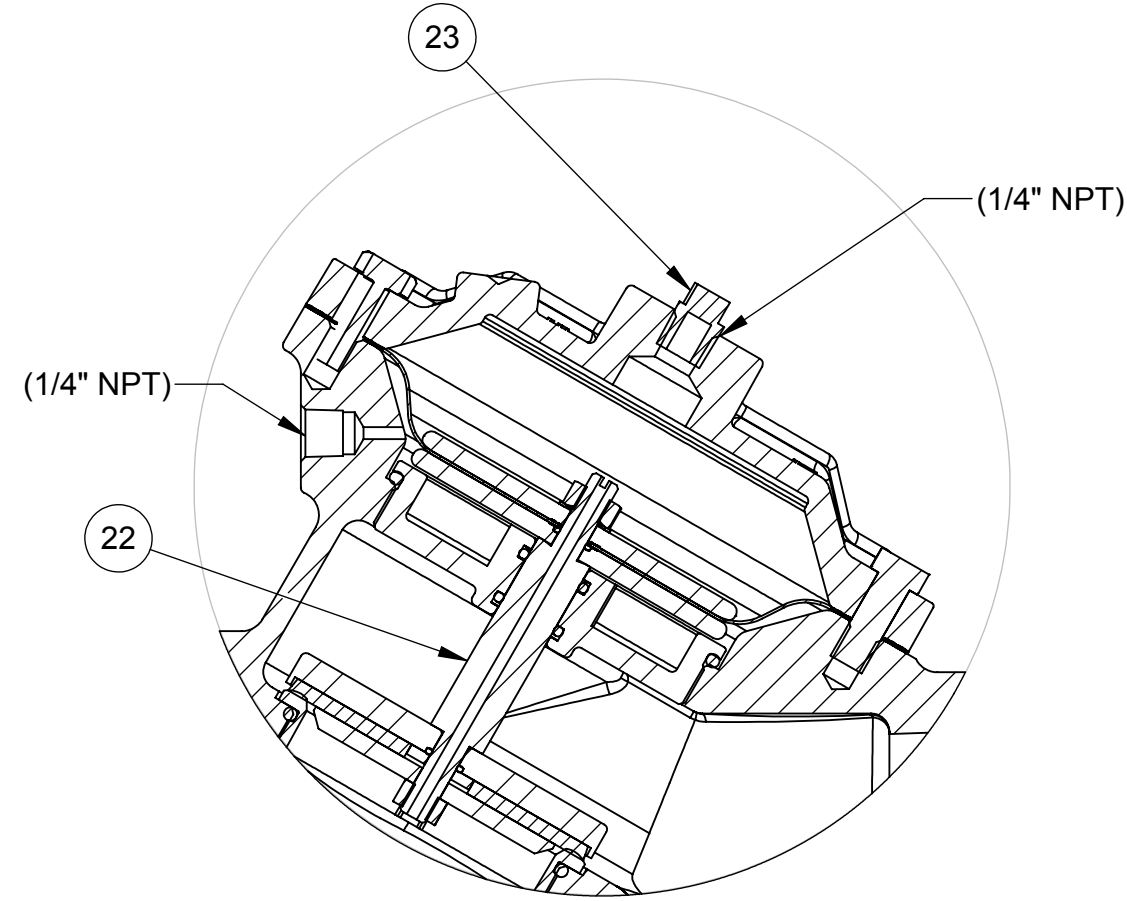
4

3

2

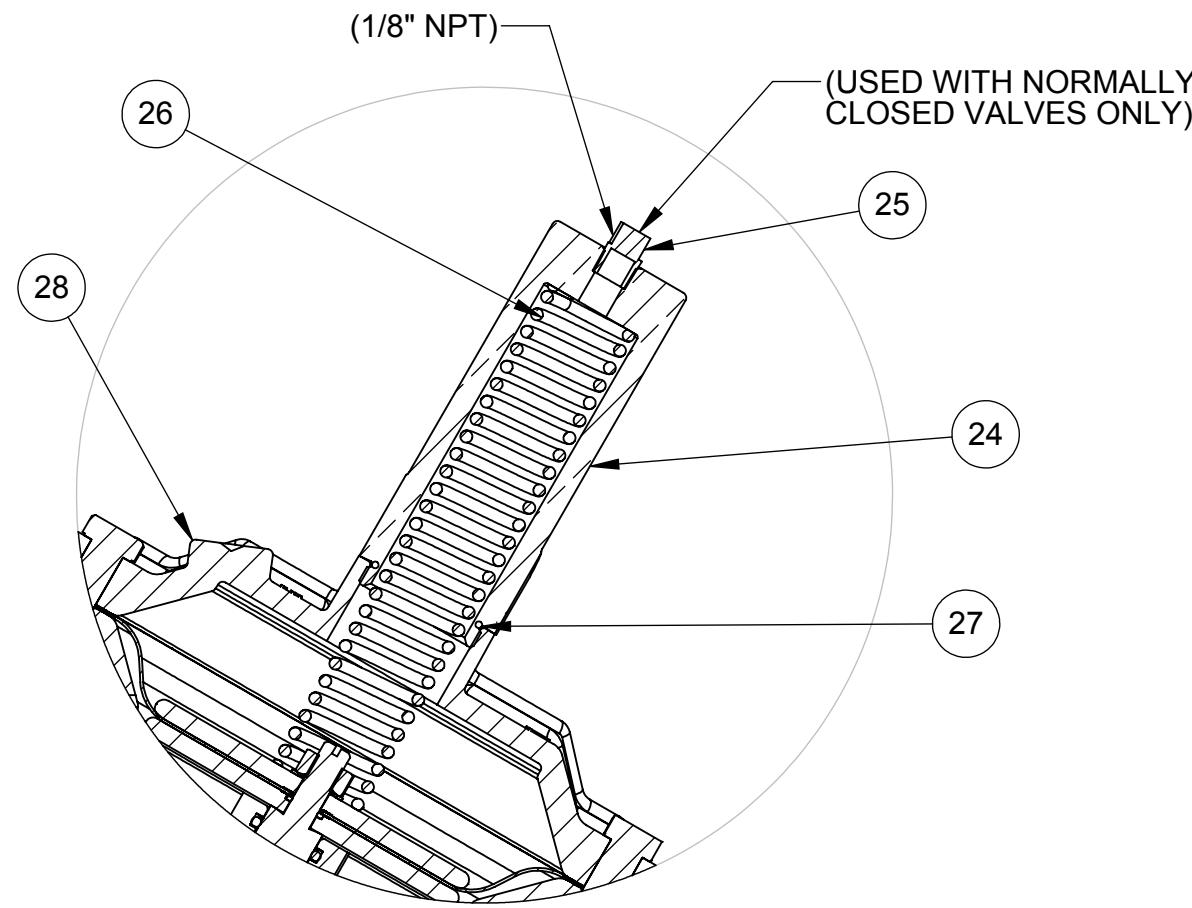
1

REVISIONS					
ZONE	ECN	REV.	DESCRIPTION	DATE	APP'D
SEE SHEET 1 FOR LIST OF CHANGES					



1269740 (VAVJ-0030-90000) (THREADED)  
 1242257 (VAVJ-3030-90000) (FLANGED)

**NORMALLY CLOSED**



3018900 (VAVJ-0002-90000) (THREADED)  
 1080797 (VAVJ-3002-90000) (FLANGED)

**SPRING ASSIST CLOSED**

**NORMALLY CLOSED MODEL**

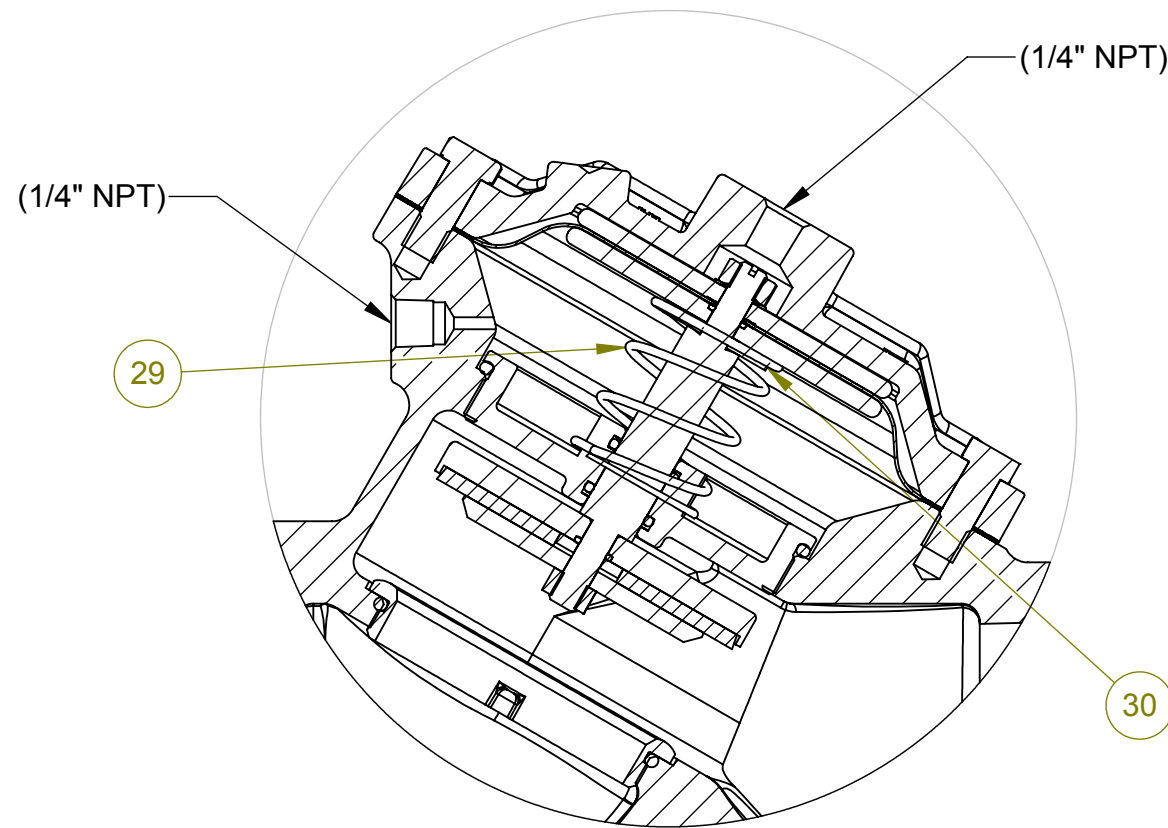
ITEM NO.	DESCRIPTION	PART NUMBER	QTY.
22	SHAFT, 427, NC	1074499	1
23	MALE PIPE PLUG PLATED STEEL	1071918	1

**SPRING ASSIST CLOSED MODEL**

ITEM NO.	DESCRIPTION	PART NUMBER	QTY.
24	NUT, SPRING RETAINER BRASS	1074431	1
25	MALE PIPE PLUGS (1/8\"/>		

**SPRING ASSIST OPEN MODEL**

ITEM NO.	DESCRIPTION	PART NUMBER	QTY.
29	SPRING, COMPRESSION	1078692	1
30	WASHER, CENTERING BRASS	1074436	1



1072502 (VAVJ-0001-90000) (THREADED)  
 1072509 (VAVJ-3001-90000) (FLANGED)

**SPRING ASSIST OPEN**

REPAIR PARTS KITS	
DESCRIPTION	PART NO.
INT. PARTS KIT (NORM. CLOSED) CONSISTS OF STANDARD ITEM NO'S 4,7,10,11,18,20,21,23	BR1070518 (AV7-RG)
INT. PARTS KIT (SPRING ASSIST CLOSED) CONSISTS OF STANDARD ITEM NO'S 26,27	BR1070513 (AVG-SC)
INT. PARTS KIT (SPRING ASSIST OPEN) CONSISTS OF STANDARD ITEM NO'S 29, 30	BR1070520 (AV7-SO)

CONVERSION KITS	
DESCRIPTION	PART NO.
CONVERSION KIT (SPRING ASSIST CLOSED) CONSISTS OF STANDARD ITEM NO'S 24 THRU 28	BR1070519 (AV-SCC)
CONVERSION KIT (SPRING ASSIST OPEN) CONSISTS OF STANDARD ITEM NO'S 29, 30	BR1070520 (AV7-SO)

SEE REVERSE SIDE FOR STANDARD NORMALLY OPEN MODEL

COMPONENTS / ASSEMBLIES TO BE COMPLIANT AND COMPATIBLE WITH EUROPEAN UNION DIRECTIVE 2011/65/EEC (RoHS2) & REGULATION (EC)1907/2006 (REACH) REQUIREMENTS

THIS DOCUMENT IS SOLELY THE PROPERTY OF AQ Matic VALVE & CONTROLS COMPANY INC. REPRODUCTION, USE, DISCLOSURE, OR TRANSMISSION OF THIS DOCUMENT OR DETAILS CONTAINED HEREIN, IN PART OR IN WHOLE, IS PROHIBITED WITHOUT THE WRITTEN CONSENT OF AQ Matic ENGINEERING. THIS DOCUMENT AND ANY COPIES SHALL BE RETURNED TO AQ Matic UPON REQUEST.

DO NOT SCALE DRAWING. DIMS. ARE IN INCHES [mm]  
 INTERPRET DIMS AND TOLERANCES PER ASME Y14.5M -2009  
 UNLESS OTHERWISE SPECIFIED:  
 ALL FINISHED MACHINED SURFACES 125 ✓ OR BETTER.  
 TOLERANCES:  
 ANGLES : ± 1°  
 1 PLACE .X: ± .015 [0.38]  
 2 PLACE .XX: ± .01 [0.3]  
 3 PLACE .XXX: ± .005 [0.13]

THIRD ANGLE PROJECTION	APPROVALS	DATE	
DRAWN	TITLE		
APPROVED	CATALOG SHEET, AV7		
CHECKED	DIAPHRAGM VALVE STANDARD MODEL		
SCALE 1:1			SIZE <b>B</b> DWG NO. <b>BR1077639</b> REV <b>N</b>
SHEET 2 OF 2			

5

4

3

2

1