

5

4

3

2

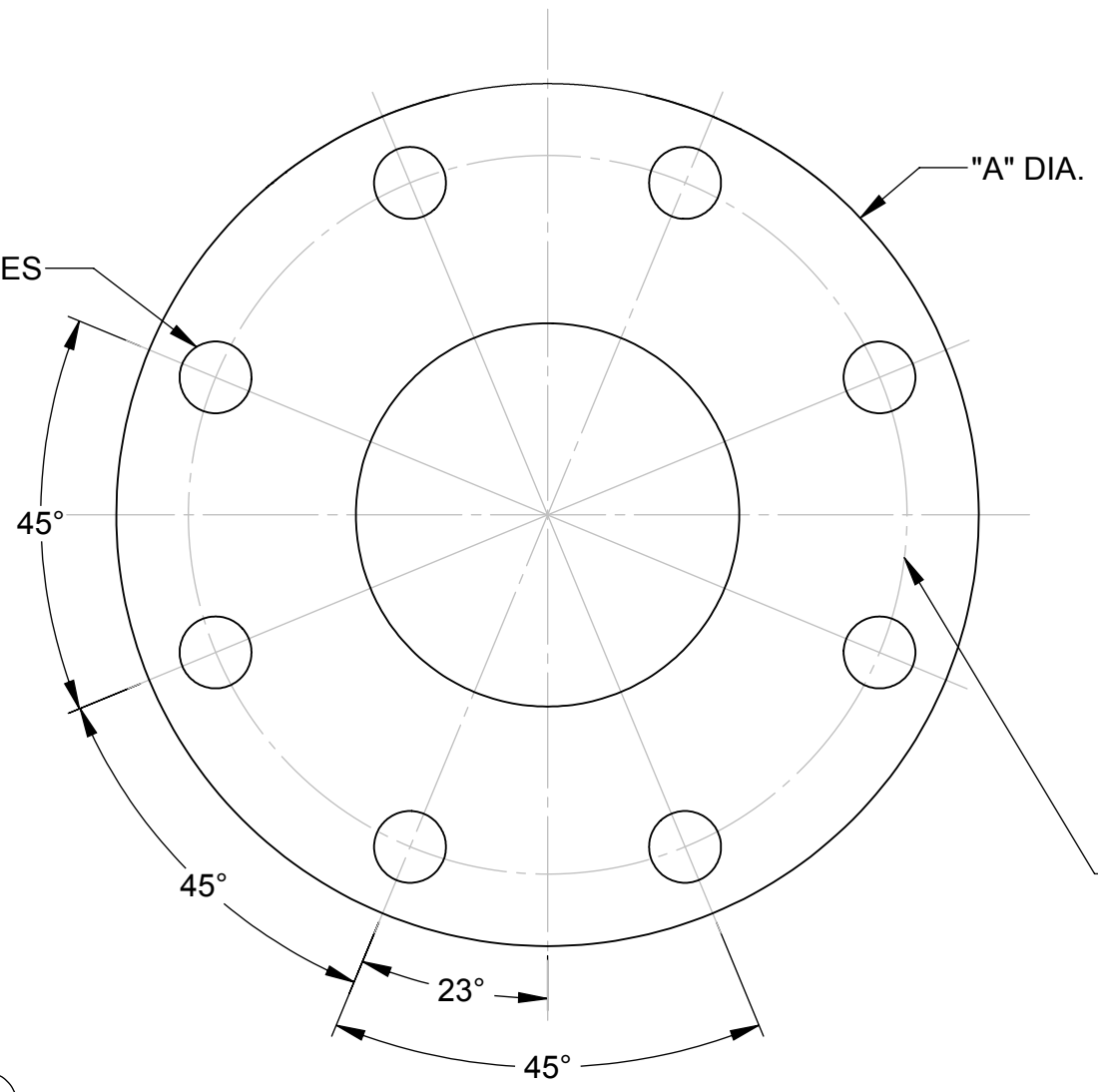
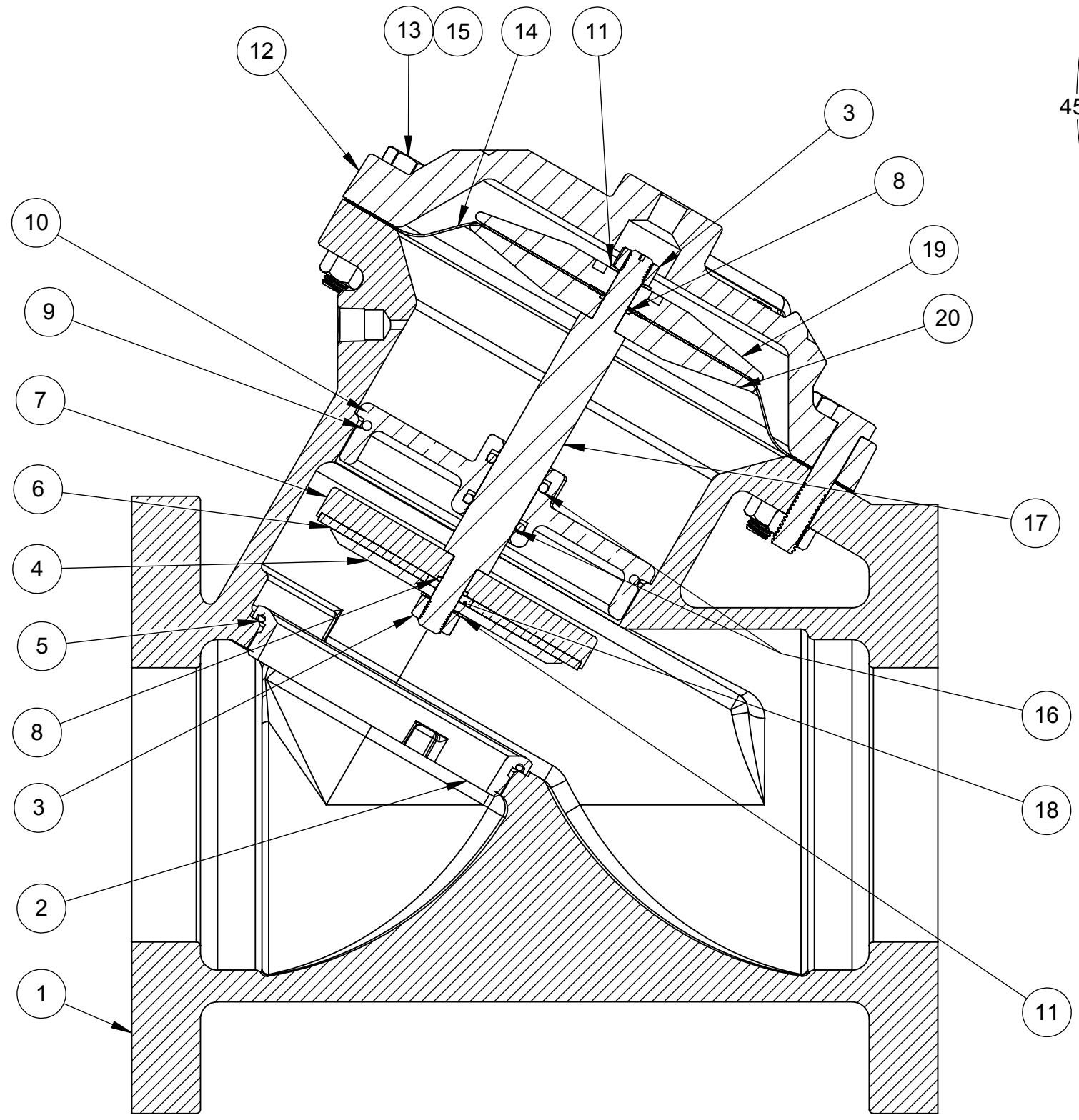
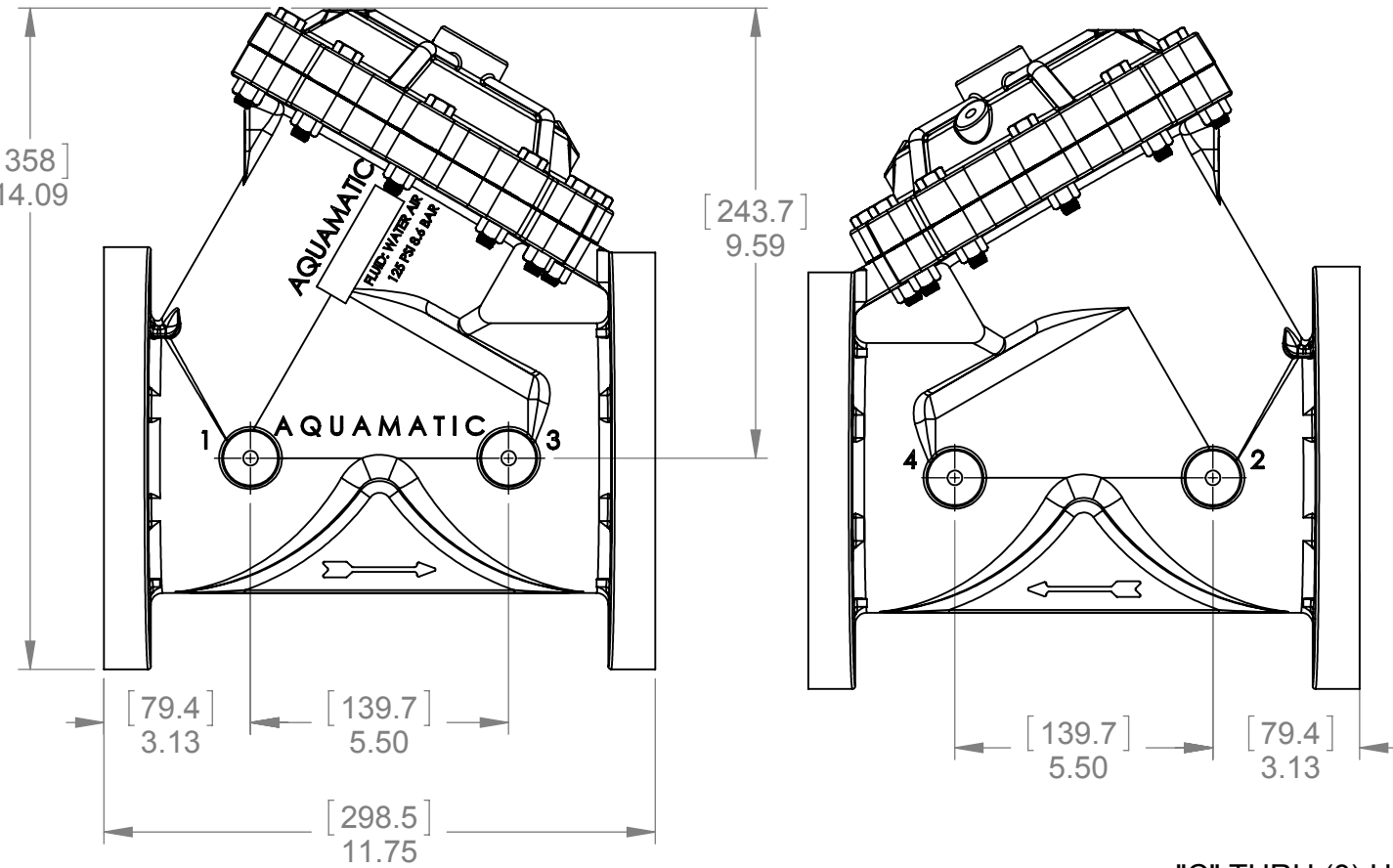
1

### REPAIR PARTS KIT

DESCRIPTION	PART NO.	
DIAPHRAGM & SEALS KIT CONSISTS OF ITEM NO'S 3(2), 5, 6, 8(2), 9, 14, 16(2)	1070111 (AV8-RA)	1070521 (AV8-RAHT)
	INCLUDES DISC 1074571 (428-JH) DIAPHRAGM 1074557 (428-FB)	INCLUDES DISC 1074572 (428-JT) DIAPHRAGM 1074559 (428-FV)
INT. PARTS KIT (NORM. OPEN) CONSISTS OF STANDARD ITEM NO'S 4,7,10,11,17,18,19,20	1070522 (AV8-RF)	
SEAT (ITEM NO. 2)	1074585 (428-MAO)	

### REVISIONS

ZONE	ECN	REV.	DESCRIPTION	DATE	APP'D
	103684	J	REDRAWN IN SOLIDWORKS, FORM # NOW DWG #, ITEM# 4 WAS: 1074575 .ADD'D: ITEM#11, DWG # WAS: 1084044	8/20/14	ANH
	103964	K	ITEM #11 WAS: 1073594	10NOV14	TJM
	105687	L	1-ITEM #10 WAS: 1074560	02MAR16	TJM
	1001	M	AQ Matic update & verified part numbers	17JAN17	MGS



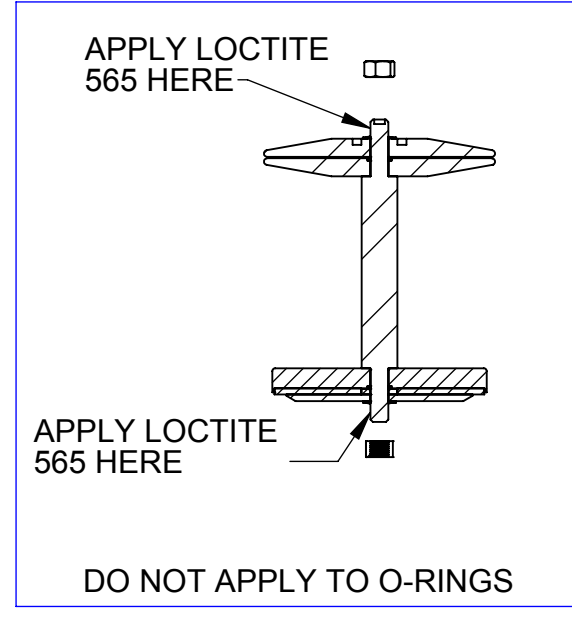
AMERICAN FLANGE PER A.S.A. 16.1 CLASS 125  
METRIC FLANGE PER BS 4504, DIN 10 & ISO R 2084

NO.	DESCRIPTION	STD	PART NO.	QTY
1	BODY	CAST IRON	1074522 (428-A)	1
2	SEAT	BRASS	1074585 (428-MAO)	1
3	HEX NUT(3/8-24)		3001990	2
4	DISC PLATE	SS	43734 (428-KA)	1
5	O-RING	FKM	1071811 (ORV-156)	1
6	DISC	HYCAR	1074571 (428-JH)	1
		GLASS FILLED TEFLON	1074572 (428-JT)	
7	DISC HOLDER	BRASS	1074588 (428-NA)	1
8	O-RING	FKM	1071787 (ORV-012)	2
9	O-RING	FKM	1071832 (ORV-245)	1
10	SHAFT GUIDE	BRASS	1074563	1
11	LOCKWASHER, 3/8", INTERNAL TOOTH		1073591	2
12	CAP	CAST IRON	1074532 (428-C)	1
13	HEX SCREW 3/8"-16	PLATED STEEL	1072406 (SCZ-0027)	11
14	DIAPHRAGM	BUNA N	1074557 (428-FB)	1
		FKM	1074559 (428-FV)	
15	HEX NUT 3/8"-16	PLATED STEEL	1071658 (NUZ-0014)	11
16	O-RING	AFLAS	1071665 (ORA-210)	2
17	SHAFT (NORMALLY OPEN)		1074579 (428-LAA)	1
18	DISC SPACER	BRASS	1074565 (428-HA)	1
19	UPPER DIAPHRAGM PLATE		1074554 (428-DA)	1
20	LOWER DIAPHRAGM PLATE		1074555 (428-DAA)	1

#### NOTE:

1. AMERICAN NATIONAL STANDARD TAPER PIPE THREADS (NPT) PER ANSI B2.1-1968
2. VALVES AVAILABLE WITH B.S.P.T. END CONNECTIONS.

FLANGE STYLE	A	B	C
AMERICAN	9.000	7.500	.750
METRIC	229MM	180MM	18MM



1072513 (VAVK-3000-90000) (4" PIPE SIZE)  
**NORMALLY OPEN (STANDARD)**

SEE SHEET 2 FOR CONFIGURATION OPTIONS

COMPONENTS / ASSEMBLIES TO BE COMPLIANT AND COMPATIBLE WITH EUROPEAN UNION DIRECTIVE 2002/95/EEC (RoHS) REQUIREMENTS

THIS DOCUMENT IS SOLELY THE PROPERTY OF AQ Matic VALVE & CONTROLS COMPANY INC. REPRODUCTION, USE, DISCLOSURE, OR TRANSMISSION OF THIS DOCUMENT OR DETAILS CONTAINED HEREIN, IN PART OR IN WHOLE, IS PROHIBITED WITHOUT THE WRITTEN CONSENT OF AQ Matic ENGINEERING. THIS DOCUMENT AND ANY COPIES SHALL BE RETURNED TO AQ Matic UPON REQUEST.

DO NOT SCALE DRAWING. DIMS. ARE IN INCHES [mm] UNLESS OTHERWISE SPECIFIED.  
ALL FINISHED MACHINED SURFACES 125 √ OR BETTER.  
TOLERANCES:  
ANGLES: ± 1°  
1 PLACE .X: ± .015 [0.38]  
2 PLACE .XX: ± .01 [0.3]  
3 PLACE .XXX: ± .005 [0.13]

THIRD ANGLE PROJECTION	APPROVALS	DATE	
	ANH	8/19/14	

TITLE: CATALOG SHEET, AV8, STANDARD MODEL

SIZE: **B** DWG NO. 1077640 REV M

SCALE: 1:4 SHEET 1 OF 2

5

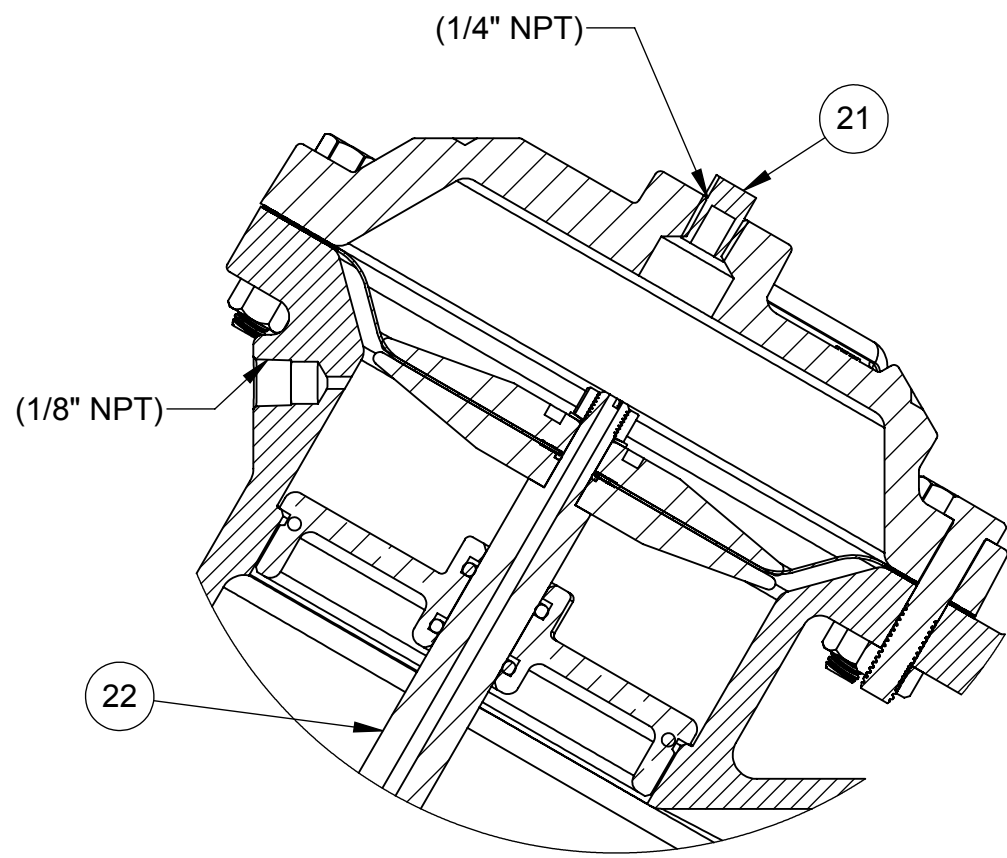
4

3

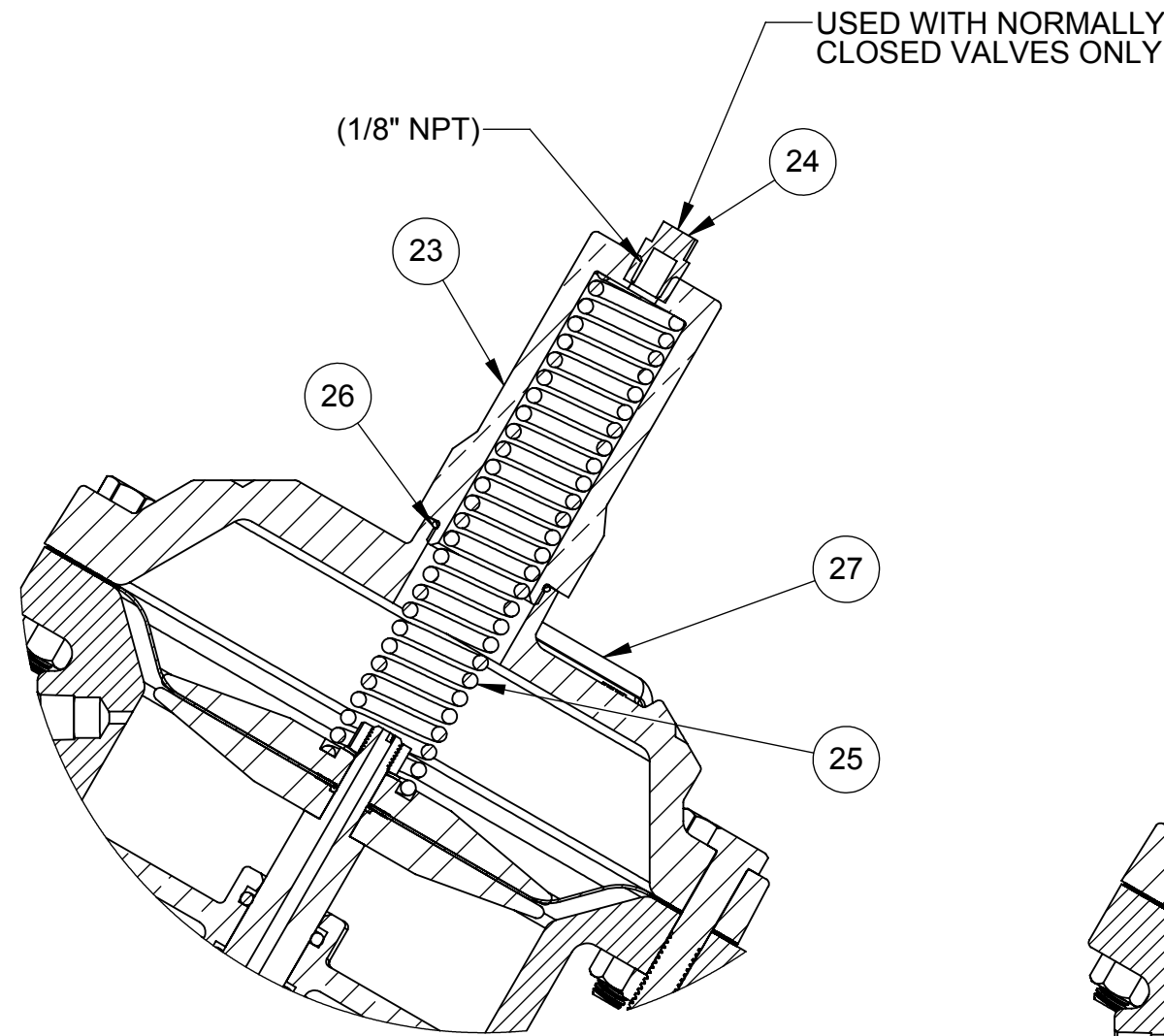
2

1

REVISIONS					
ZONE	ECN	REV.	DESCRIPTION	DATE	APP'D
			SEE SHEET 1 FOR LIST OF CHANGES		

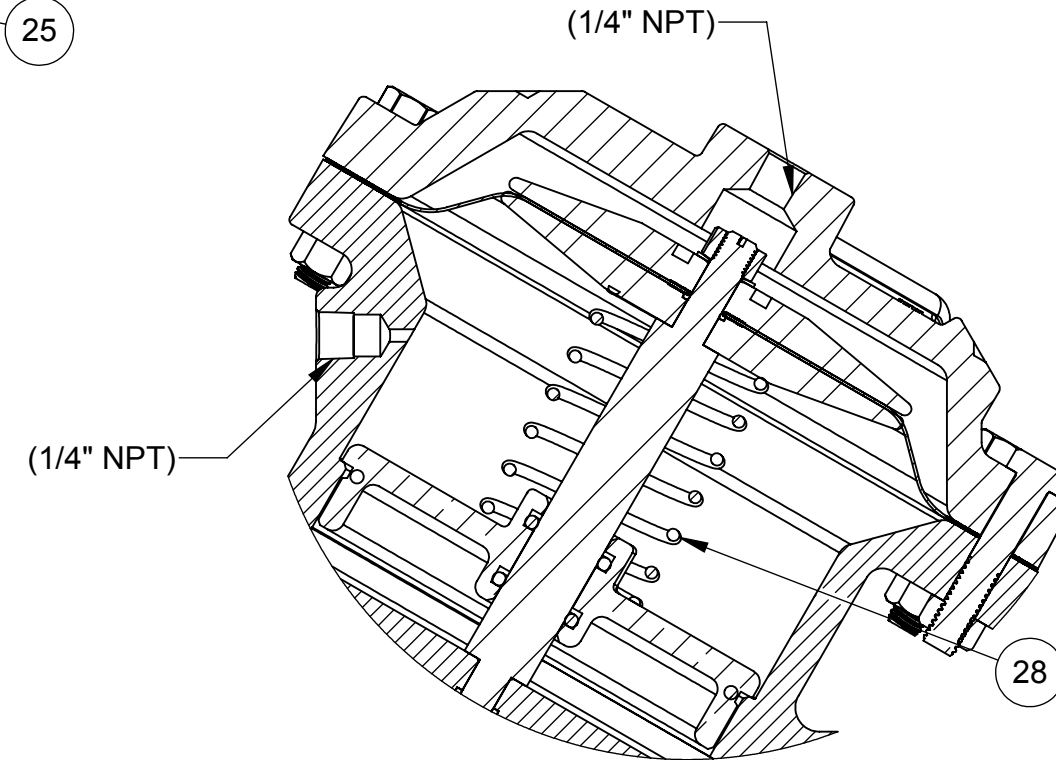


VAVK-3030-90000  
**NORMALLY CLOSED**



1072516 (VAVK-3002-90000)  
**SPRING ASSIST CLOSED**

USED WITH NORMALLY  
CLOSED VALVES ONLY



1072514 (VAVK-3001-90000)  
**SPRING ASSIST OPEN**

NORMALLY CLOSED					
NO.	DESCRIPTION	STD	PART NO.	QTY	
21	PIPE PLUG (1/4" N.P.T.)	CAST IRON	* 1071918 (PLZ-0008)	1	
22	SHAFT (NORMALLY CLOSED)		* 1074582 (458-LLA)	1	

SPRING ASSIST CLOSED					
NO.	DESCRIPTION	STD	PART NO.	QTY	
23	RETAINER NUT	BRASS	* 1074609 (428-TT)	1	
24	PIPE PLUG (1/8" N.P.T.)	BRASS	* 1071903 (PLB-0007)	1	
25	SPRING		* 1074601 (428-SB)	1	
26	O-RING		* 1071677 (ORB-025)	1	
27	CAP	CAST IRON	* 1074540 (428-CC)	1	

SPRING ASSIST OPEN MODEL					
NO.	DESCRIPTION	STD	PART NO.	QTY	
28	SPRING		* 1074605 (428-SOA)	1	

REPAIR PARTS KITS	
DESCRIPTION	PART NO.
INT. PARTS KIT (NORM. CLOSED) CONSISTS OF STANDARD ITEM NO'S 4,7,10,11,18,19,20,25	1070523 (AV8-SCC)
INT. PARTS KIT (SPRING ASSIST CLOSED) CONSISTS OF STANDARD ITEM NO'S 29,30	1070524 (AV8-SC)
IN. PARTS KIT (SPRING ASSIST OPEN) CONSISTS OF STANDARD ITEM NO. 32	1070526 (AV8-SO)

CONVERSION KITS	
DESCRIPTION	PART NO.
CONVERSION KIT (SPRING ASSIST CLOSED) CONSISTS OF STANDARD ITEM NO'S 27-31	1070525 (AV-SCC)
CONVERSION KIT (SPRING ASSIST OPEN) CONSISTS OF STANDARD ITEM NO. 32	1070526 (AV8-SO)

SEE SHEET 1 FOR STANDARD  
NORMALLY OPEN MODEL

<small>THIS DOCUMENT IS SOLELY THE PROPERTY OF AQ Matic VALVE &amp; CONTROLS COMPANY INC. REPRODUCTION, USE, DISCLOSURE, OR TRANSMISSION OF THIS DOCUMENT OR DETAILS CONTAINED HEREIN, IN PART OR IN WHOLE, IS PROHIBITED WITHOUT THE WRITTEN CONSENT OF AQ Matic ENGINEERING. THIS DOCUMENT AND ANY COPIES SHALL BE RETURNED TO AQ Matic UPON REQUEST.</small>		<small>COMPONENTS / ASSEMBLIES TO BE COMPLIANT AND COMPATIBLE WITH EUROPEAN UNION DIRECTIVE 2002/95/EEC (RoHS) REQUIREMENTS</small>
THIRD ANGLE PROJECTION 	APPROVALS ANH DATE 8/19/14	<b>AQ Matic</b> Valve & Controls Company Inc.
<small>DO NOT SCALE DRAWING. DIMS. ARE IN INCHES [mm]          INTERPRET DIMS AND TOLERANCES PER ASME Y14.5M-2009          UNLESS OTHERWISE SPECIFIED:          ALL FINISHED MACHINED SURFACES 125 √ OR BETTER.          TOLERANCES:          ANGLES: ± 1°          1 PLACE .X: ± .015 [0.38]          2 PLACE .XX: ± .01 [0.3]          3 PLACE .XXX: ± .005 [0.13]</small>	DRAWN APPROVED CHECKED	TITLE <b>CATALOG SHEET, AV8,          STANDARD MODEL</b> SIZE <b>B</b> DWG NO. <b>1077640</b> REV <b>M</b> SCALE 1:4 SHEET 2 OF 2

5

4

3

2

1